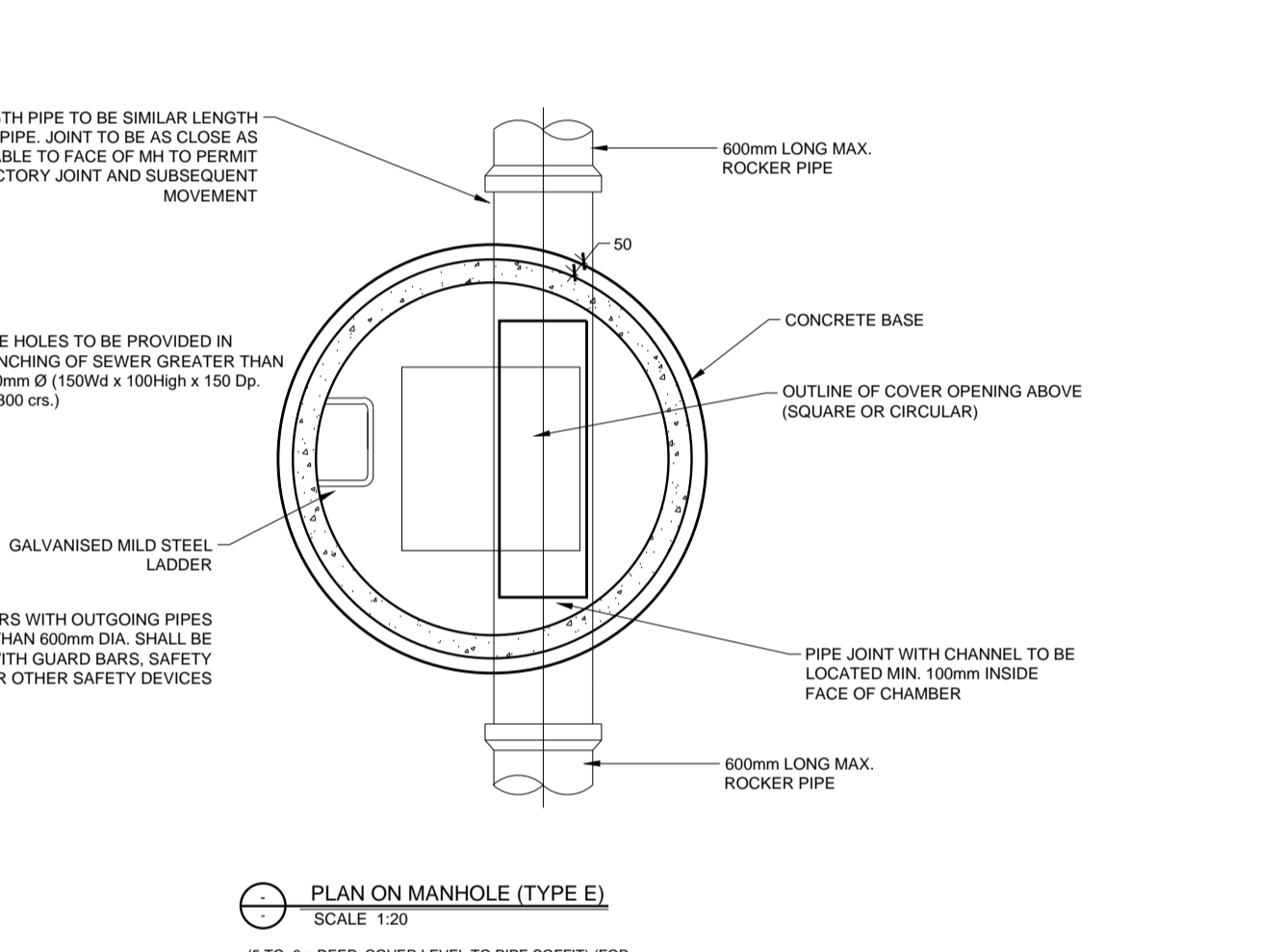
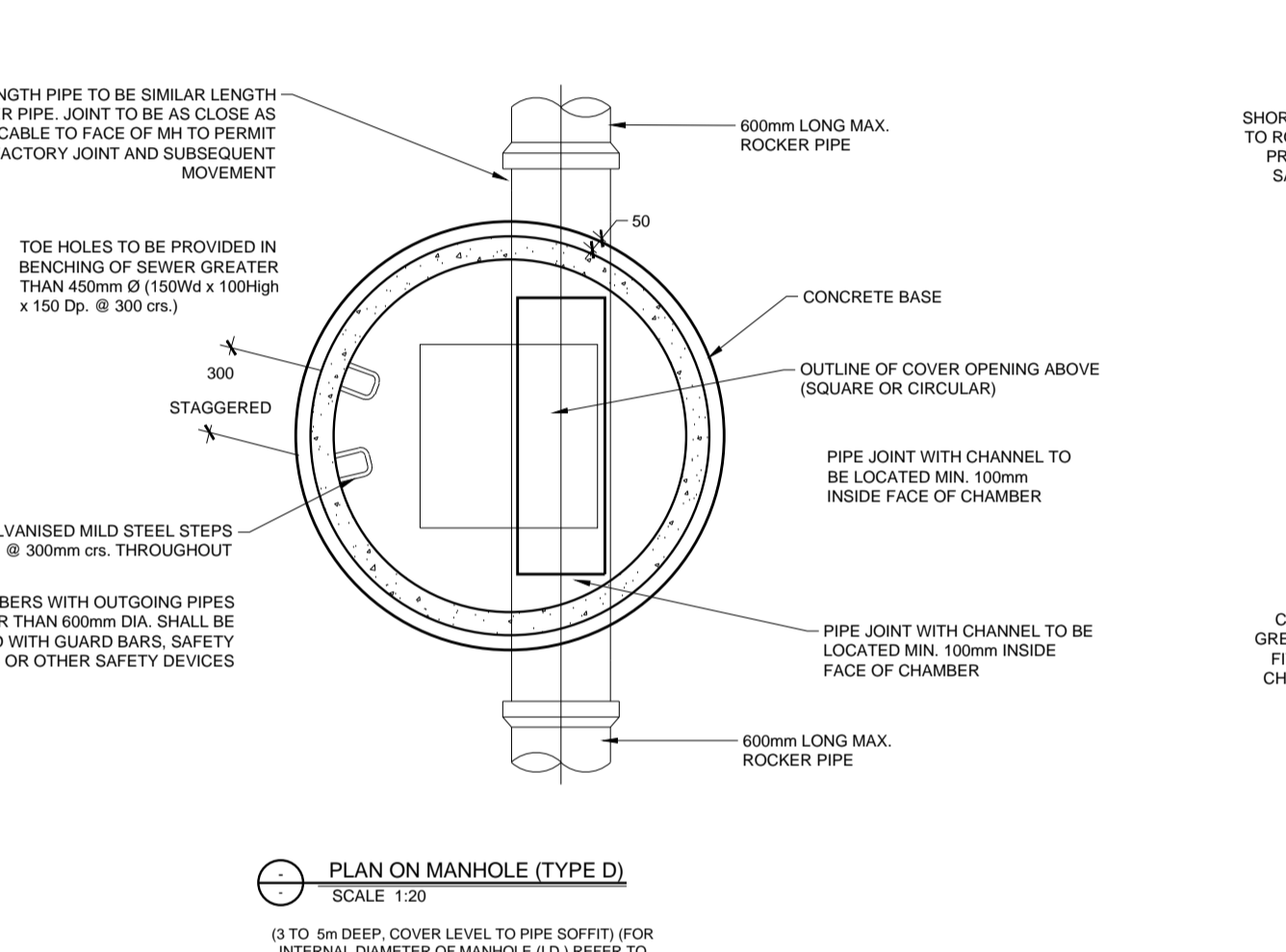
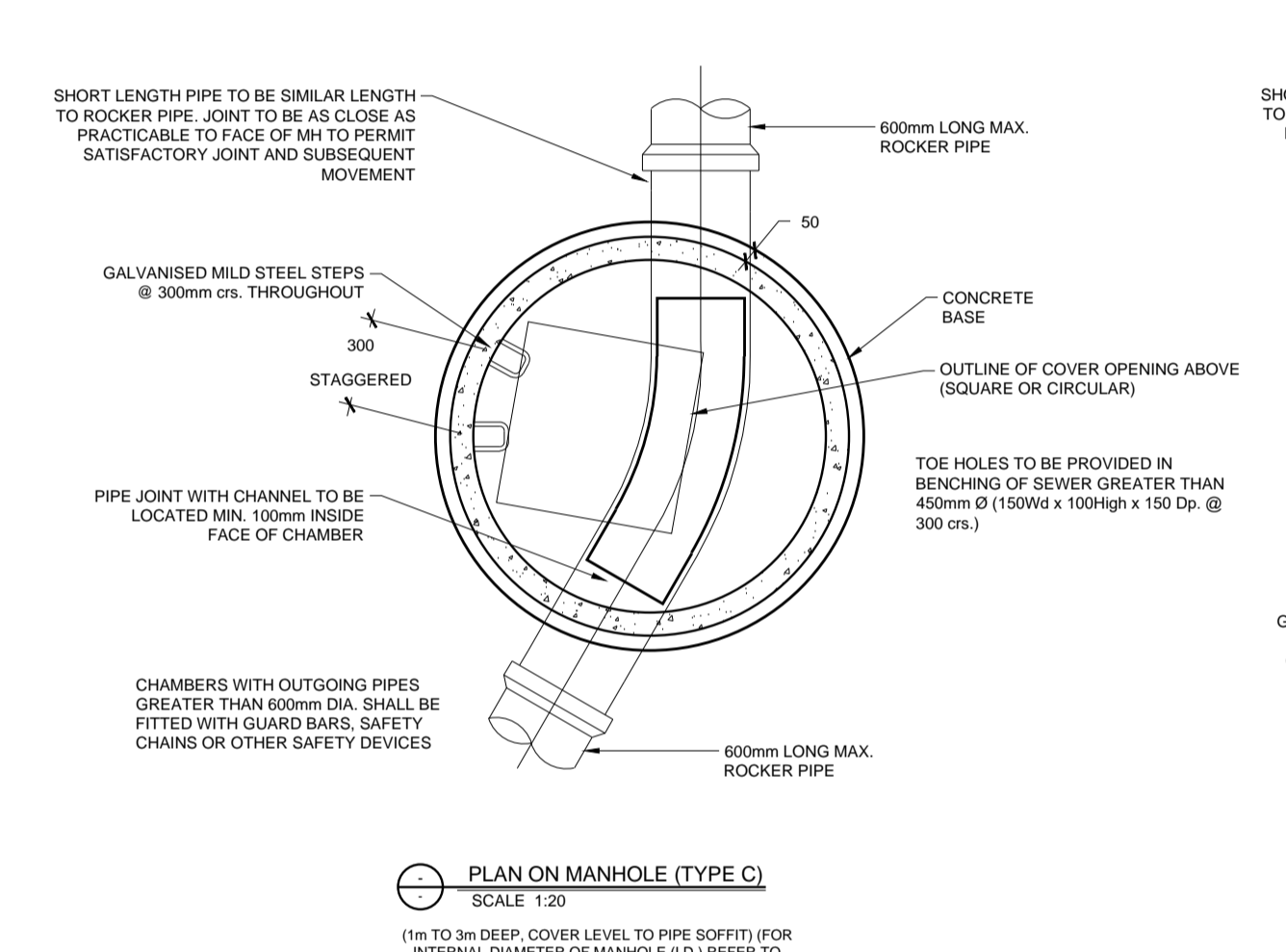
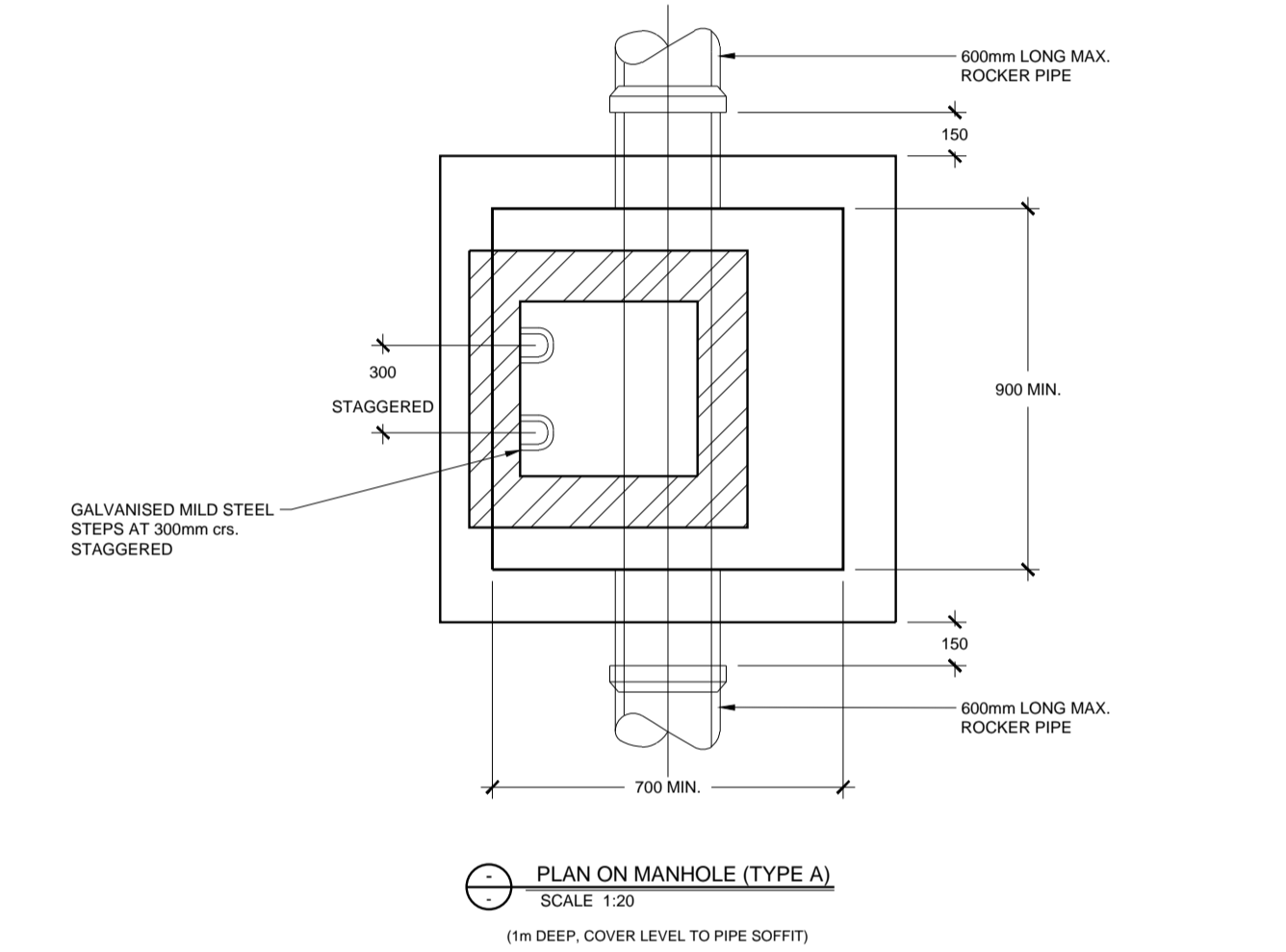
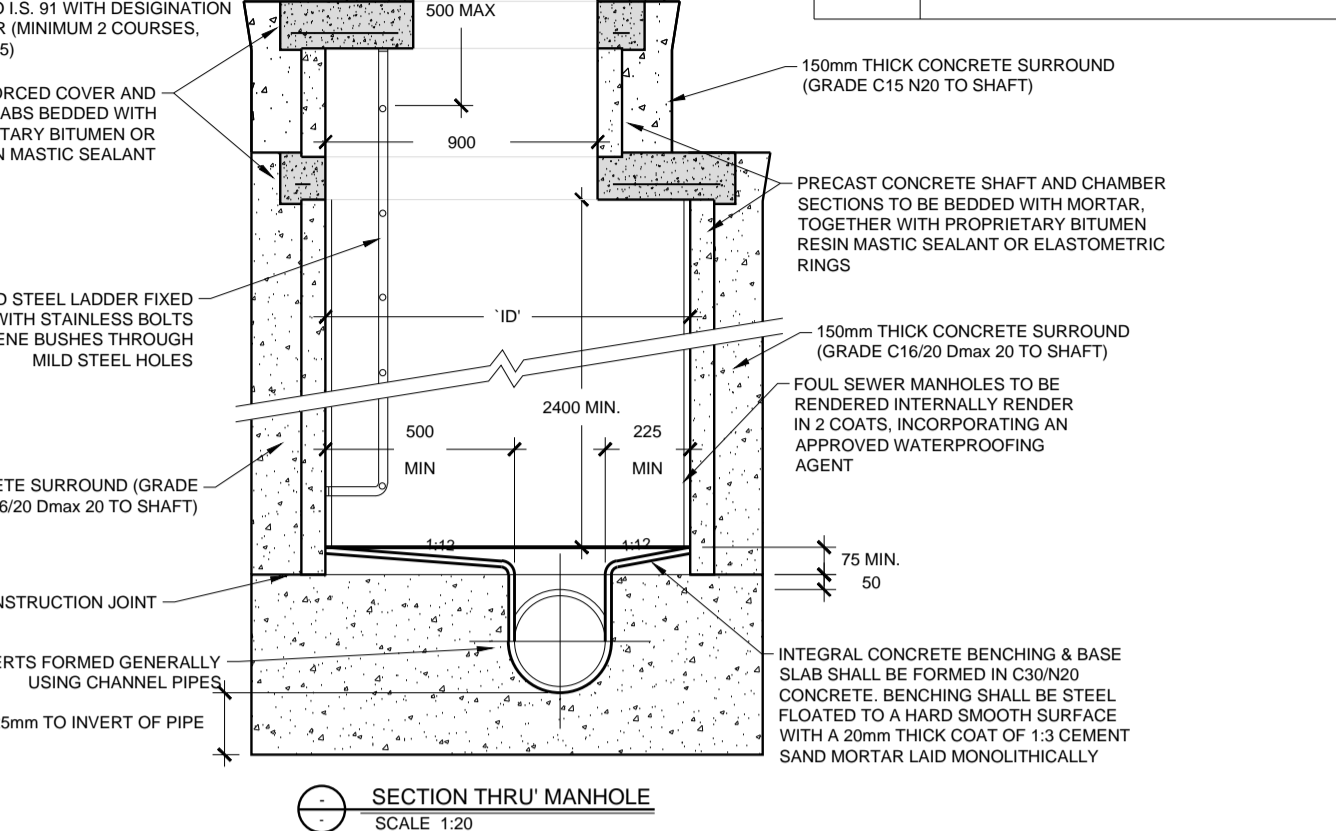
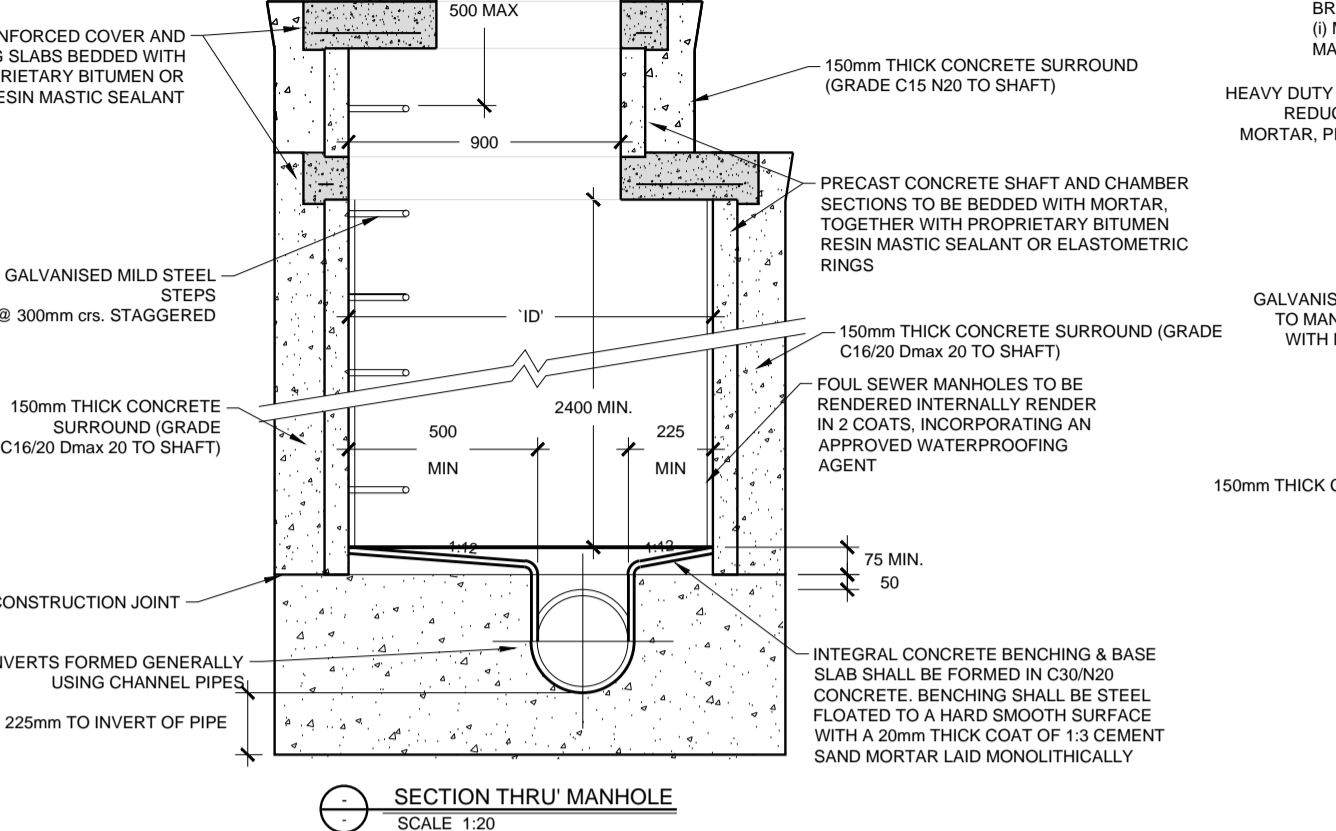
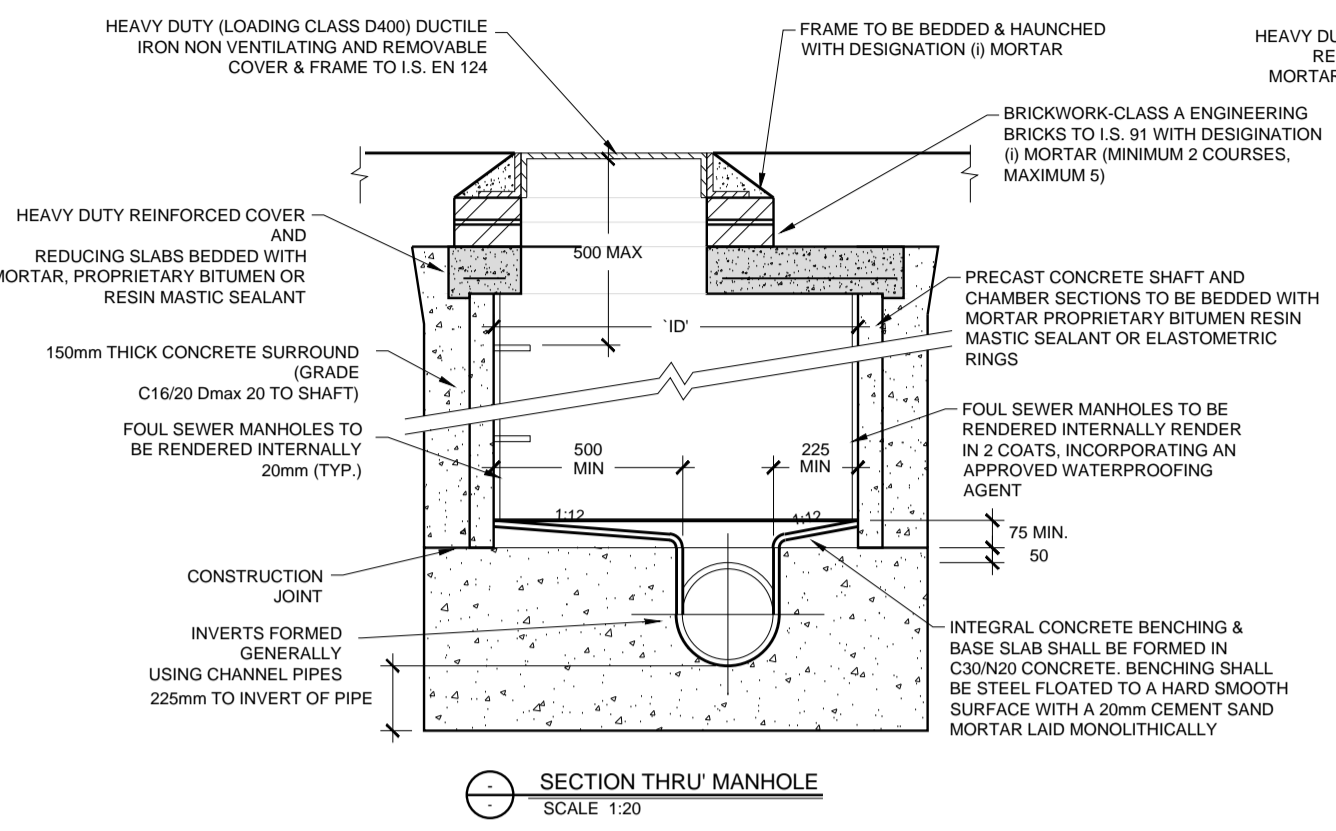
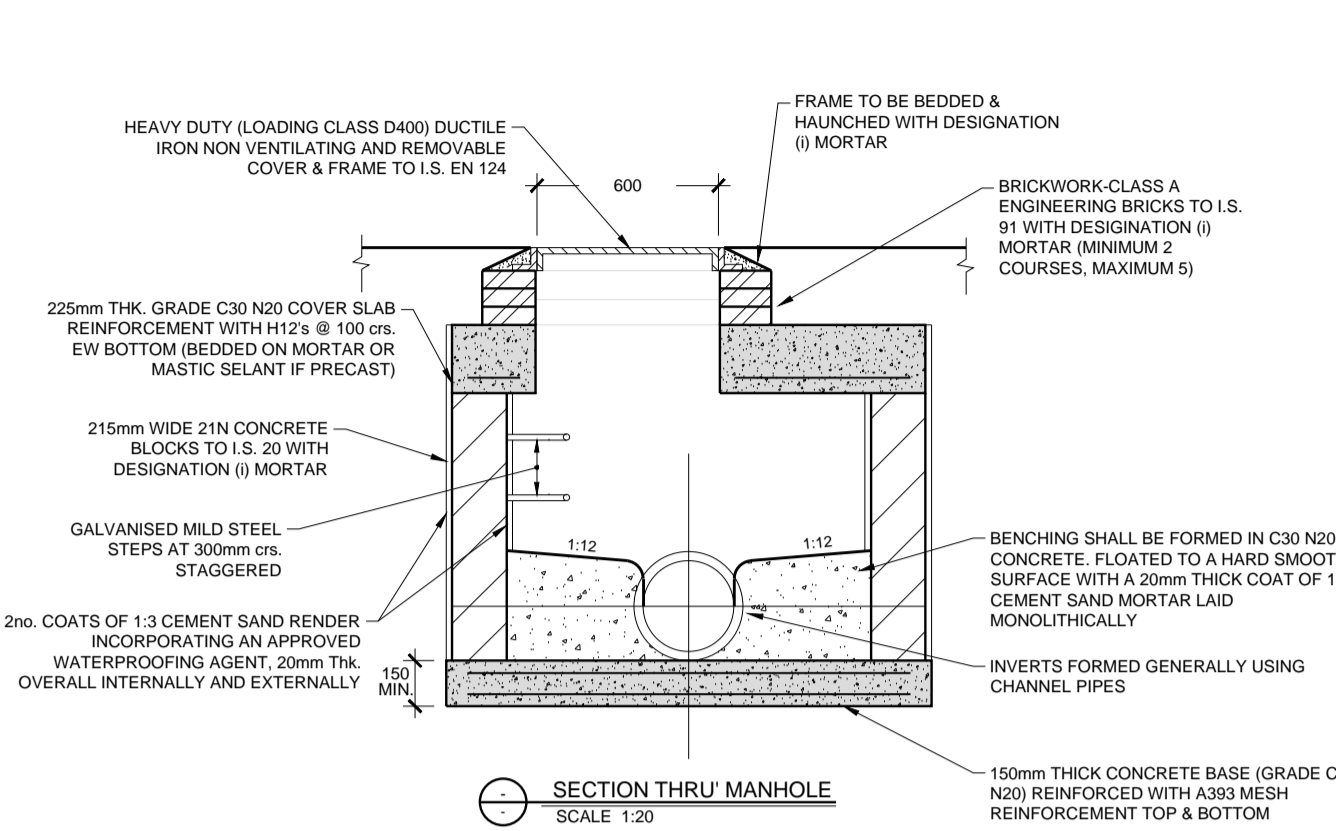
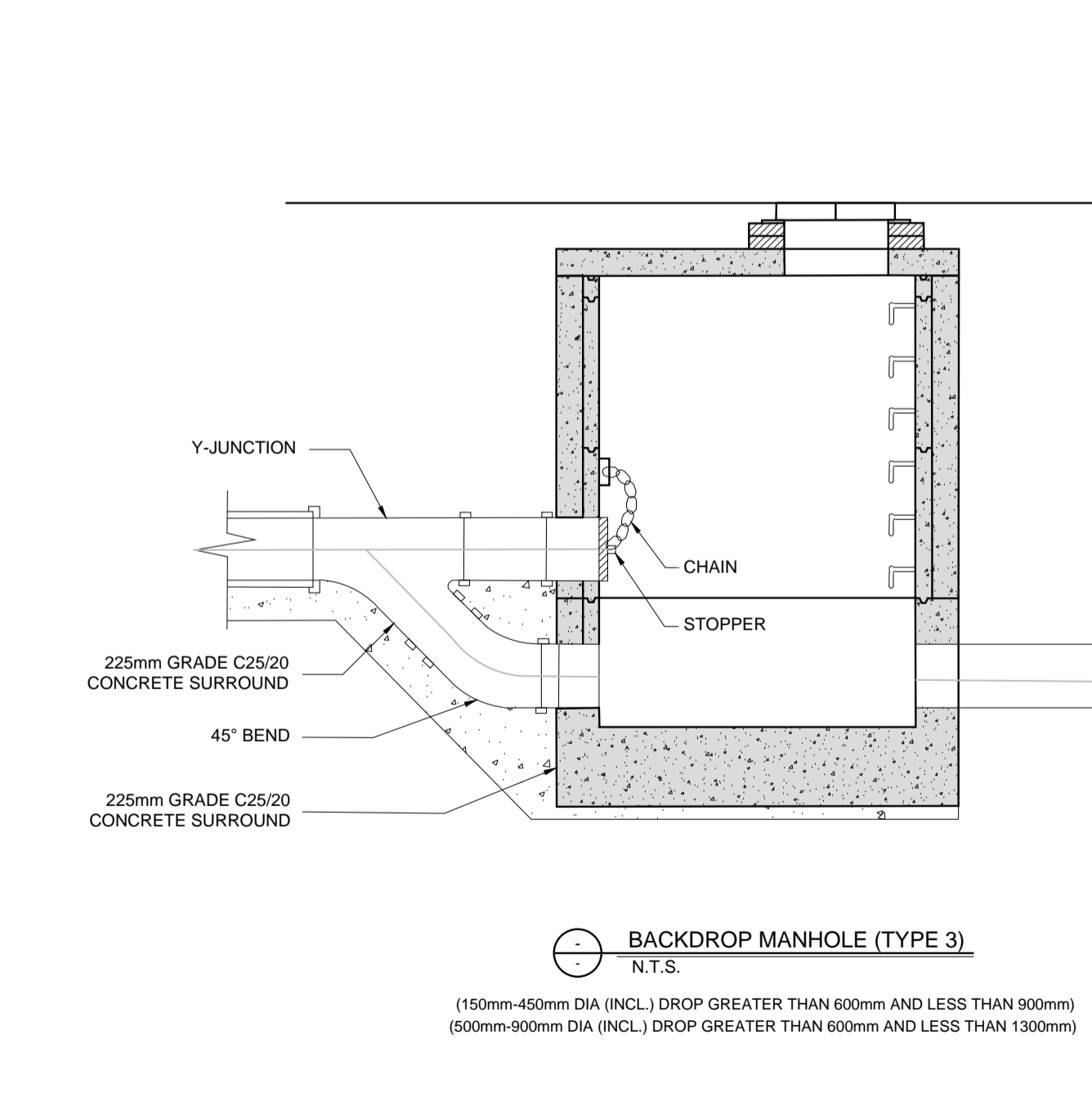
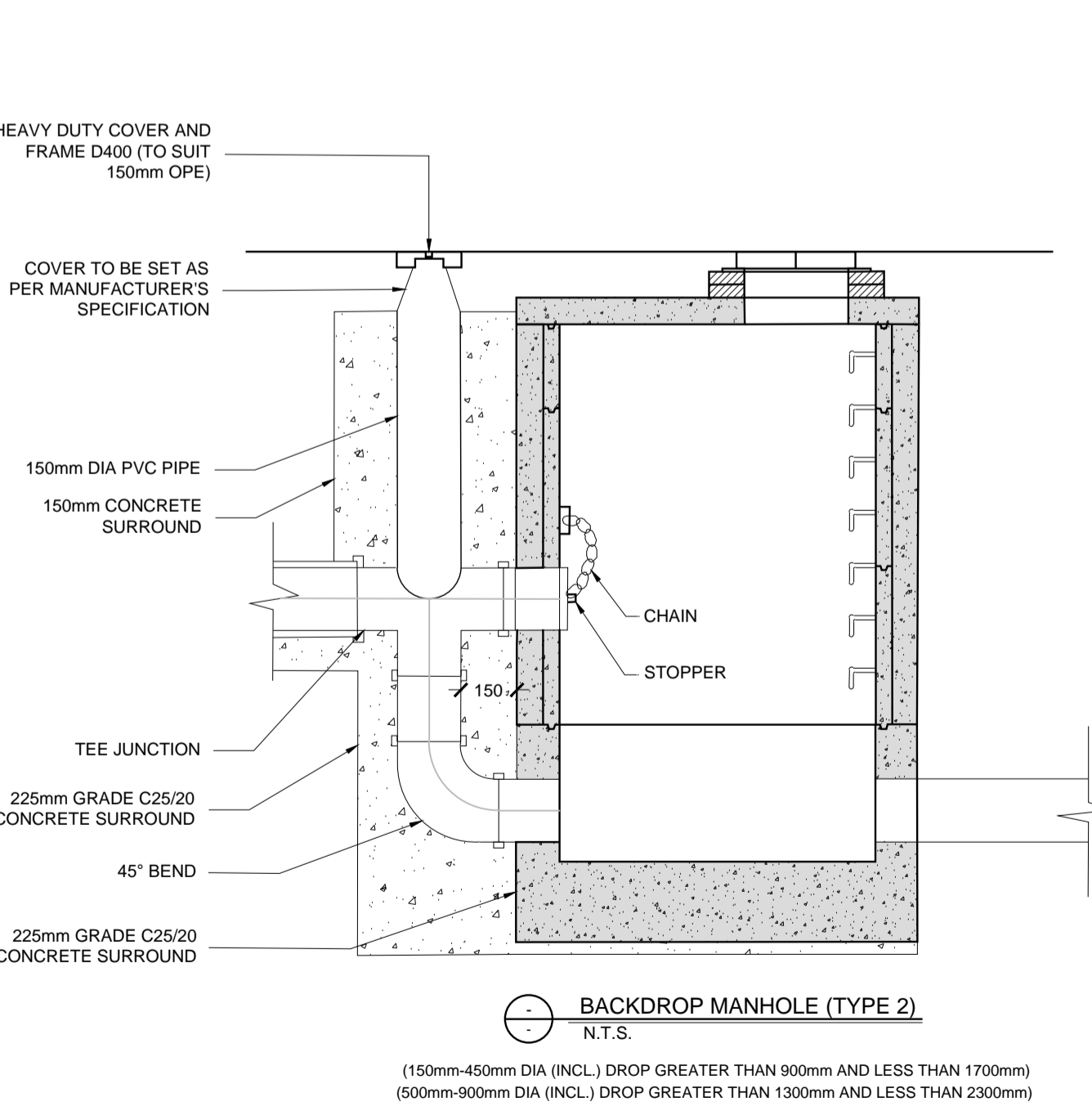
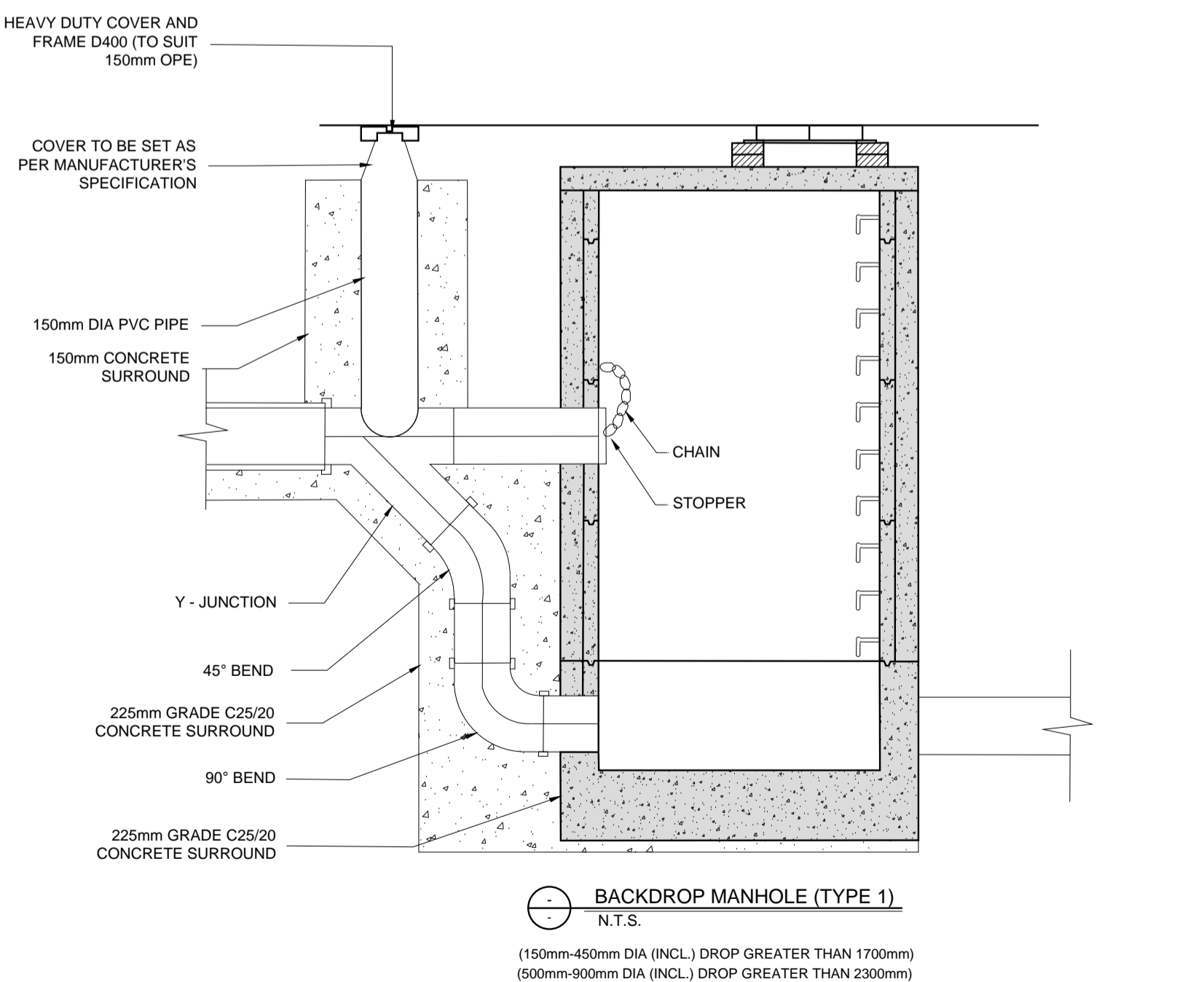


REVISION SCHEDULE					
REV. NO.	REV. DESCRIPTION	REV. DATE	DRAWN	CHECKED	
PL1	ISSUED FOR PLANNING	07/02/2019	TGB	KOM	



MANHOLE - INTERNAL DIMENSIONS				
PIPE Ø (mm)	MANHOLE TYPE			
	A	C	D	E
EP 10 225	700 x 900	9000		
300	700 x 900	10500	10500	10500
375	700 x 900	10500	10500	10500
450	700 x 900	10500	10500	10500
525	700 x 900	12000	12000	12000
600		12000	12000	12000
675		13500	13500	15000
750		13500	15000	15000
900		15000	15000	15000

- NOTES**
- ALL DIMENSIONS ARE IN MILLIMETRES (mm) UNLESS NOTED OTHERWISE.
 - RODDING EYE CHAMBER SHALL BE COVERED WITH APPROVED HEAVY DUTY METAL COVERS TO IS 261 AND BS 5834. COVER AND FRAME SHALL BE SUITABLE FOR ROAD AND TRAFFIC CONDITIONS AND IS SUBJECT TO THE APPROVAL OF IRISH WATER.
 - ALL CHAMBERS TO BE CHECKED FOR UPLIFT BY THE DEVELOPER BASED ON GROUND CONDITIONS WITHIN THE SITE. SHOULD ANTI FLOATION MEASURES BE REQUIRED THEY SHALL BE SUBJECT TO APPROVAL FROM IRISH WATER.
 - ALL CONCRETE TO BE IN ACCORDANCE WITH IS EN 206.
 - MANHOLE DETAILS TO BE IN ACCORDANCE WITH IRISH WATER STANDARDS.



Drawing Stage: PLANNING	Project Details:	Notes	Drawn by: JPC	Checked by: KOM	Approved by: JFC	Date: 07/02/2019	<p>Behan House, 10 Lower Mount Street, Dublin 2. D02 HT71 Tel: +353 1 661 1100 e-mail: info@cora.ie Web: www.cora.ie</p>	
	Site Address:	1. ALL ENGINEERS DRAWINGS TO BE READ IN CONJUNCTION WITH RELEVANT DRAWINGS AND SPECIFICATIONS.	Project Name: CHIVERS SITE		Scale: A.S. @ A1	Project Number: 1753		
	Client:	2. ALL SETTING OUT TO ARCHITECTS DRAWINGS.	Drawing Title: STANDARD DRAINAGE DETAILS SHEET 1		Project:	Originator:		Zone:
	Architect:	3. DO NOT SCALE FROM ENGINEERS DRAWINGS.	Level:	Type:	Discipline:	Drawing No:		Stage:
	M&E Designer:	4. ANY DISCREPANCIES BETWEEN DRAWINGS, SKETCHES, VERBAL INSTRUCTIONS AND SITE CONDITIONS TO BE REFERRED TO THE DESIGN TEAM BEFORE WORK COMMENCES.	Revision:	PL1				
Contractor:	5. ALL LEVELS ARE STRUCTURAL UNLESS NOTED OTHERWISE.							