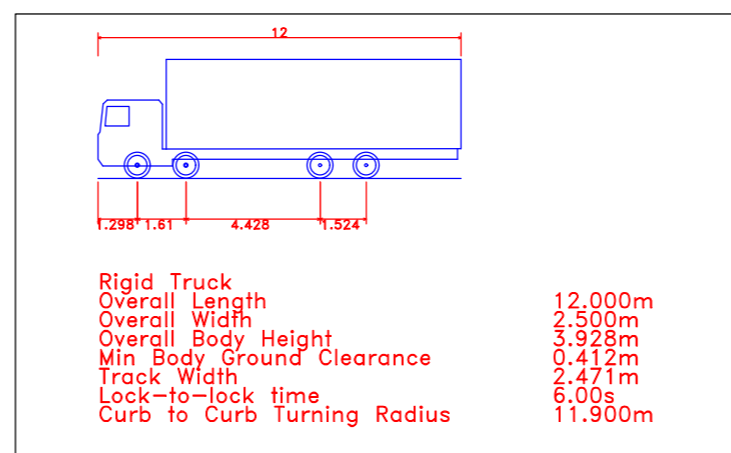
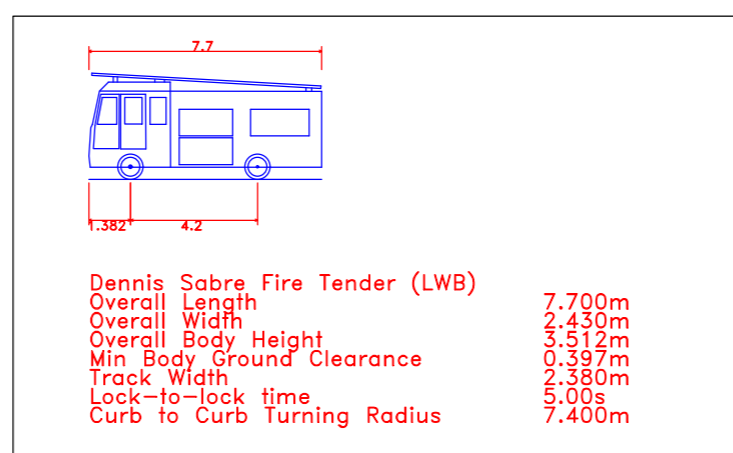




1.) FIRE TENDER  
SCALE 1:250



2.) FIRE TENDER  
SCALE 1:250



**PLANNING DRAWING**  
 NOT FOR CONSTRUCTION THIS  
 DRAWING HAS BEEN ISSUED FOR  
 INFORMATION PURPOSES ONLY  
 AND MUST NOT BE USED FOR  
 CONSTRUCTION UNDER ANY  
 CIRCUMSTANCES



3.) RIGID TRUCK  
SCALE 1:250

- NOTES**
- For setting out refer to Architect's drawings.
  - This drawing to be read in conjunction with all other Architectural and Engineering drawings and all other relevant drawings and Specifications.
  - DO NOT SCALE THIS DRAWING. Use figured dimensions only.
  - No part of this document may be reproduced or transmitted in any form or stored in any retrieval system of any nature without the written permission as copyright holder except as agreed for use on the project for which the document was originally issued.
  - Ordnance Survey Ireland Licence Number EN 0074019

Rev. No.	Date	REVISION NOTE	Drn. By	Chkd. By

Architect	Henry J Lyons		
Project	Spencer Place Residential City Block 2		
Title	Swept Path Analysis Surface Level Large Vehicles - Sheet 2 Of 2		
Drn. by	DD	Chkd. by	GF
Date	Aug' 2019	Scale	1:250 @ A1
Dwg. No.	R043-017		Revision

**CS Consulting Group**  
 DUBLIN | LONDON | LIMERICK

Head Office  
 19-22 Dame Street, Dublin 2.  
 T: +353 (0)1 5480863 F: +353 (0)1 9011355  
 e: info@csconsulting.ie  
 w: www.csconsulting.ie

Quality Environment I.S. EN ISO 9001:2008  
 NSAI Certified Energy I.S. EN ISO 14001:2004  
 Health & Safety OHSAS 18001:2007