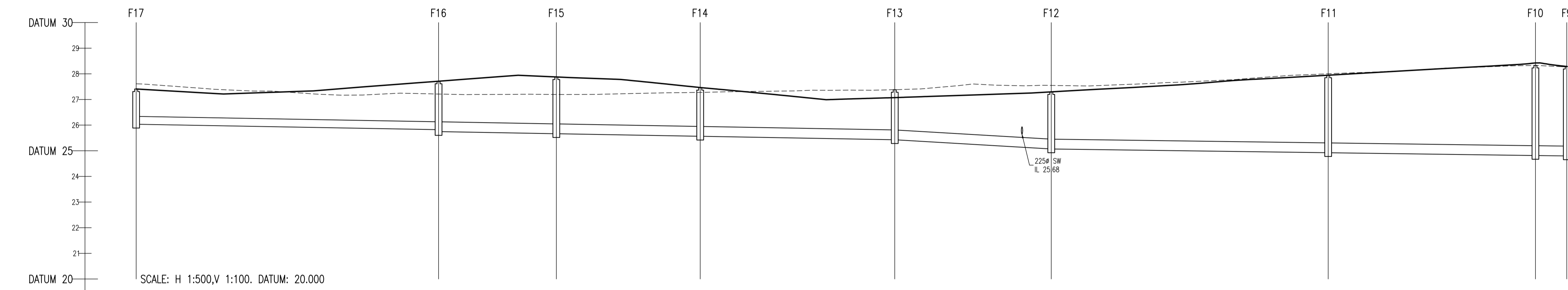
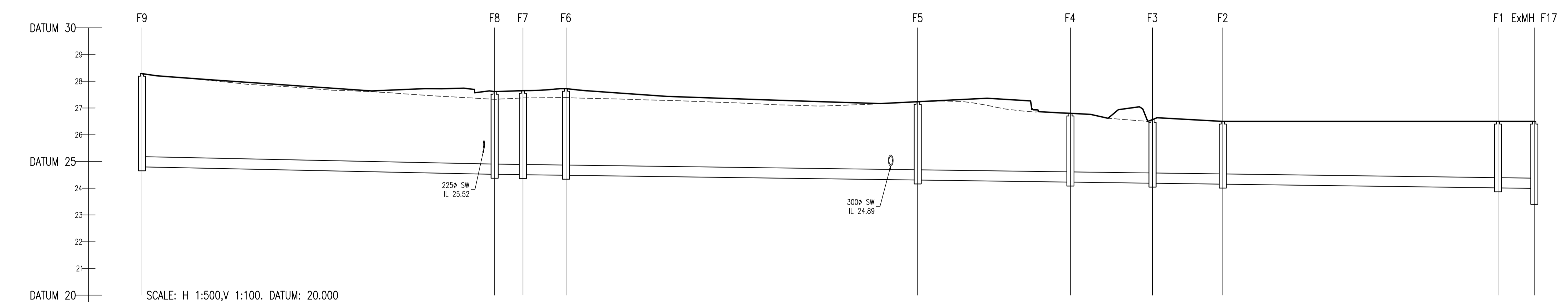


|              | F21    | F20    | F19    | F18    | F17    |
|--------------|--------|--------|--------|--------|--------|
| COVER LEVEL  | 29.624 | 29.043 | 28.481 | 27.992 | 27.408 |
| INVERT LEVEL | 27.885 | 27.883 | 27.087 | 26.687 | 26.455 |
| DEPTH (m)    | 1.739  | 1.360  | 1.394  | 1.305  | 1.371  |
| DISTANCE (m) |        | 27.22  | 95.32  | 80.09  | 57.98  |
| PIPE SLOPE   | 1:150  | 1:160  | 1:200  | 1:250  |        |
| PIPE SIZE    | 225mm  | 225mm  | 225mm  | 225mm  |        |

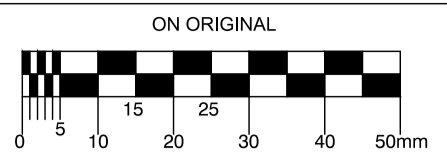


|              | F17    | F16    | F15    | F14    | F13    | F12    | F11    | F10    | F9     |
|--------------|--------|--------|--------|--------|--------|--------|--------|--------|--------|
| COVER LEVEL  | 27.408 | 27.712 | 27.818 | 27.465 | 27.381 | 27.286 | 27.947 | 28.329 | 28.287 |
| INVERT LEVEL | 26.037 | 25.826 | 25.669 | 25.569 | 25.433 | 25.074 | 24.926 | 24.819 | 24.802 |
| DEPTH (m)    | 1.371  | 1.961  | 2.209  | 1.897  | 1.948  | 2.222  | 3.019  | 3.511  | 3.485  |
| DISTANCE (m) |        | 59.06  | 23.00  | 28.10  | 37.99  | 30.57  | 54.08  | 6.12   |        |
| PIPE SLOPE   | 1:280  | 1:280  | 1:280  | 1:280  | 1:85   | 1:370  | 1:370  | 1:370  |        |
| PIPE SIZE    | 300mm  | 375mm  | 375mm  | 375mm  | 375mm  | 375mm  | 375mm  | 375mm  |        |



|              | F9     | F8     | F7     | F6     | F5     | F4     | F3     | F2     | F1 ExMH | F17    |
|--------------|--------|--------|--------|--------|--------|--------|--------|--------|---------|--------|
| COVER LEVEL  | 28.287 | 27.614 | 27.649 | 27.726 | 27.235 | 26.803 | 26.563 | 26.500 | 26.500  | 26.500 |
| INVERT LEVEL | 24.802 | 24.524 | 24.509 | 24.488 | 24.310 | 24.235 | 24.181 | 24.156 | 24.016  | 23.995 |
| DEPTH (m)    | 3.485  | 3.091  | 3.140  | 3.238  | 2.925  | 2.570  | 2.372  | 2.344  | 2.484   | 2.511  |
| DISTANCE (m) |        | 66.05  | 5.29   | 8.08   | 65.86  | 28.60  | 15.37  | 13.16  | 51.54   | 6.80   |
| PIPE SLOPE   | 1:237  | 1:370  | 1:370  | 1:370  | 1:370  | 1:370  | 1:370  | 1:370  | 1:370   | 1:370  |
| PIPE SIZE    | 375mm  | 375mm  | 375mm  | 375mm  | 375mm  | 375mm  | 375mm  | 375mm  | 375mm   | 375mm  |

© COPYRIGHT OF THIS DRAWING IS RESERVED BY DBFL CONSULTING ENGINEERS. NO PART SHALL BE REPRODUCED OR TRANSMITTED WITHOUT THEIR WRITTEN PERMISSION.



- NOTES:
- ALL DRAWINGS TO BE CHECKED BY CONTRACTOR ON SITE AND ENGINEER INFORMED OF DISCREPANCIES BEFORE WORK COMMENCES
  - ALL LEVELS ARE IN METRES AND ARE RELATED TO ORDNANCE DATUM
  - CONTRACTOR SHALL SATISFY HIMSELF AS TO THE ACCURACY OF PAVEMENT LEVELS ON SITE PRIOR TO COMMENCEMENT OF WORKS ON SITE
  - ALL WORKS TO BE CONSTRUCTED IN ACCORDANCE WITH THE NRA SPECIFICATION FOR ROAD WORKS UNLESS NOTED OTHERWISE
  - THIS DRAWING IS FOR PLANNING PURPOSES ONLY
  - MANHOLE COVER LEVELS ARE TO CONFORM WITH FINISHED ROAD AND PATH LEVELS
  - WHERE COVER TO PIPE IS LESS THAN 1200mm (ROAD/PATH/VERGE) OR 900mm (OPEN SPACE) SURROUND PIPE IN MINIMUM 150mm CONCRETE

KEY  
 - - - - - EXISTING GROUND PROFILE  
 \_\_\_\_\_ PROPOSED GROUND PROFILE

| REV. | DATE     | DESCRIPTION          | BY  | CHKD. |
|------|----------|----------------------|-----|-------|
| A    | 10-10-19 | PLANNING SHD STAGE 3 | DJG | DCS   |

**PLANNING SHD STAGE 3**

|          |          |          |     |
|----------|----------|----------|-----|
| DESIGNED | DMW      | PREPARED | DJG |
| DATE     | OCT 2019 | CHECKED  | DJR |

**DBFL** Dublin Office: Ormrod House, Upper Ormrod Quay, Dublin 7, Ireland. PHONE +353 1 400 4000 FAX +353 1 400 4050  
 Waterford Office: Unit 2, The Chandlery, 1-2 O'Connell Street, Waterford, Ireland. PHONE +353 51 308 500 FAX +353 51 844 813

DBFL Consulting Engineers email: info@dbfl.ie site: www.dbfl.ie

PROJECT  
**STRATEGIC HOUSING DEVELOPMENT AT COLPE WEST, DROGHEDA, CO. MEATH**

DRG. TITLE  
**LONGITUDINAL SECTIONS THROUGH FOUL SEWER SHEET 1**

CLIENT  
**SHANNON HOMES DROGHEDA LTD.**

SCALE AS SHOWN @A1 FILE REF. 170092-3081  
 DRG. NO. 170092-3091