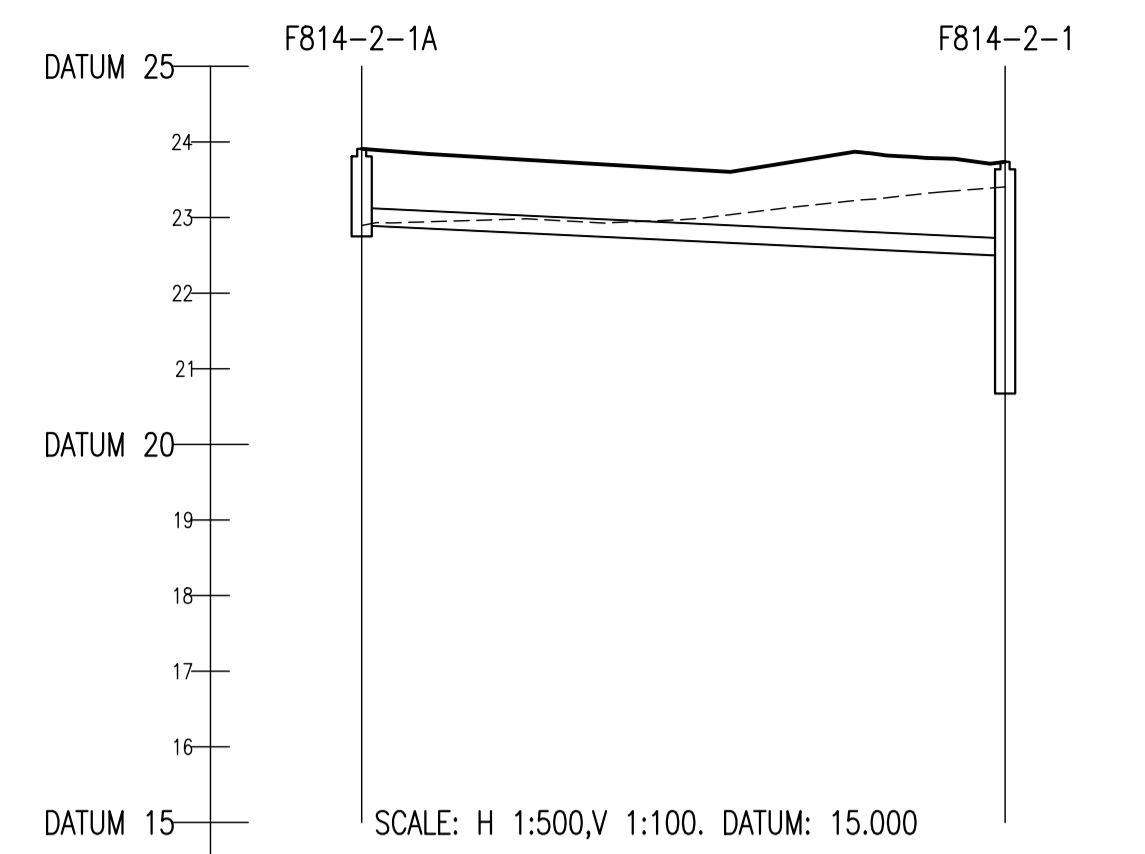
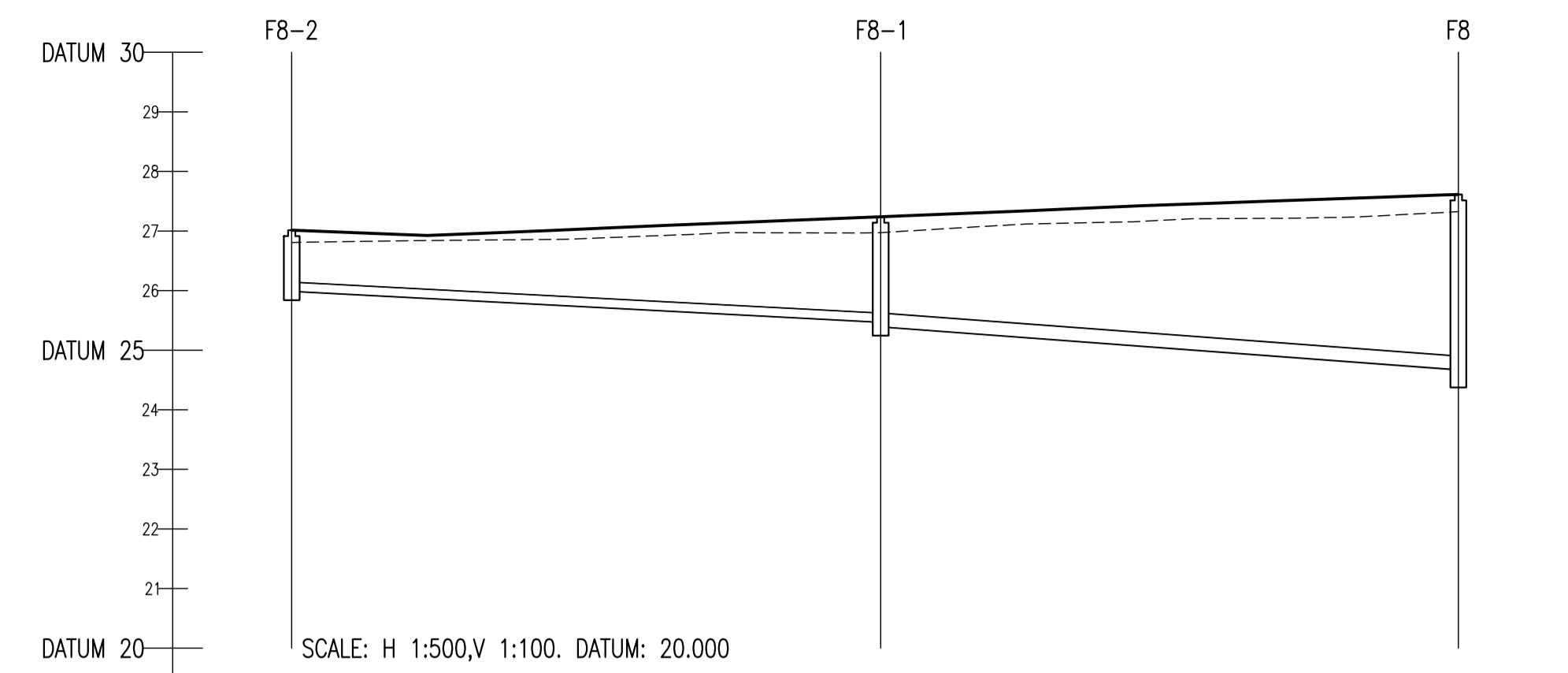


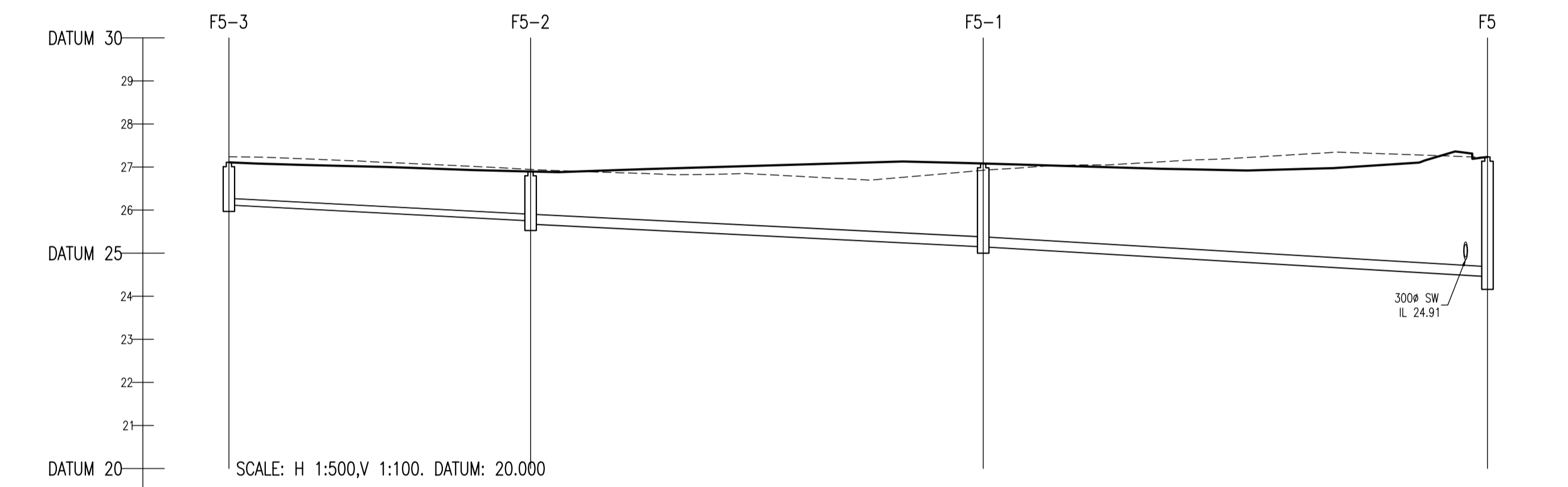
COVER LEVEL	22.803	23.738	23.897
INVERT LEVEL	21.500	20.898	20.456
DEPTH (m)	1.303	2.915	3.701
DISTANCE (m)		59.40	11.00
PIPE SLOPE		1:99	1:30
PIPE SIZE		150mm	225mm



COVER LEVEL	23.908	23.738
INVERT LEVEL	22.800	21.496
DEPTH (m)	1.008	2.915
DISTANCE (m)		42.55
PIPE SLOPE		1:105
PIPE SIZE		225mm

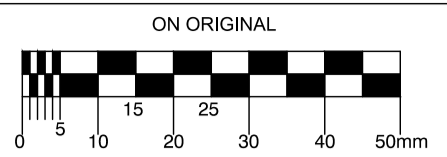


COVER LEVEL	27.015	27.240	27.614
INVERT LEVEL	26.900	26.470	26.673
DEPTH (m)	1.025	1.845	3.091
DISTANCE (m)		49.46	48.52
PIPE SLOPE		1:95	1:67
PIPE SIZE		150mm	225mm



COVER LEVEL	27.109	26.887	27.683	27.235
INVERT LEVEL	26.120	25.752	25.150	24.460
DEPTH (m)	0.989	1.220	1.933	2.925
DISTANCE (m)		35.04	52.58	58.58
PIPE SLOPE		1:95	1:100	1:85
PIPE SIZE		150mm	225mm	225mm

© COPYRIGHT OF THIS DRAWING IS RESERVED BY DBFL CONSULTING ENGINEERS. NO PART SHALL BE REPRODUCED OR TRANSMITTED WITHOUT THEIR WRITTEN PERMISSION.



- NOTES:
- ALL DRAWINGS TO BE CHECKED BY CONTRACTOR ON SITE AND ENGINEER INFORMED OF DISCREPANCIES BEFORE WORK COMMENCES
 - ALL LEVELS ARE IN METRES AND ARE RELATED TO ORDNANCE DATUM
 - CONTRACTOR SHALL SATISFY HIMSELF AS TO THE ACCURACY OF PAVEMENT LEVELS ON SITE PRIOR TO COMMENCEMENT OF WORKS ON SITE
 - ALL WORKS TO BE CONSTRUCTED IN ACCORDANCE WITH THE NRA SPECIFICATION FOR ROAD WORKS UNLESS NOTED OTHERWISE
 - THIS DRAWING IS FOR PLANNING PURPOSES ONLY
 - MANHOLE COVER LEVELS ARE TO CONFORM WITH FINISHED ROAD AND PATH LEVELS
 - WHERE COVER TO PIPE IS LESS THAN 1200mm (ROAD/PATH/VERGE) OR 900mm (OPEN SPACE) SURROUND PIPE IN MINIMUM 150mm CONCRETE

KEY

- EXISTING GROUND PROFILE
- PROPOSED GROUND PROFILE

A	10-10-19	PLANNING SHD STAGE 3	DJG	DCS
REV.	DATE	DESCRIPTION	BY	CHKD.
PLANNING SHD STAGE 3				
DESIGNED	DMW	PREPARED	DJG	
DATE	OCT 2019	CHECKED	DJR	

DUBLIN OFFICE: Ormond House, Upper Ormond Quay, Dublin 7, Ireland. PHONE +353 1 400 4000 FAX +353 1 400 4050

WATERFORD OFFICE: Unit 2, The Chandlery, 1-2 O'Connell Street, Waterford, Ireland. PHONE +353 51 309 500 FAX +353 51 844 913

DBFL Consulting Engineers email: info@dbfl.ie site: www.dbfl.ie

PROJECT
STRATEGIC HOUSING DEVELOPMENT AT COLPE WEST, DROGHEDA, CO. MEATH

DRG. TITLE
LONGITUDINAL SECTIONS THROUGH FOUL SEWER SHEET 5

CLIENT
SHANNON HOMES DROGHEDA LTD.

SCALE AS SHOWN @A1 FILE REF. 170092-3081

DRG. NO. **170092-3095** **A**