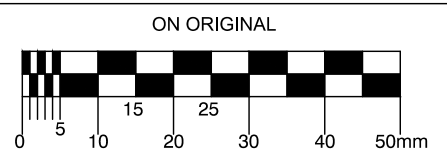


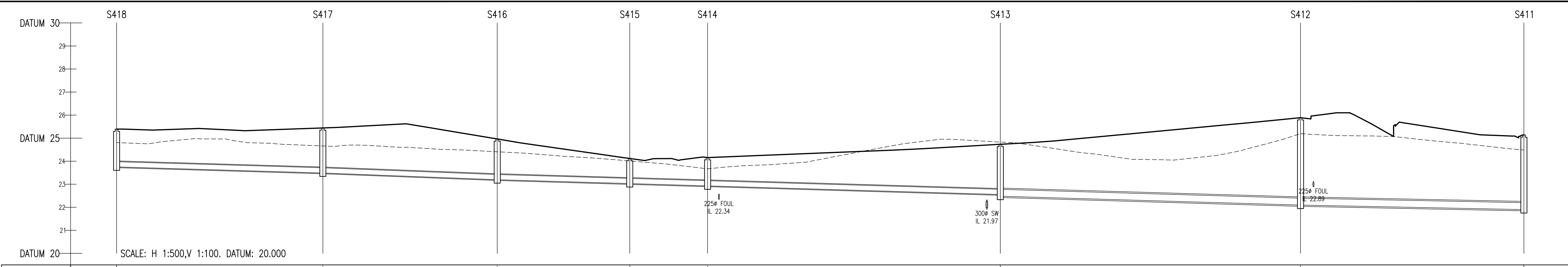
© COPYRIGHT OF THIS DRAWING IS RESERVED BY DBFL CONSULTING ENGINEERS. NO PART SHALL BE REPRODUCED OR TRANSMITTED WITHOUT THEIR WRITTEN PERMISSION.



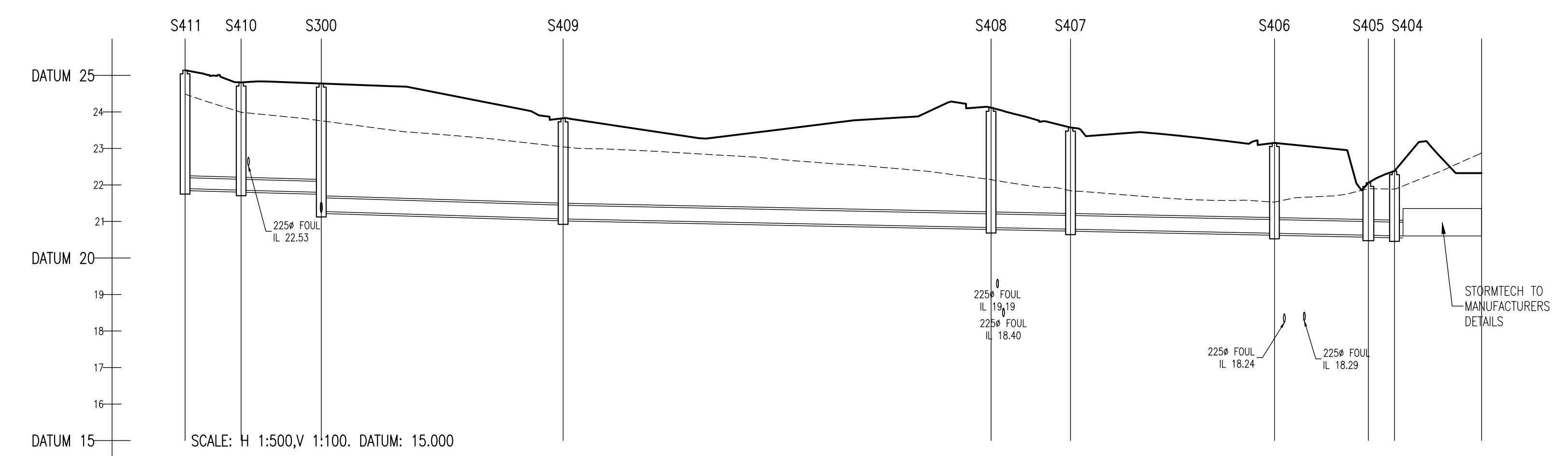
- NOTES:
- ALL DRAWINGS TO BE CHECKED BY CONTRACTOR ON SITE AND ENGINEER INFORMED OF DISCREPANCIES BEFORE WORK COMMENCES
  - ALL LEVELS ARE IN METRES AND ARE RELATED TO ORDNANCE DATUM
  - CONTRACTOR SHALL SATISFY HIMSELF AS TO THE ACCURACY OF PAVEMENT LEVELS ON SITE PRIOR TO COMMENCEMENT OF WORKS ON SITE
  - ALL WORKS TO BE CONSTRUCTED IN ACCORDANCE WITH THE NRA SPECIFICATION FOR ROAD WORKS UNLESS NOTED OTHERWISE
  - THIS DRAWING IS FOR PLANNING PURPOSES ONLY
  - MANHOLE COVER LEVELS ARE TO CONFORM WITH FINISHED ROAD AND PATH LEVELS
  - WHERE COVER TO PIPE IS LESS THAN 1200mm (ROAD/PATH/VERGE) OR 900mm (OPEN SPACE) SURROUND PIPE IN MINIMUM 150mm CONCRETE

KEY

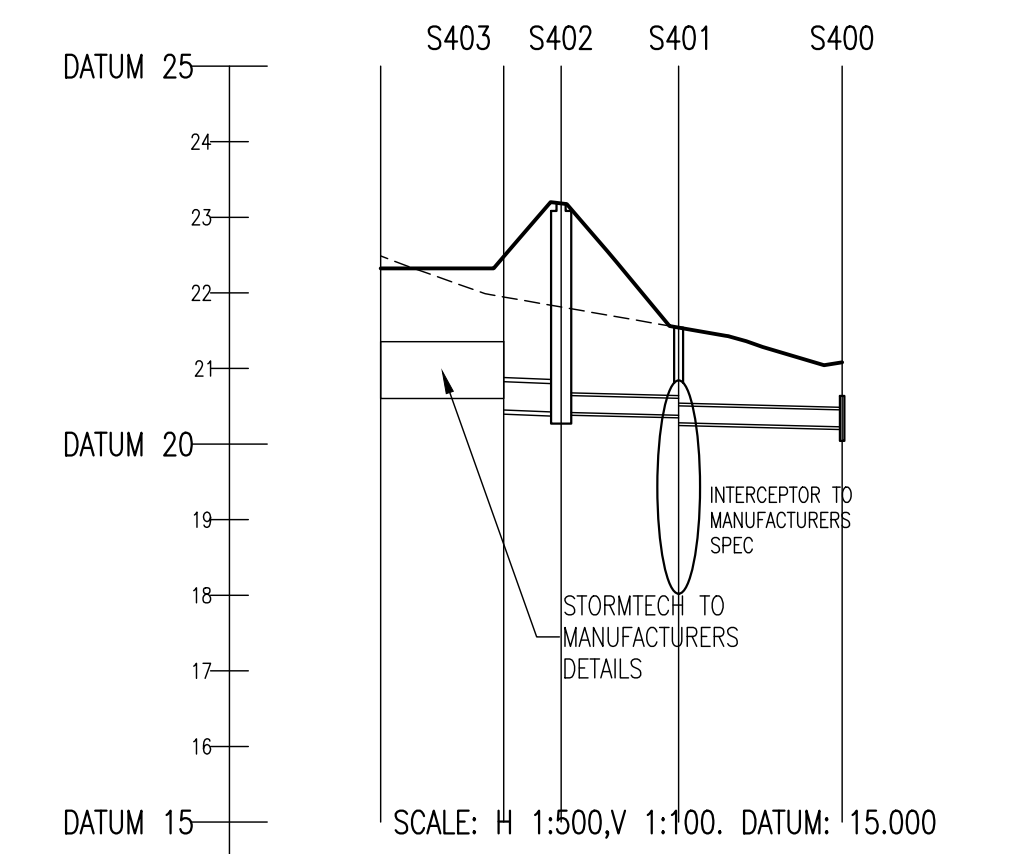
--- EXISTING GROUND PROFILE  
 - - - PROPOSED GROUND PROFILE



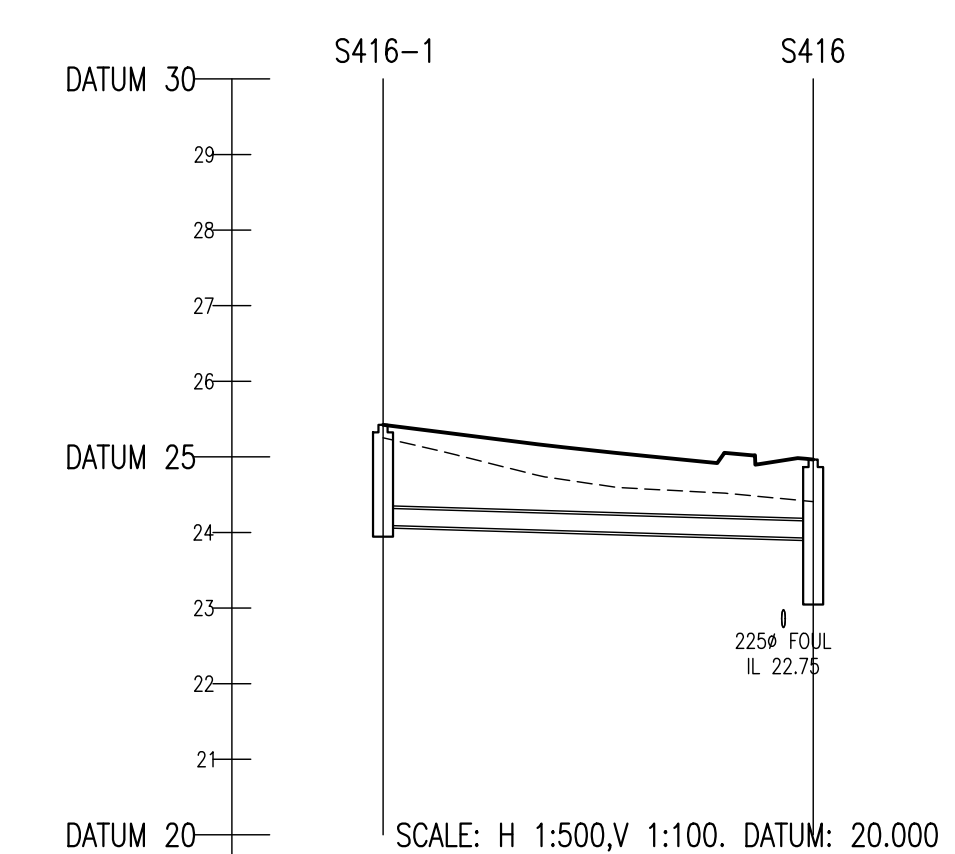
COVER LEVEL	25.393	25.443	24.966	24.119	24.157	24.733	25.889	25.141
INVERT LEVEL	23.732	23.489	23.197	23.028	22.929	22.555	22.095	21.900
DEPTH (m)	1.641	1.954	1.769	1.091	1.228	2.284	3.794	3.242
DISTANCE (m)		44.81	37.89	28.79	16.92	63.60	65.23	48.53
PIPE SLOPE		1:170	1:130	1:170	1:171	1:170	1:170	1:248
PIPE SIZE		225mm	225mm	225mm	225mm	225mm	300mm	300mm



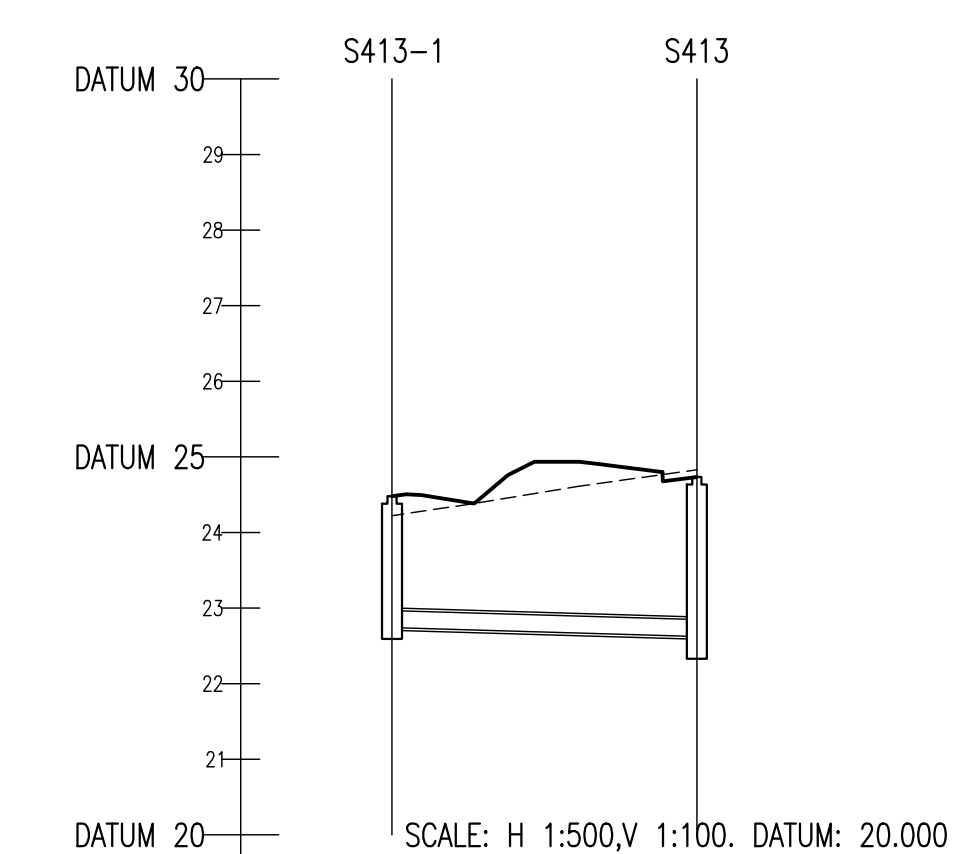
COVER LEVEL	25.141	24.808	24.778	23.827	24.118	23.573	23.151	22.860	22.382
INVERT LEVEL	21.900	21.856	21.797	21.070	20.833	20.799	20.616	20.605	20.605
DEPTH (m)	3.242	2.952	2.981	2.757	3.285	2.784	2.476	2.000	1.777
DISTANCE (m)	7.67	10.97	33.10	58.57	10.88	27.91	12.86	3.57	1.16
PIPE SLOPE	1:176	1:186	1:163	1:247	1:247	1:247	1:247	1:192	Horizontal
PIPE SIZE	300mm	300mm	375mm	375mm	375mm	375mm	375mm	375mm	375mm



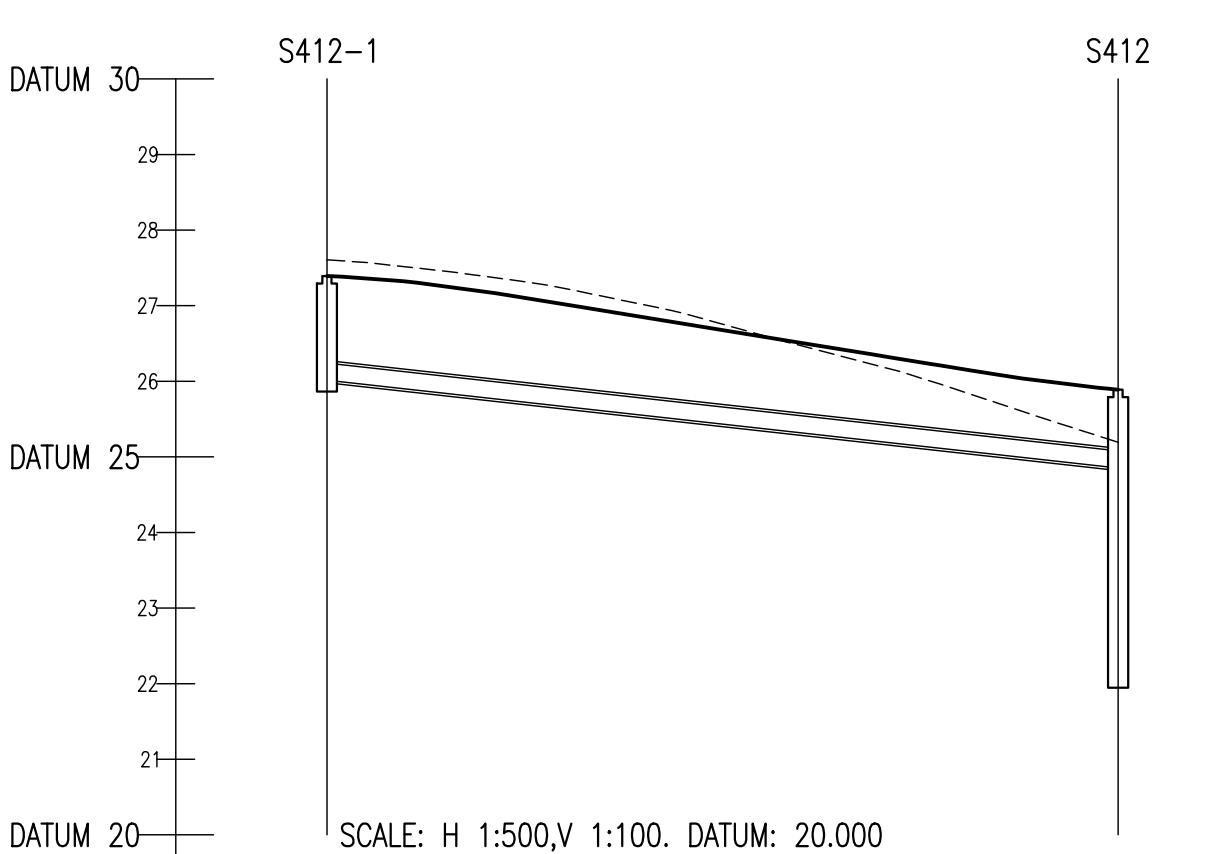
COVER LEVEL	21.066	23.184	21.542	20.637
INVERT LEVEL	20.450	20.420	20.281	20.227
DEPTH (m)	???	2.764	NA	???
DISTANCE (m)	3.79	7.77	10.82	
PIPE SLOPE	1:126	1:200	1:200	
PIPE SIZE	375mm	225mm	225mm	



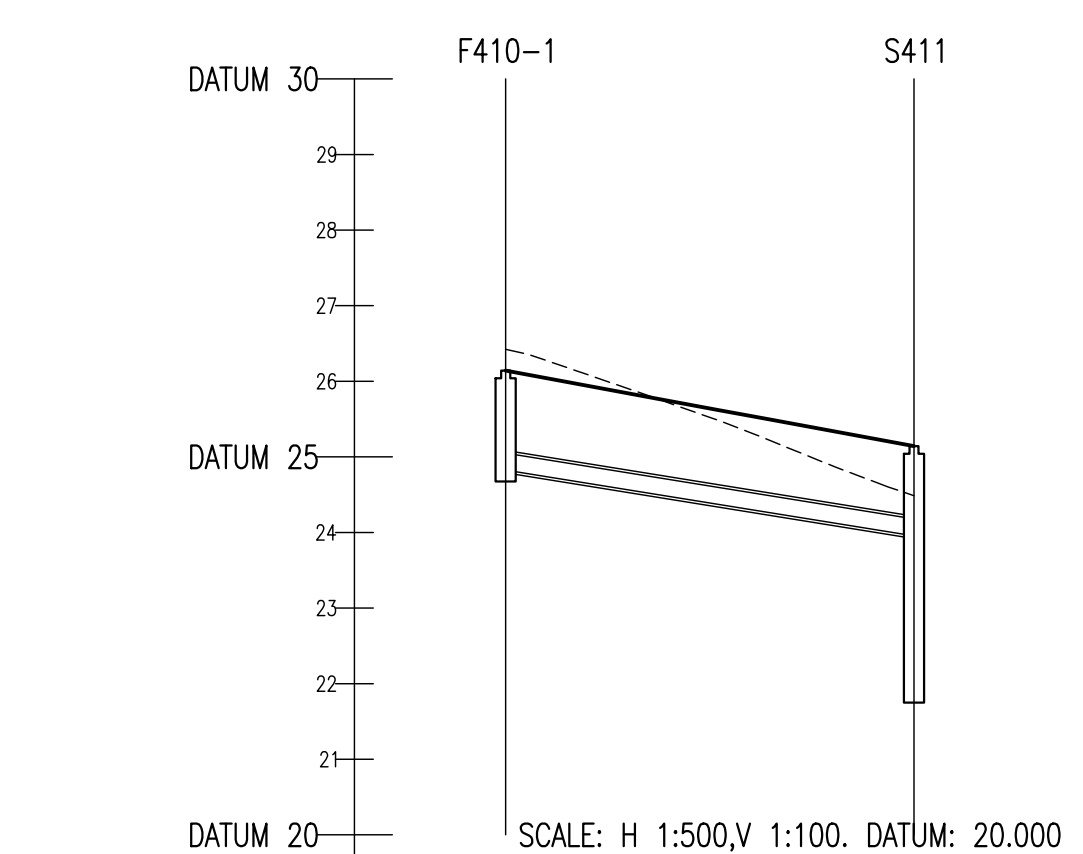
COVER LEVEL	25.425	24.966
INVERT LEVEL	24.085	23.924
DEPTH (m)	1.330	1.769
DISTANCE (m)		28.45
PIPE SLOPE		1:166
PIPE SIZE		225mm



COVER LEVEL	24.480	24.733
INVERT LEVEL	22.742	22.633
DEPTH (m)	1.738	2.254
DISTANCE (m)		20.16
PIPE SLOPE		1:170
PIPE SIZE		225mm



COVER LEVEL	27.392	25.889
INVERT LEVEL	26.015	24.853
DEPTH (m)	1.377	3.794
DISTANCE (m)		52.33
PIPE SLOPE		1:45
PIPE SIZE		225mm



COVER LEVEL	26.141	25.141
INVERT LEVEL	24.825	23.954
DEPTH (m)	1.316	3.242
DISTANCE (m)		27.01
PIPE SLOPE		1:31
PIPE SIZE		225mm

REV.	DATE	DESCRIPTION	BY	CHKD.
<b>PLANNING SHD STAGE 3</b>				
DESIGNED	DMW	PREPARED	DJG	
DATE	OCT 2019	CHECKED	DJR	

DBFL Consulting Engineers    email: info@dbfl.ie    site: www.dbfl.ie

PROJECT  
**STRATEGIC HOUSING DEVELOPMENT AT COLPE WEST, DROGHEDA, CO. MEATH**

DRG. TITLE  
**LONGITUDINAL SECTIONS THROUGH SURFACE WATER SHEET 5**

CLIENT  
**SHANNON HOMES DROGHEDA LTD.**

SCALE	AS SHOWN @A1	FILE REF.	170092-3081
DRG. NO.	170092-3085		