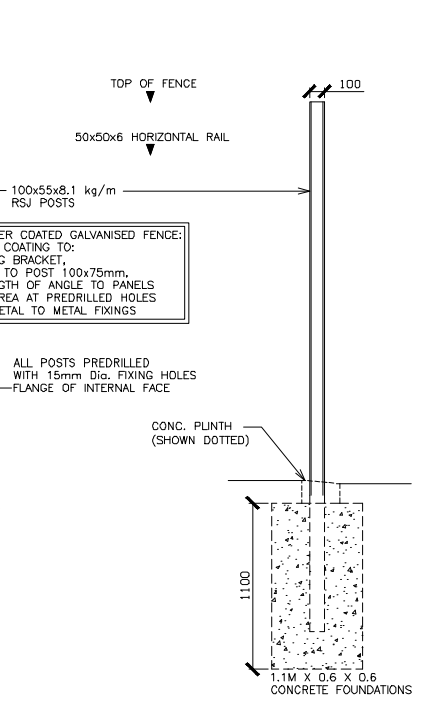
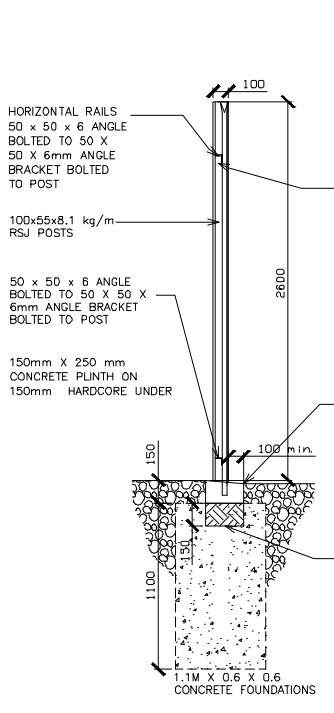


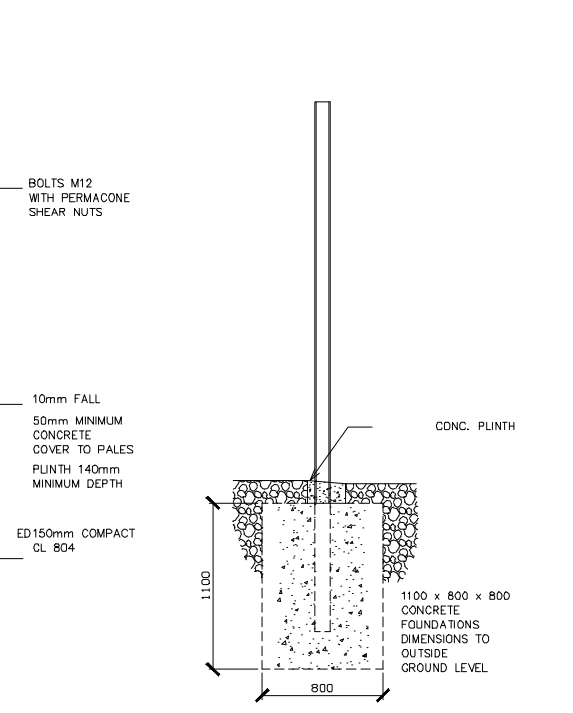
ELEVATION OF FENCE
SCALE 1:50



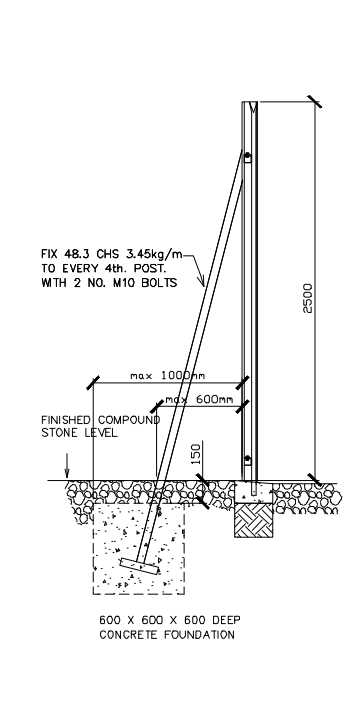
SIDE ELEVATION OF POST
SCALE 1:50



PALES & PLINTH DETAILS
SCALE 1:50

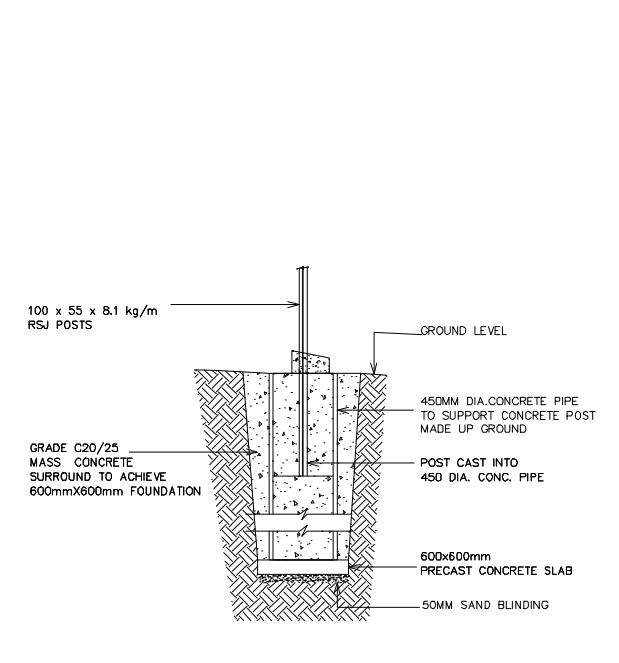


DETAILS OF FOUNDATION TO CORNER POSTS
SCALE 1:50

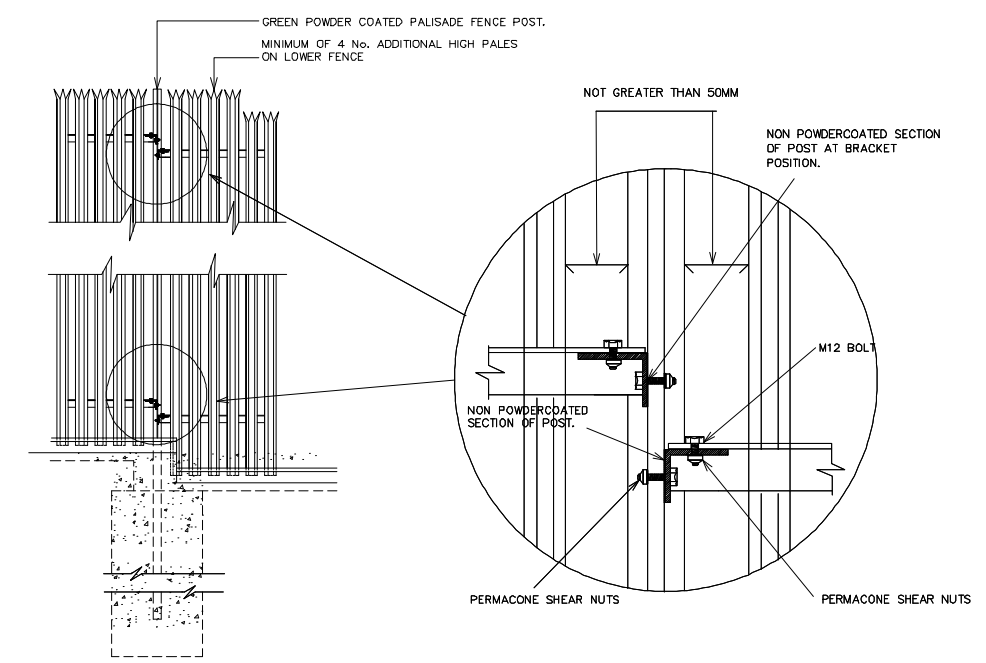


DETAIL OF STRUTS TO FENCING (ONLY WHEN REQUIRED)
SCALE 1:50

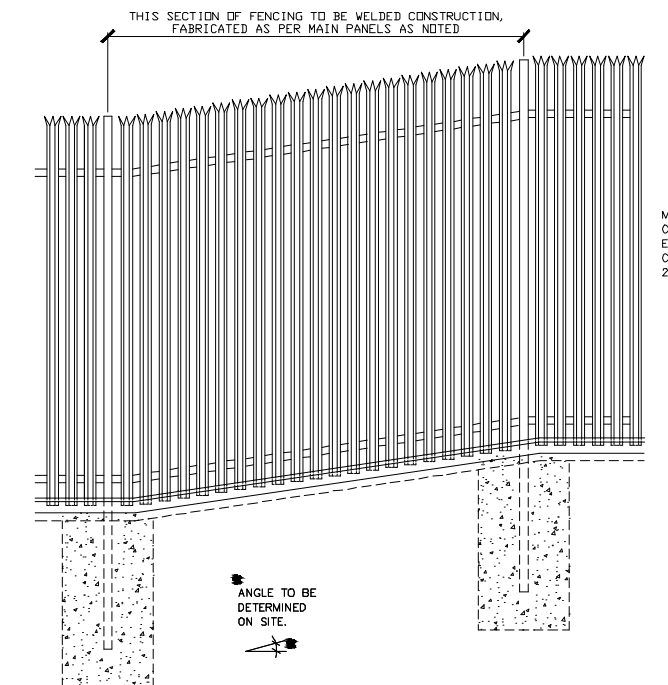
- NOTES
1. THIS DRAWING TO BE READ IN CONJUNCTION WITH ALL RELEVANT ESBI DRAWINGS, BILLS OF QUANTITIES AND SPECIFICATION CS 17-501-5
 2. THIS DRAWING IS NOT TO BE SCALED.
 3. THE FENCE IS TO BE CONSTRUCTED IN ACCORDANCE WITH B.S. 1722 PART 12
 4. GALVANISING TO BE IN ACCORDANCE WITH IS EN ISO 1461.
 5. POWDER COATING TO BE IN ACCORDANCE WITH IS EN 13438.
 6. PALES TO BE TRIPLE POINTED & SPLAYED, AND WELDED TO RAILS IN ACCORDANCE WITH CL. 5.1 OF BS 1722
 7. GAP BETWEEN PALES AND BETWEEN PALES AND RSJ TO BE NOT GREATER THAN 50MM.
 8. MINIMUM HEIGHT OF FENCE ON EITHER SIDE OF COMPOUND IS TO BE 2600MM
 9. IN AREAS OF MADE-UP GROUND ADDITIONAL CONCRETE TO BE USED IN BASE. QUANTITY TO BE APPROVED BY ESBI IN ADVANCE.
 10. CONCRETE TO BE GRADE C20/25 TO BASES, C30/37 TO PLINTHS IN ACCORDANCE WITH TABLE 1 DRAWING PG406-D100-001-001-000
- NOTE: 75MM EARTHING DUCT TO BE PROVIDED AT EVERY SECOND POST



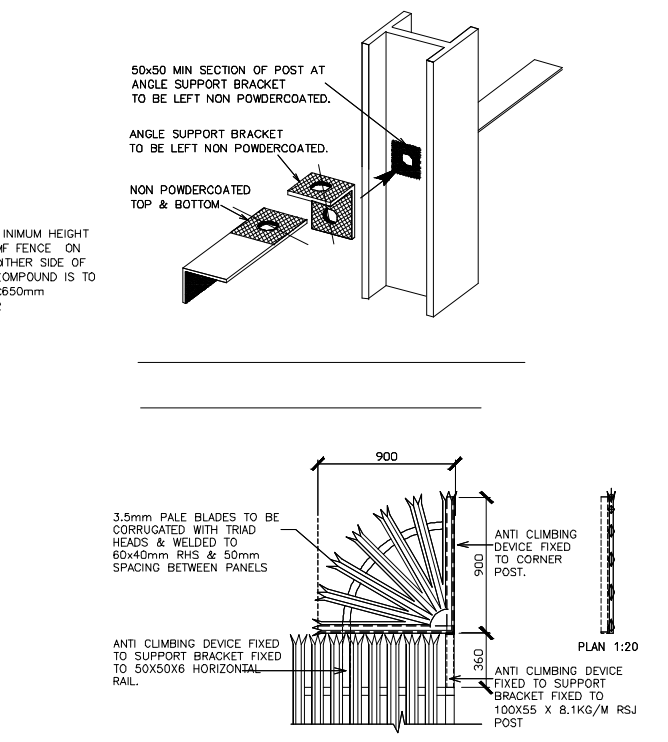
DETAIL WHERE THERE IS MADE-UP GROUND
SCALE 1:50



STEP(S) IN PALISADE FENCE (WHERE APPLICABLE)
SCALE 1:50



ELEVATION TO TYPICAL SLOPED SECTION OF FENCING
SCALE 1:50



DETAILS OF ANTI-CLIMBING AID (WHERE APPLICABLE)
SCALE 1:50

Malachy Walsh and Partners
Engineering and Environmental Consultants

Cork | Tralee | London | Limerick

Reen Point, Blennerville, Tralee, Co. Kerry, V92 X2TK

Tel. : +353 (0) 66 7123404
Fax. : +353 (0) 66 7126586
E-mail : tralee@mwp.ie
Web : www.mwp.ie

P01	26.02.2021	Issued For Planning	JK	GT
REV	DATE	DESCRIPTION	BY	APP
CLIENT: Cloncant Renewable Energy Limited				

PROJECT: Proposed Kilcumber Bridge 110kv Substation

TITLE: Palisade Fence Details

DRAWN: JK	CHECKED: GT	APPROVED: GT
DATE: January 2021	SCALE @ A3: As Shown	
PROJECT NUMBER: 21280	DRAWING STATUS: S2	
DRAWING NUMBER: 21280-MWP-00-00-DR-C-5407	REV: P01	