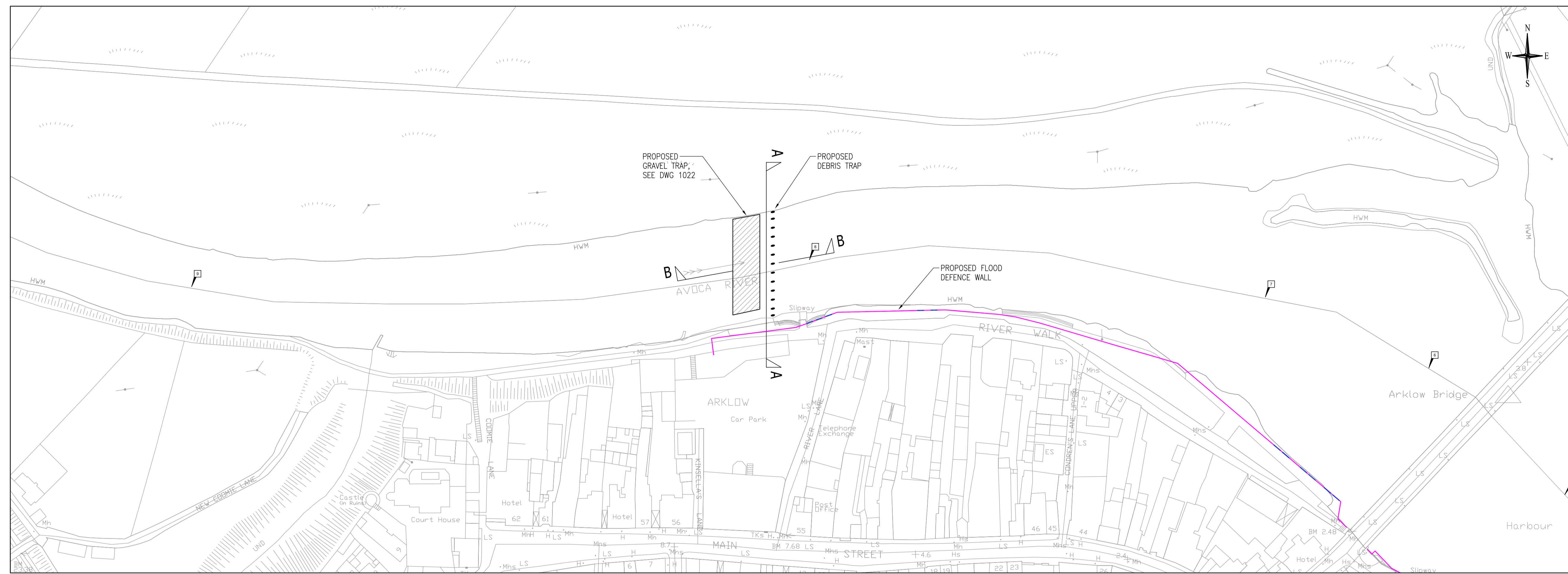


- DO NOT SCALE OFF DRAWING
- DRAWING TO BE READ IN CONJUNCTION WITH ALL OTHER DRAWINGS
- DRAWING IS FOR INFORMATION PURPOSES ONLY, NOT FOR CONSTRUCTION

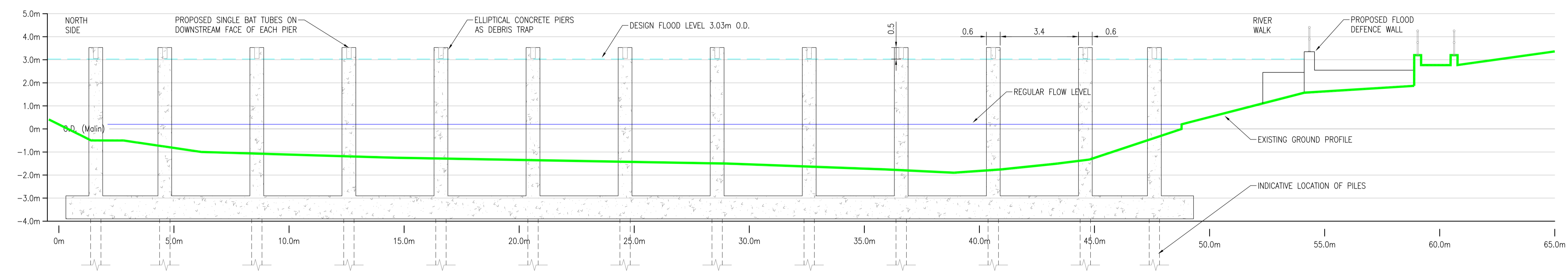
LEGEND:

- EXISTING GROUND PROFILE
- DEBRIS CHANNEL COLUMNS, COLUMNS TO BE 1.6m LONG x 0.6m WIDE ELLIPTICAL COLUMNS AT 4m CENTRES
- DESIGN FLOOD LEVEL
- PROPOSED FLOOD DEFENCE WALL

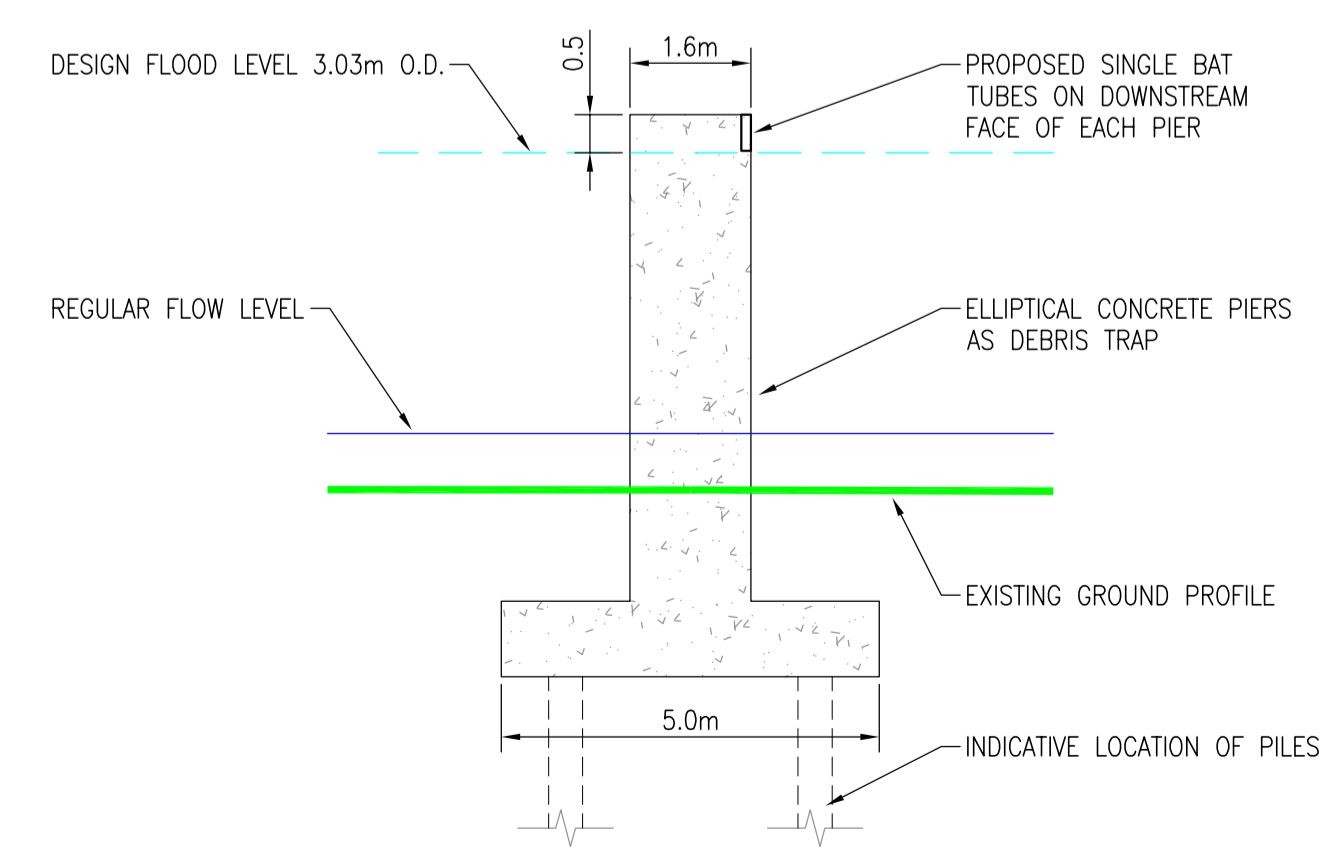
DESIGN FLOOD LEVELS	
REFERENCE SITE	FLOOD LEVEL (mOD MALIN)
1	1.82
2	1.95
3	1.93
4	2.13
5	2.28
6	2.77
7	2.87
8	3.02
9	3.18
10	3.27
11	2.97
12	3.03
13	3.03



DEBRIS TRAP LOCATION PLAN  
SCALE 1:1000



DEBRIS TRAP SECTION A-A  
SCALE 1:100



DEBRIS TRAP SECTION B-B  
SCALE 1:100

Rev	Date	Description	By	Chk	App
P5	27.04.21	ISSUE FOR PLANNING	LT	KBS	KT
P4	11.03.21	ISSUE FOR PLANNING	LT	KBS	KT
P3	19.10.20	ISSUE FOR INFORMATION	LT	KBS	KT
P2	05.03.20	ISSUE FOR INFORMATION	LT	KBS	KT
P1	10.09.18	ISSUE FOR INFORMATION	NM	SH	KT

**BYRNE LOOBY**  
 2100 Cork Airport Business Park, Kinsale Road, Cork  
 tel: +353 (0) 21 2407988  
 email: cork@ByrneLooby.com www.ByrneLooby.com

BAHRAIN • IRELAND • QATAR • SAUDI ARABIA • UAE • UK  
 CIVIL STRUCTURAL WATER & GEOTECHNICAL SPECIALISTS

CLIENT  
 WICKLOW COUNTY COUNCIL

PROJECT  
 ARKLOW FLOOD RELIEF SCHEME

DRAWING TITLE  
 CHANNEL WORKS  
 DEBRIS TRAP

STATUS  
 FOR PLANNING

Date:	Scale:	AS SHOWN	Drawn:	NM	Chk:	SH	App:	KT
Project No:	Ph00886/01	Drg. No:	1021	Rev:				P5