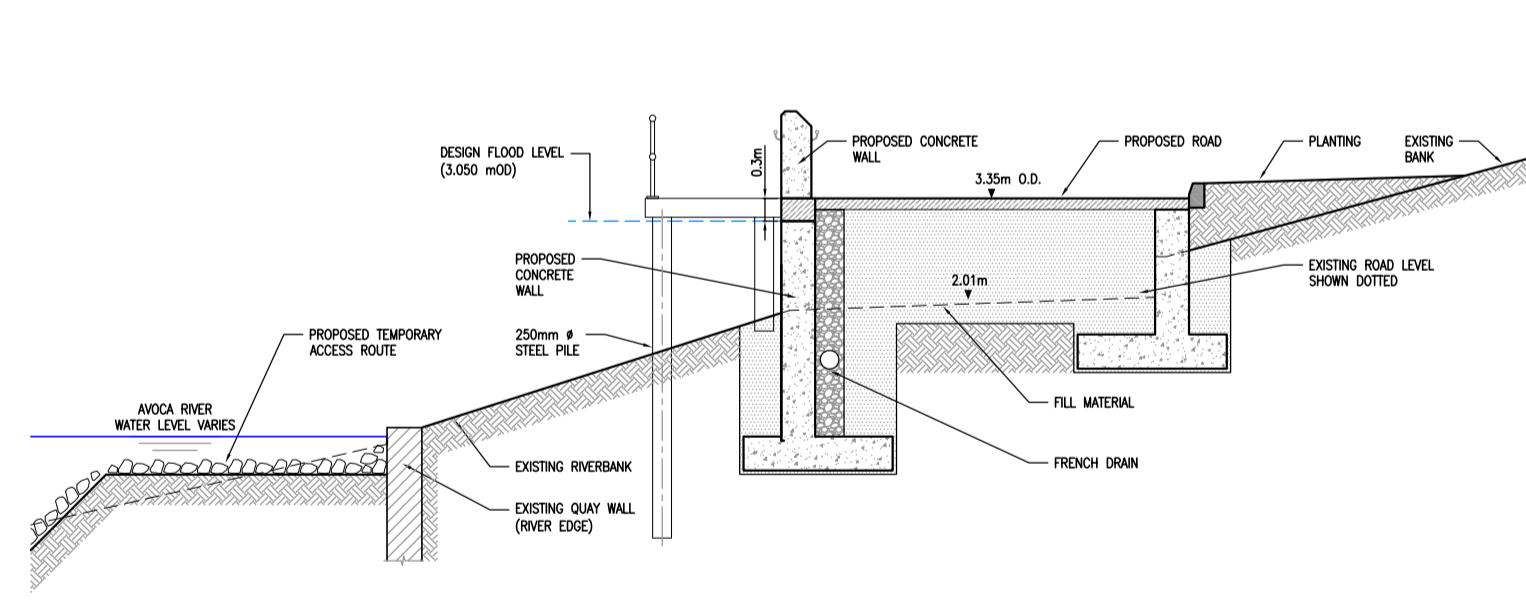


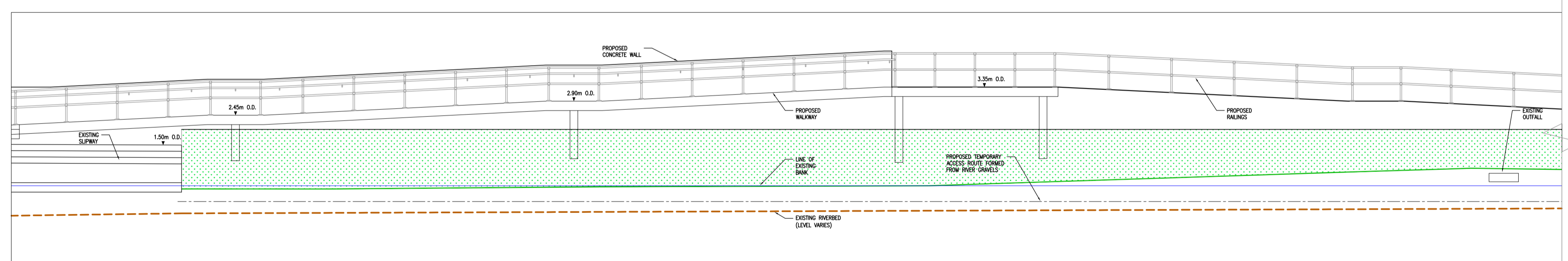
RIVER ACCESS RAMP LOCATION PLAN  
SCALE 1:1000

- GENERAL NOTES
- DO NOT SCALE OFF DRAWING
  - DRAWING TO BE READ IN CONJUNCTION WITH ALL OTHER DRAWINGS
  - DRAWING IS FOR INFORMATION PURPOSES ONLY, NOT FOR CONSTRUCTION
- LEGEND:
- EXISTING GROUND PROFILE
  - EXISTING GRASSED AREA
  - PROPOSED GRAVEL TRAP
  - DESIGN FLOOD LEVEL
  - PROPOSED FLOOD DEFENCE WALL
  - TEMPORARY RAMP
  - EXISTING RIVERBED
  - EXISTING GROUND REMOVED

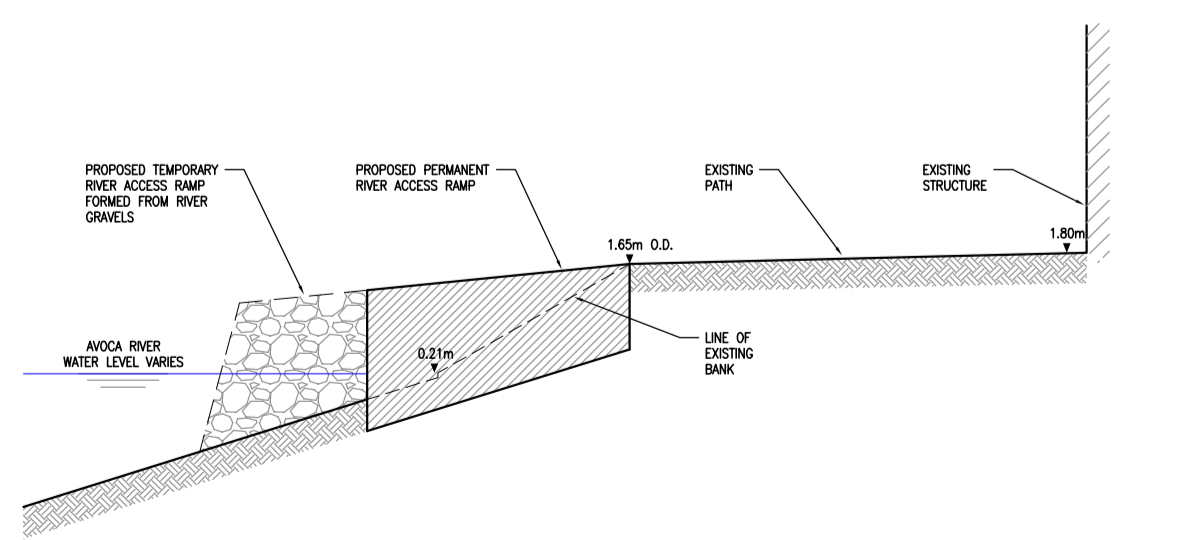
DESIGN FLOOD LEVELS	
REFERENCE SITE	FLOOD LEVEL (mOD MALIN)
1	1.82
2	1.95
3	1.93
4	2.13
5	2.28
6	2.77
7	2.87
8	3.02
9	3.18
10	3.27
11	2.97
12	3.03
13	3.03



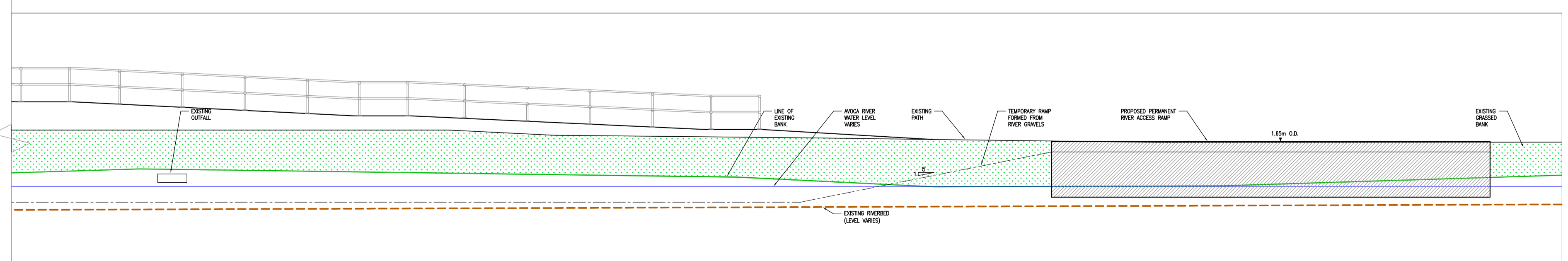
RIVER ACCESS SECTION A-A  
SCALE 1:100



RIVER ACCESS SECTION C-C  
SCALE 1:100



RIVER ACCESS SECTION B-B  
SCALE 1:100



SECTION C-C (Contd.)

Rev	Date	Description	By	Chk	App
P1	11.03.21	ISSUE FOR PLANNING	LT	KBS	KT
P0	19.10.20	ISSUE FOR INFORMATION	LT	KBS	KT

**BYRNE LOOBY**  
 2100 Cork Airport Business Park, Kinsale Road, Cork  
 Tel: +353 (0) 21 2407985  
 email: cork@ByrneLooby.com www.ByrneLooby.com

BAHRAIN • IRELAND • QATAR • SAUDI ARABIA • UAE • UK  
 CIVIL STRUCTURAL WATER & GEOTECHNICAL SPECIALISTS

CLIENT  
**WICKLOW COUNTY COUNCIL**

PROJECT  
**ARKLOW FLOOD RELIEF SCHEME**

DRAWING TITLE  
**CHANNEL WORKS  
 RIVER ACCESS RAMP TO DEBRIS TRAP  
 PLAN & SECTIONS**

STATUS  
**FOR PLANNING**

Date:	Scale:	AS SHOWN	Drawn:	LT	Chk:	KBS	App:	KT
03.04.20	AS SHOWN		Drawn:	LT	Chk:	KBS	App:	KT
Project No:	PH00886/01		Drg. No:	1023			Rev:	P1