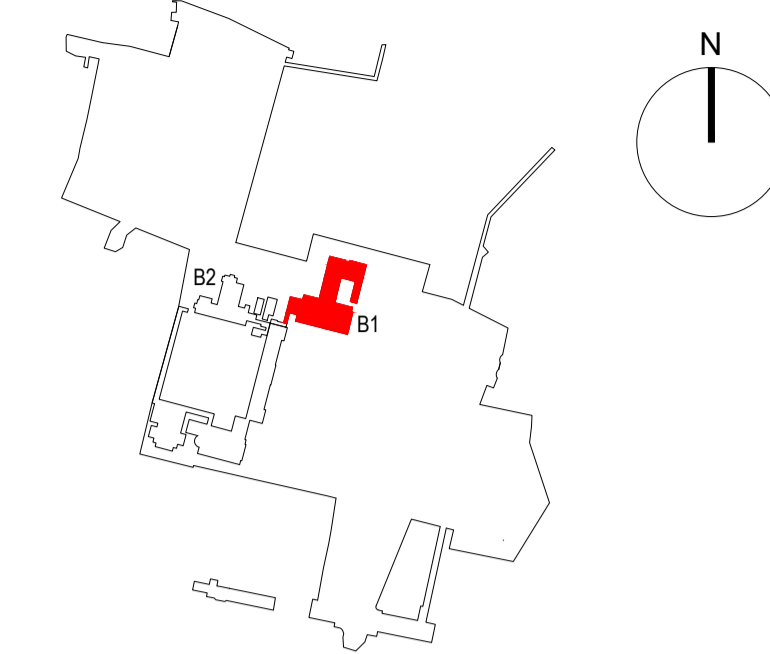
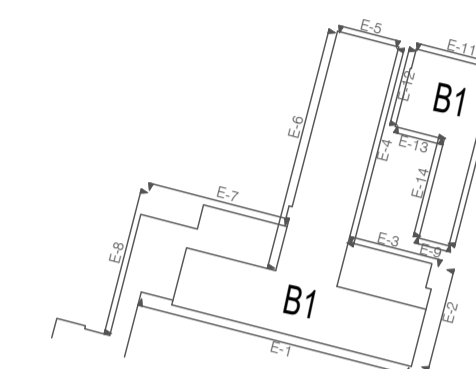


ALL DIMENSIONS TO BE CHECKED ON SITE
NO DIMENSIONS TO BE SCALED FROM THIS DRAWING
DRAWING IS TO BE READ IN CONJUNCTION WITH RELEVANT
CONSULTANTS DRAWINGS

A1



KEY PLAN



ELEVATION KEY

NOTE: REFER TO MCCULLOUGH
MULVIN ARCHITECTS DRAWING
PACK FOR MORE INFORMATION
ON THE EXISTING SEMINARY
BUILDING AND PROPOSED
DEMOLITIONS AND ALTERATIONS

REV	DATE	DESCRIPTION	CKH	DRN
P1	MAY '21	ISSUED FOR PLANNING		NF

STATUS CODE DESCRIPTION
ISSUED FOR PLANNING APPROVAL

APPLICANT NAME

CWTC Multi Family ICAV acting on behalf of its sub-fund DBTR DR1 Fund

PROJECT NAME

Holy Cross College SHD

LOCATION

Holy Cross College, Clonliffe Road, Dublin 3 and Drumcondra Road Lower, Drumcondra, Dublin 9

DRAWING

EXISTING BUILDING ELEVATIONS
BUILDING 1
ELEVATION 8, 9 & 10

PROJECT NUMBER	DATE	
950654	May 21	
SCALE@ A1:	DRAWN/CHECKED:	
1:100	NF	
STATUS CODE:	DRAWING NUMBER	REVISION
A1	CLN-HJL-SW-ZZ-DR-A-2110	P1

Henry J Lyons

Architecture + Interiors
henryjlyons.com

+353 1 888 3333
info@henryjlyons.com

51-54 Pearse Street
Dublin D02 K466



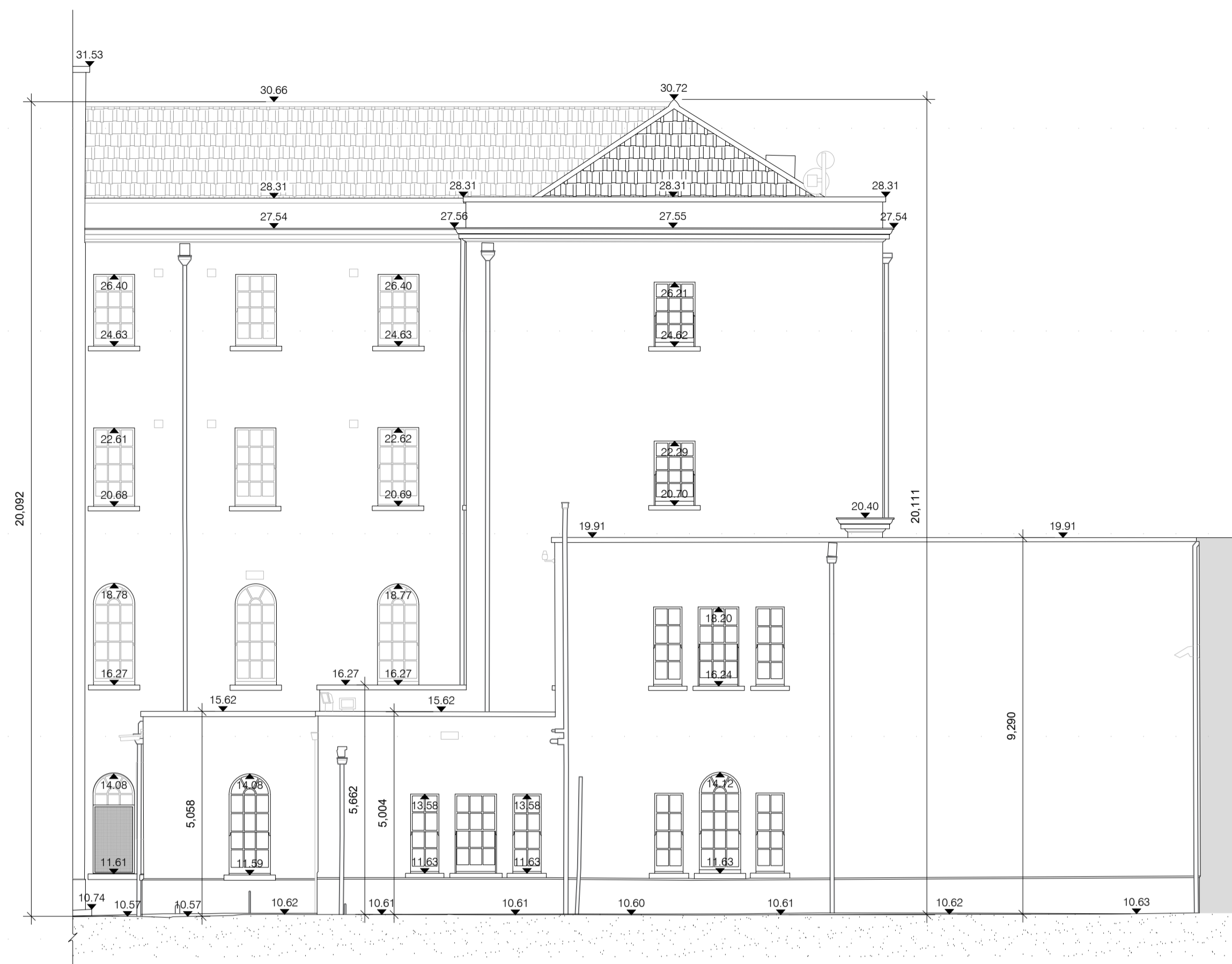
O'Donnell+Tuomey

mcculloughmulvinarchitects

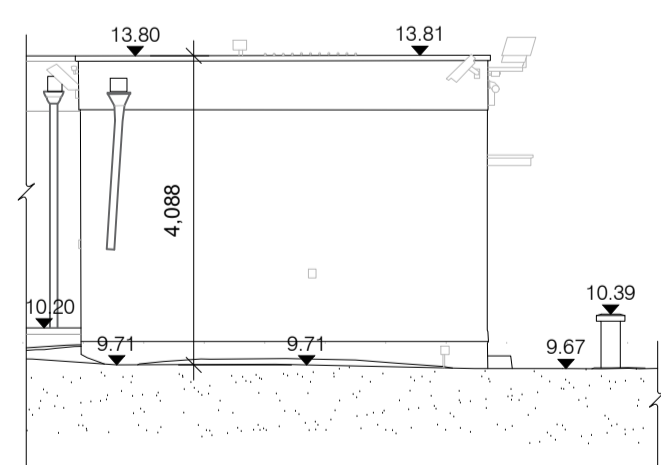
NMP
Niall Montgomery + Partners

o'mahony pike

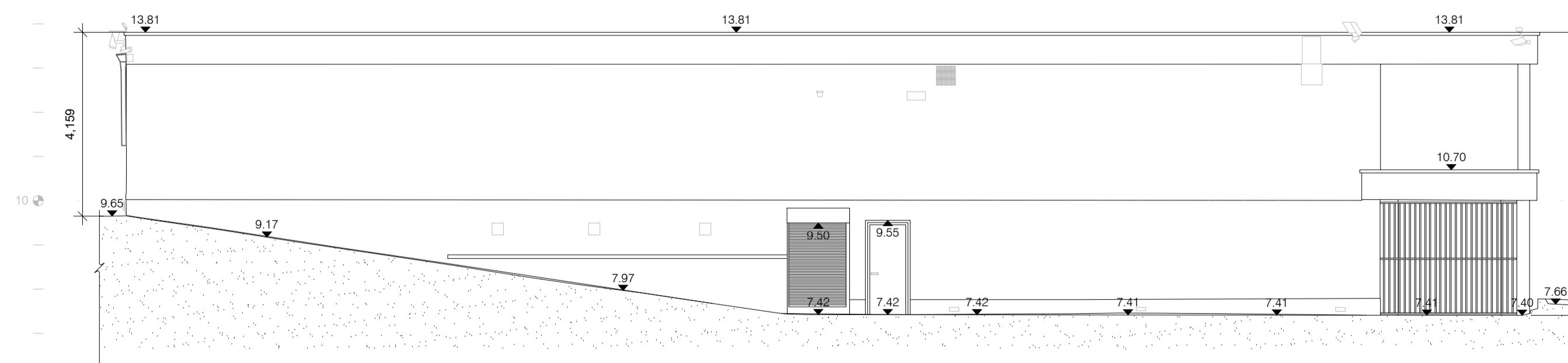
BM
BARRETT MAHONY



1 BUILDING 1 ELEVATION 8
SCALE: 1:100



2 BUILDING 1 ELEVATION 9
SCALE: 1:100



3 BUILDING 1 ELEVATION 10
SCALE: 1:100