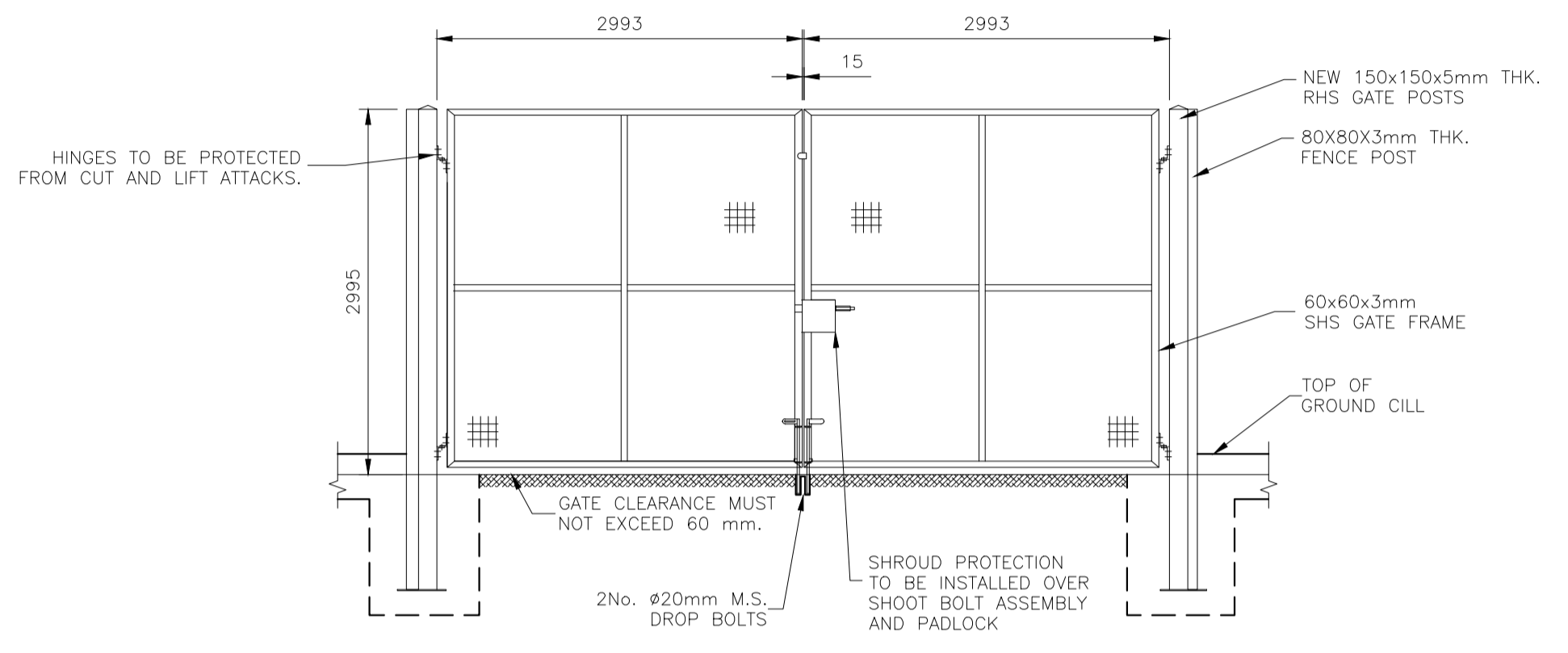
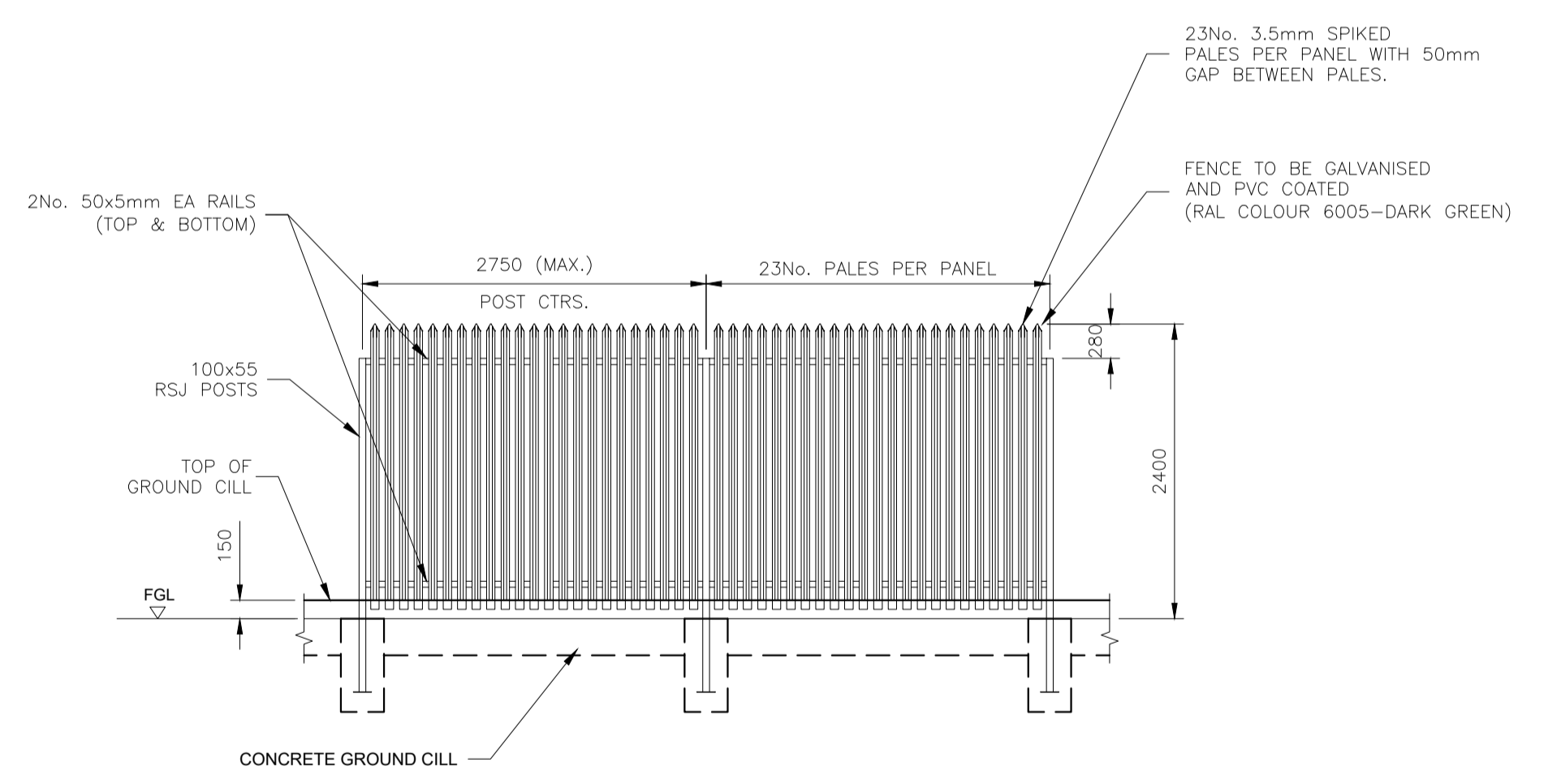


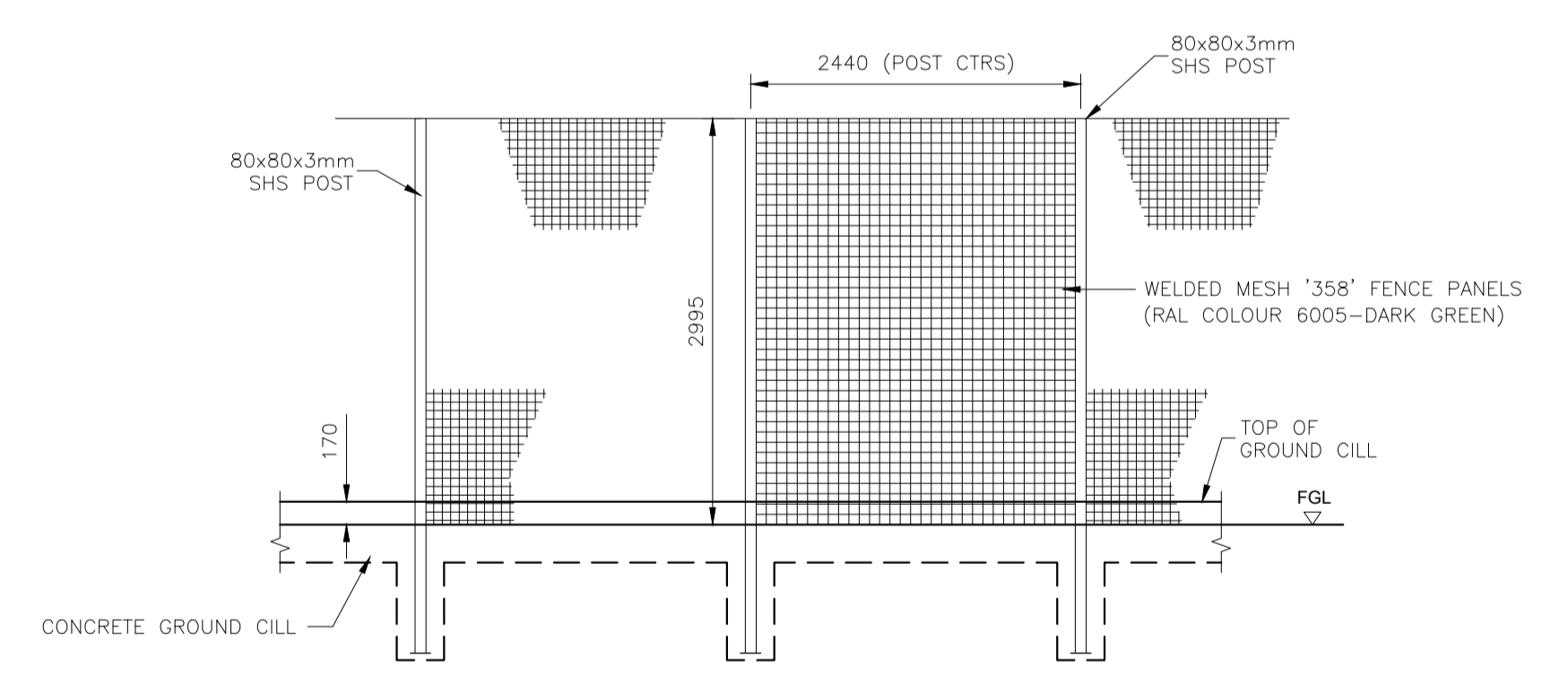
PALISADE ACCESS SECURITY GATE
EXTERNAL ELEVATION
(SCALE 1:50)



WELD MESH 358 ACCESS SECURITY GATE
EXTERNAL ELEVATION
(SCALE 1:50)



TYPICAL PALASADE SECURITY FENCING
EXTERNAL ELEVATION
(SCALE 1:50)



TYPICAL WELD MESH 358 SECURITY FENCING
EXTERNAL ELEVATION
(SCALE 1:50)

NOTES

ISSUE FOR PLANNING

Client
Shannon LNG Limited

REV.	DATE	REVISION	BY	CHKD.	APPR.
1	24/03/21	ISSUE FOR PLANNING	MAH	MC	BF
0	02/10/20	CONCEPTUAL ISSUE	OC	MC	BF

Client
GAS NETWORK IRELAND
P.O. BOX 51, Gasworks Road, Cork
Rep. of Ireland
T: +353 21 4534000
F: +353 21 4534001

Consultant
Fingleton White
Bridge Street Centre
Portlaoise
Co. Laois
R32 W0CC
Ireland
T: (00353)057 866 5400
www.fingleton.ie

Project
SHANNON TECHNOLOGY AND ENERGY PARK (STEP)

Title
SECURITY FENCE & GATES DETAILS

Drawn M.ABOUHJAR	Scale 1:50/A1	Drawing Number	Rev.
Check M.CONROY	Date 24/03/21	1227-02-DC-0002	1
Appr. B.FINGLETON	Status ISSUED		