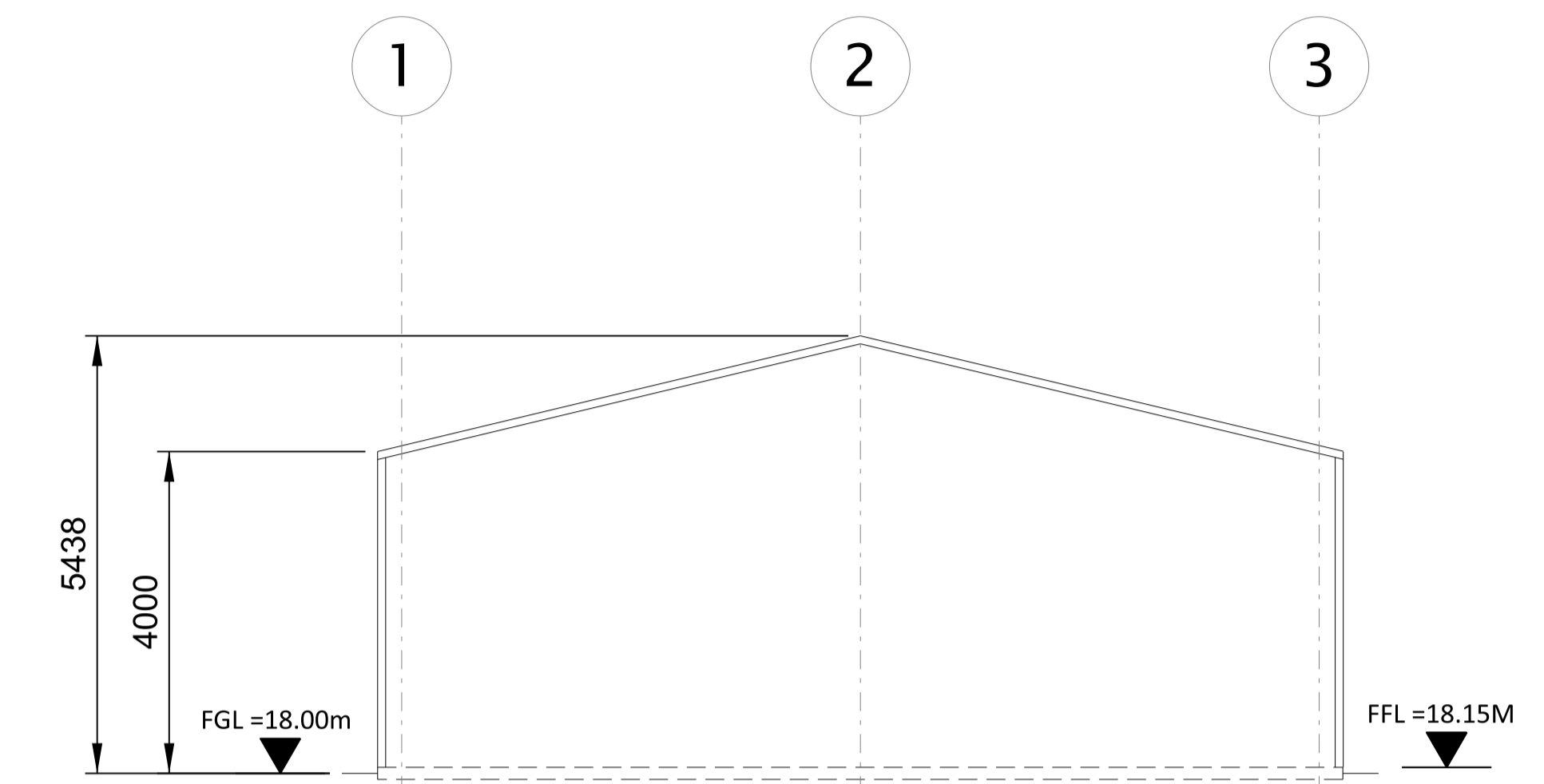


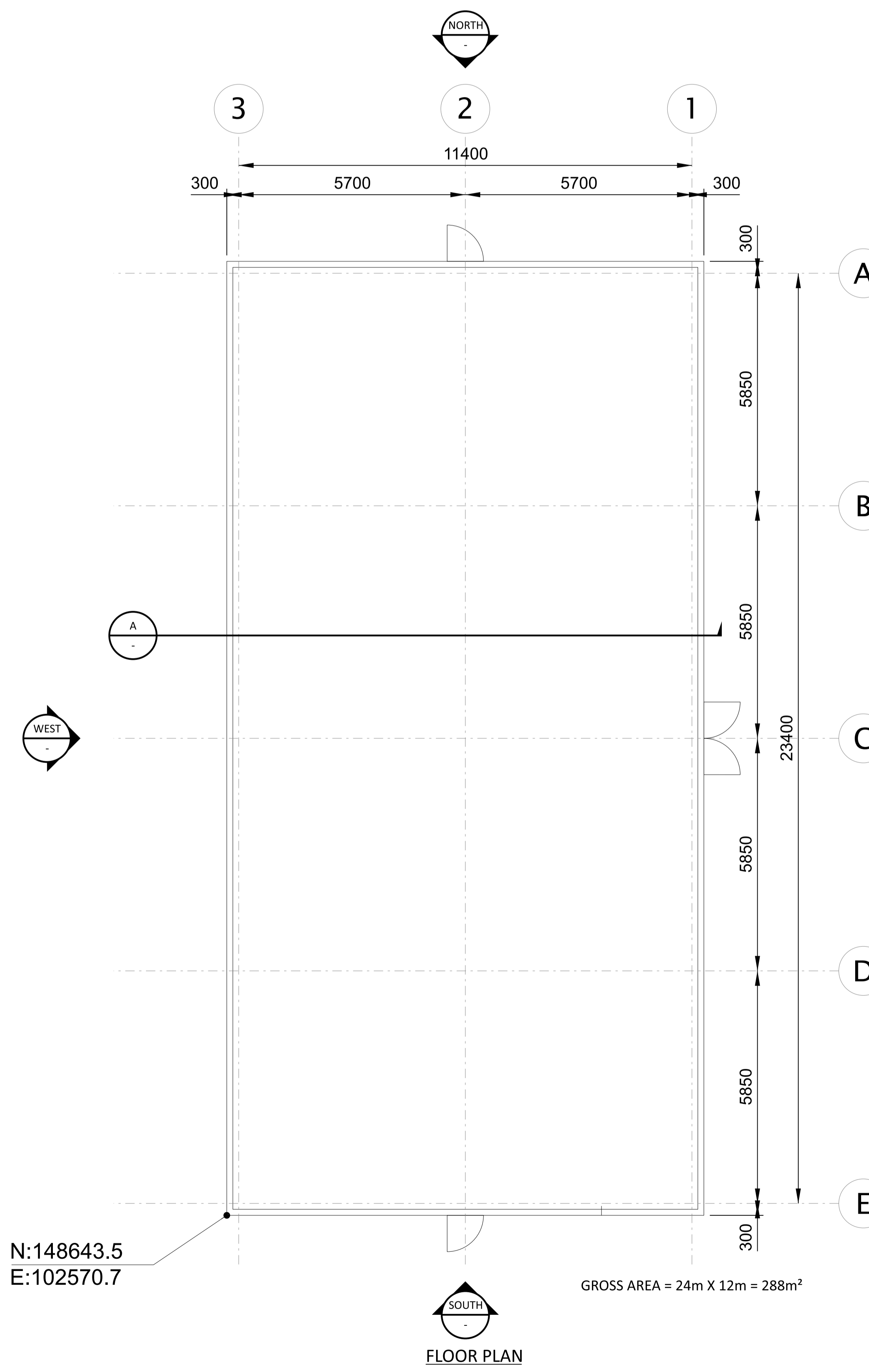
- NOTES:
1. ROOF - COMPOSITE PVC/PLASTISOL LAMINATED INSULATED MEMBRANE WITH INTEGRAL STEEL SUPPORT DECKING, COLOUR CHROME GREEN, RAL 6020.
 2. WALLS - COMPOSITE PVC/PLASTISOL LAMINATED INSULATED VERTICAL PROFILED MODULAR STEEL CLADDING, COLOUR OLIVE GREEN, RAL 6003.
 3. FASCIAS & TRIMS, INCLUDING DOORS, WINDOWS, VENTILATION OPENINGS & SERVICES PENETRATION FRAMES TO BE COLOUR TRAFFIC GREY B, RAL 7043.
 4. THE ENCLOSED DESIGN IS FOR PLANNING PURPOSES ONLY AND NOT FOR CONSTRUCTION. EQUIPMENT LOCATIONS ARE INDICATIVE ONLY AND ARE SUBJECT TO CHANGE WITHIN BUILDING.



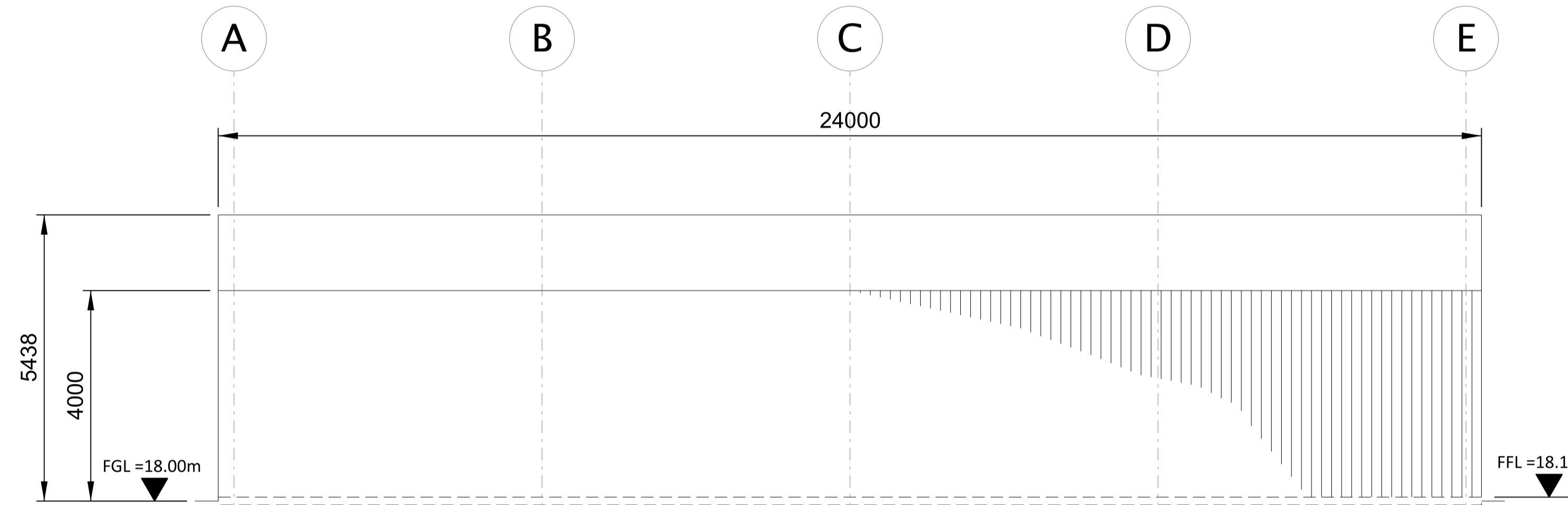
ROOF PLAN



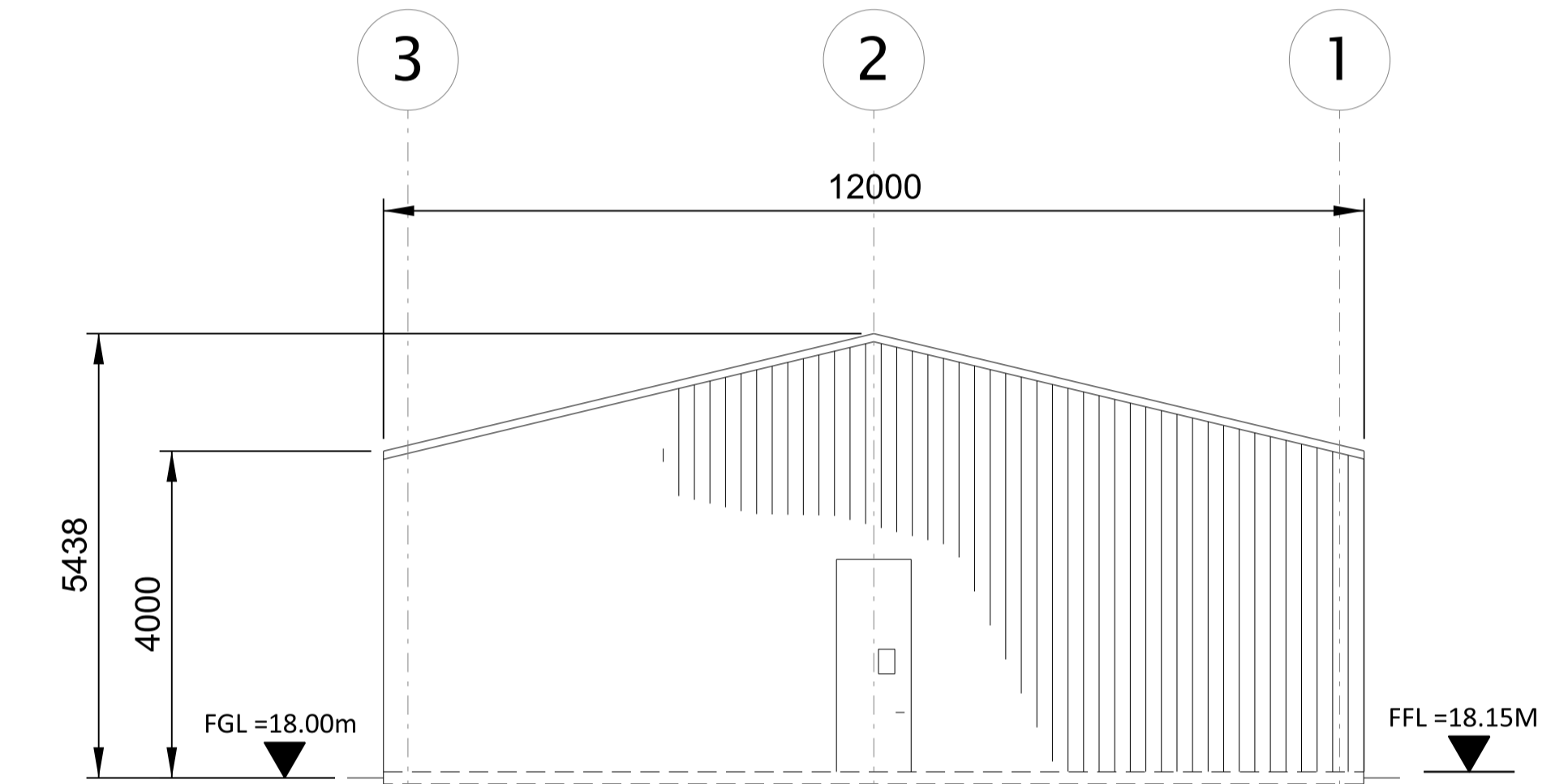
SECTION A-A



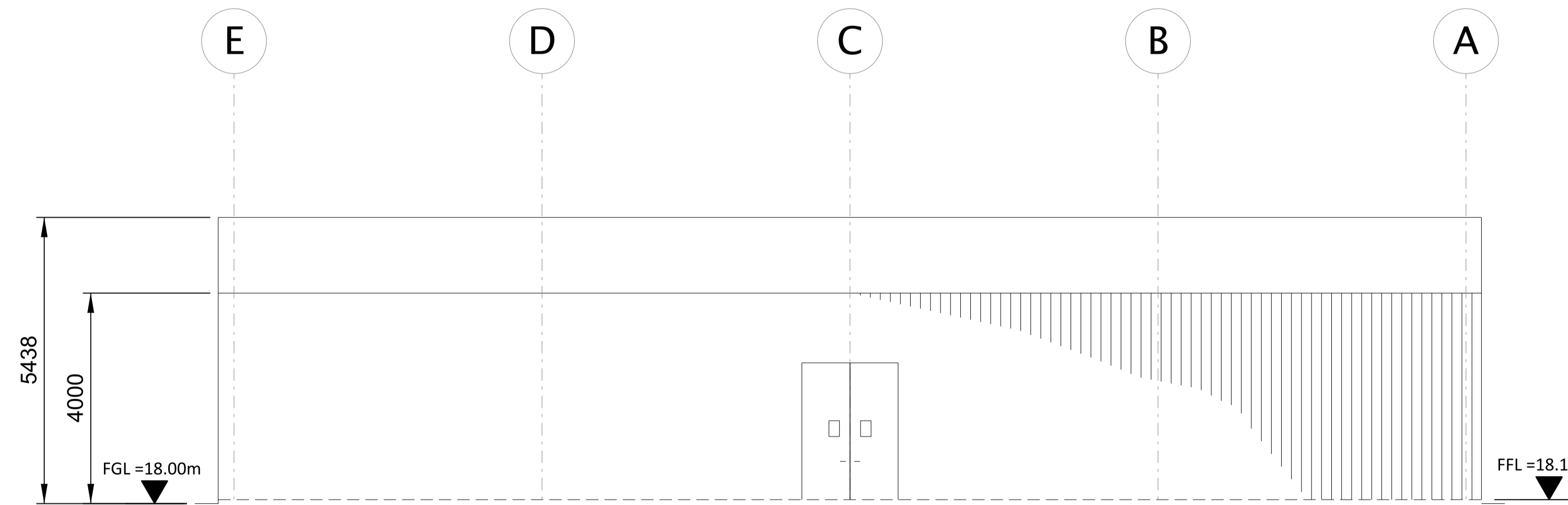
FLOOR PLAN



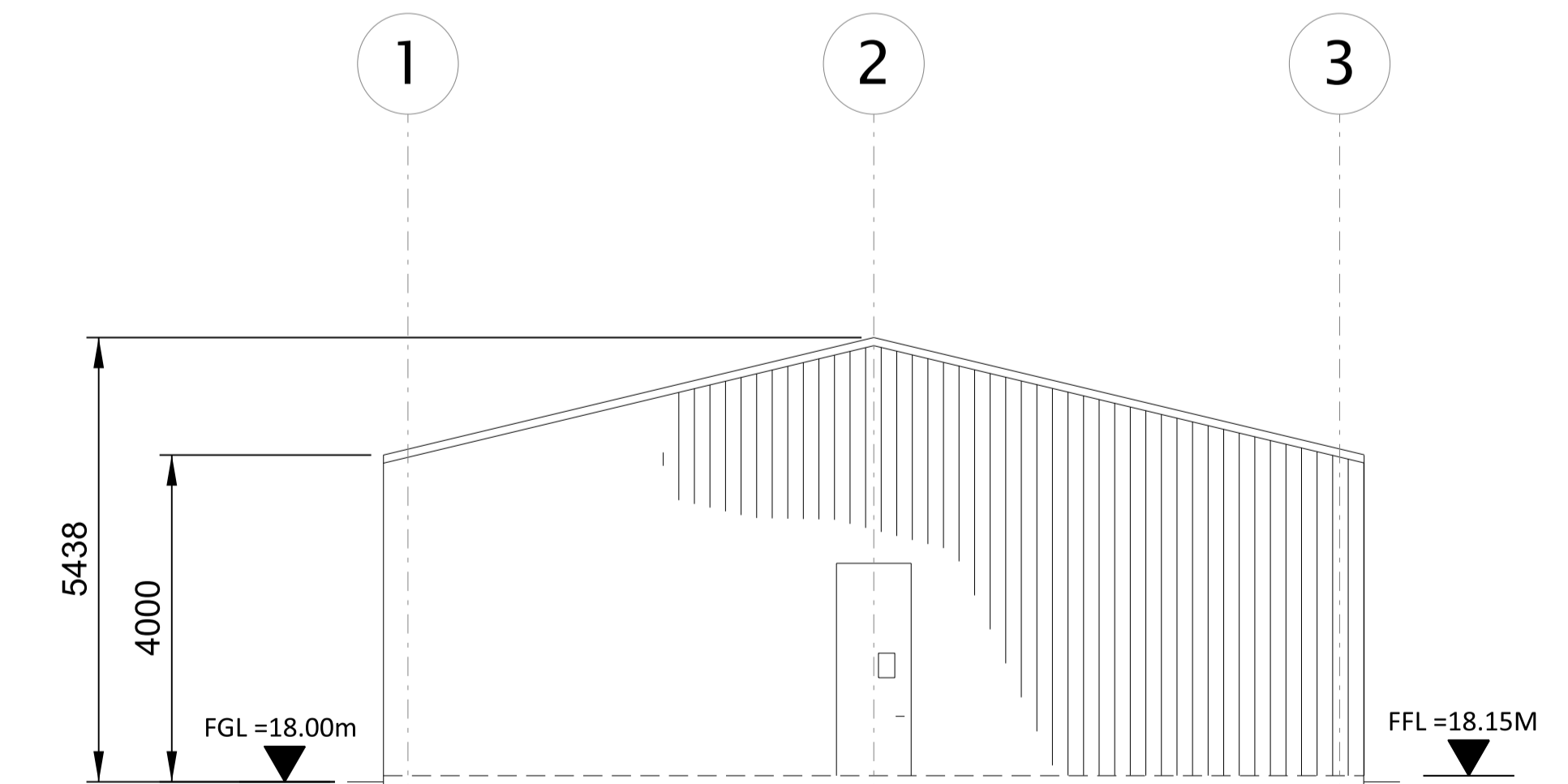
WEST ELEVATION



NORTH ELEVATION



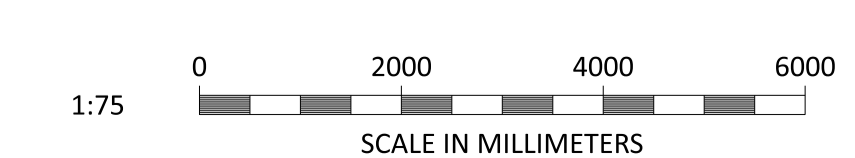
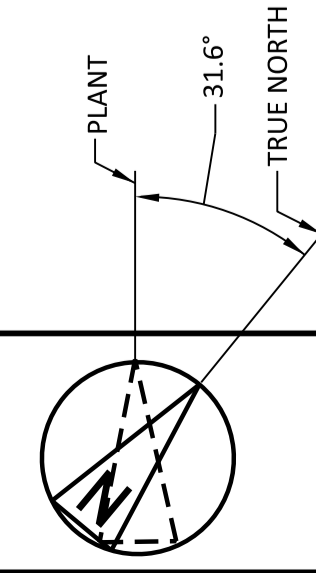
EAST ELEVATION



SOUTH ELEVATION

18/07/2021 04:53 PM
 18/07/2021 04:53 PM
 18/07/2021 04:53 PM

NO	DATE	REVISIONS AND RECORD OF ISSUE	DRN	DES	CHK	PDE	APP
1	18/JUN/2021	ISSUED FOR PLANNING	TMC	DIL		DAC	
0	30/APR/2021	ISSUED FOR PLANNING	TMC	DIL		DAC	



BLACK & VEATCH CORP HEADQUARTERS:
 11401 LAMAR AVENUE, OVERLAND PARK,
 KANSAS, USA

BLACK & VEATCH

CHECKED: _____ DATE: _____
 DRAWN: _____

SHANNON LNG LIMITED
 SHANNON TECHNOLOGY AND ENERGY PARK (STEP)
 N2 GENERATION PACKAGE CONTROLS BUILDING
 PLAN ELEVATIONS AND SECTION

PROJECT	DRAWING NUMBER	REV
198291-SS-A4006		1

NOT TO BE USED FOR CONSTRUCTION
 THE DISTRIBUTION AND USE OF THE NATIVE
 FORMAT CAD FILE OF THIS DRAWING IS
 UNCONTROLLED. THE USER SHALL VERIFY
 TRACEABILITY OF THIS DRAWING TO THE LATEST
 CONTROLLED VERSION.