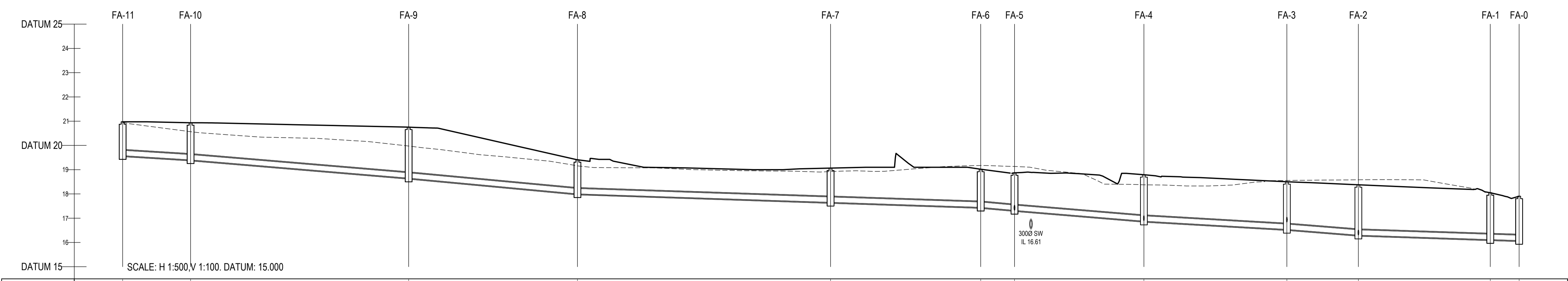
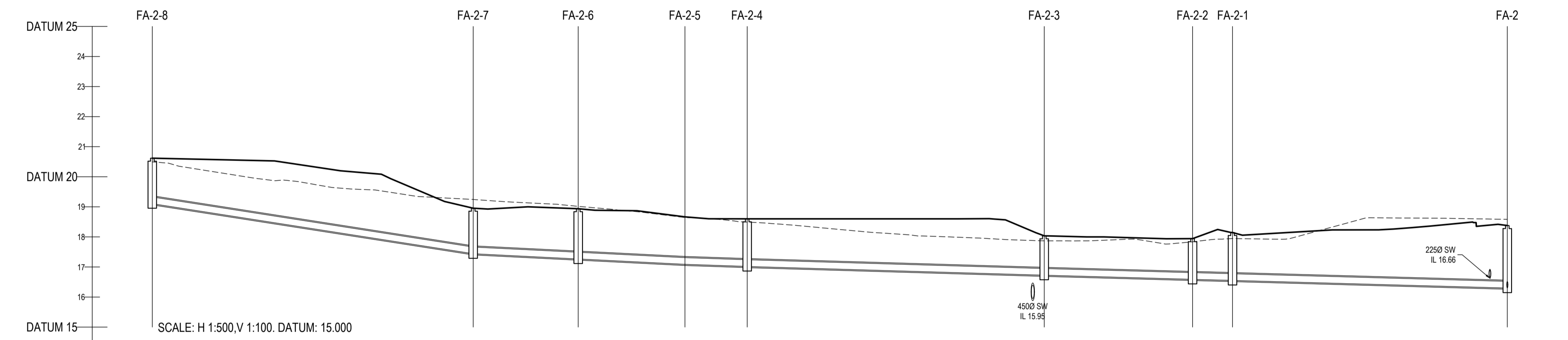


- NOTES:
- ALL DRAWINGS TO BE CHECKED BY CONTRACTOR ON SITE AND ENGINEER INFORMED OF DISCREPANCIES BEFORE WORK COMMENCES
 - ALL LEVELS ARE IN METRES AND ARE RELATED TO ORDINANCE DATUM
 - CONTRACTOR SHALL SATISFY HIMSELF AS TO THE ACCURACY OF PAVEMENT LEVELS ON SITE PRIOR TO COMMENCEMENT OF WORKS ON SITE
 - ALL WORKS TO BE CONSTRUCTED IN ACCORDANCE WITH THE NRA SPECIFICATION FOR ROAD WORKS UNLESS NOTED OTHERWISE
 - THIS DRAWING IS FOR PLANNING PURPOSES ONLY
 - MANHOLE COVER LEVELS ARE TO CONFORM WITH FINISHED ROAD AND PATH LEVELS
 - WHERE COVER TO PIPE IS LESS THAN 1200mm (ROADPATH VERGE) OR 900mm (OPEN SPACE) SURROUND PIPE IN MINIMUM 150mm CONCRETE

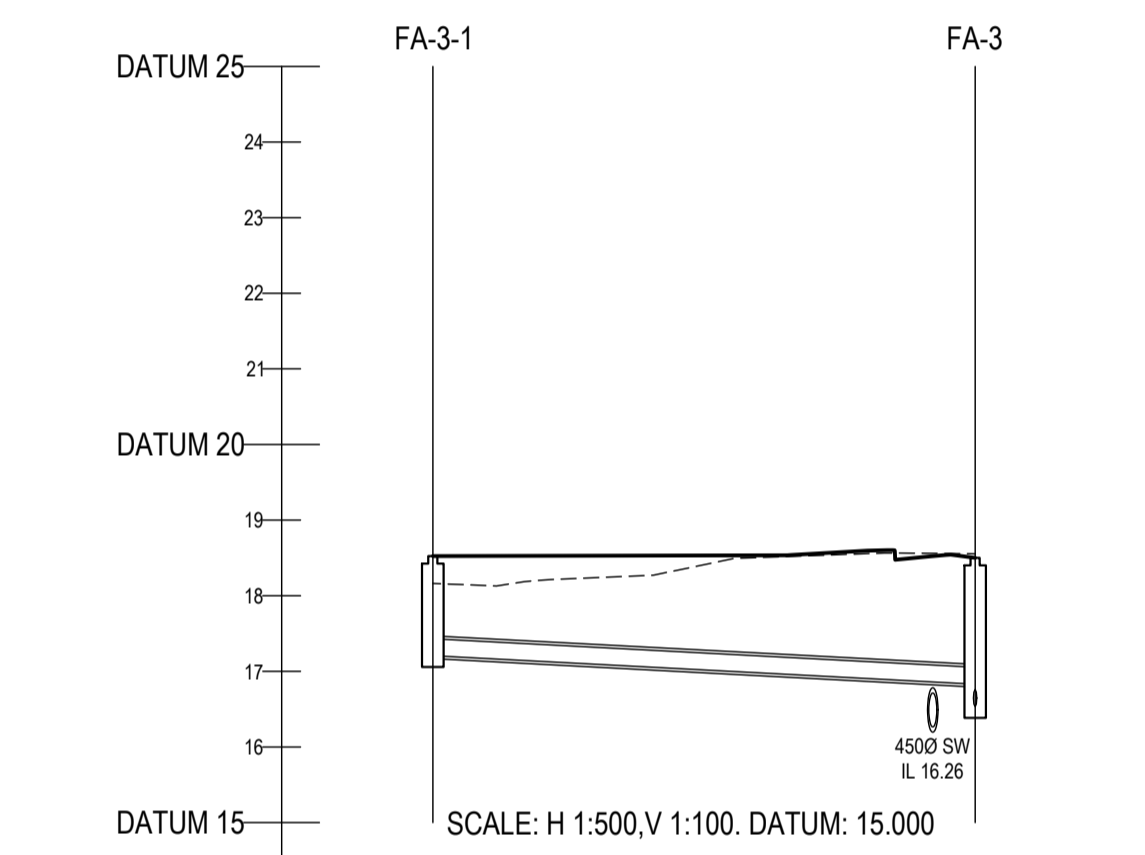


COVER LEVEL	20.975	20.935	20.754	19.408	19.066	19.018	18.871	18.793	18.502	18.378	18.049	17.906
INVERT LEVEL	19.975	19.421	18.649	18.000	17.651	17.445	17.318	16.875	16.534	16.297	16.115	16.016
DEPTH (m)	1.000	1.514	2.106	1.408	1.415	1.573	1.553	1.918	1.968	2.081	1.934	1.830
DISTANCE (m)	14.03	45.03	34.86	52.27	31.01	6.98	26.72	29.53	14.77	27.24	5.96	
PIPE SLOPE	1.81	1.60	1.54	1.150	1.151	1.55	1.60	1.87	1.62	1.150	1.153	
PIPE SIZE	225mm	225mm	225mm	225mm	225mm	225mm	225mm	225mm	225mm	225mm	225mm	

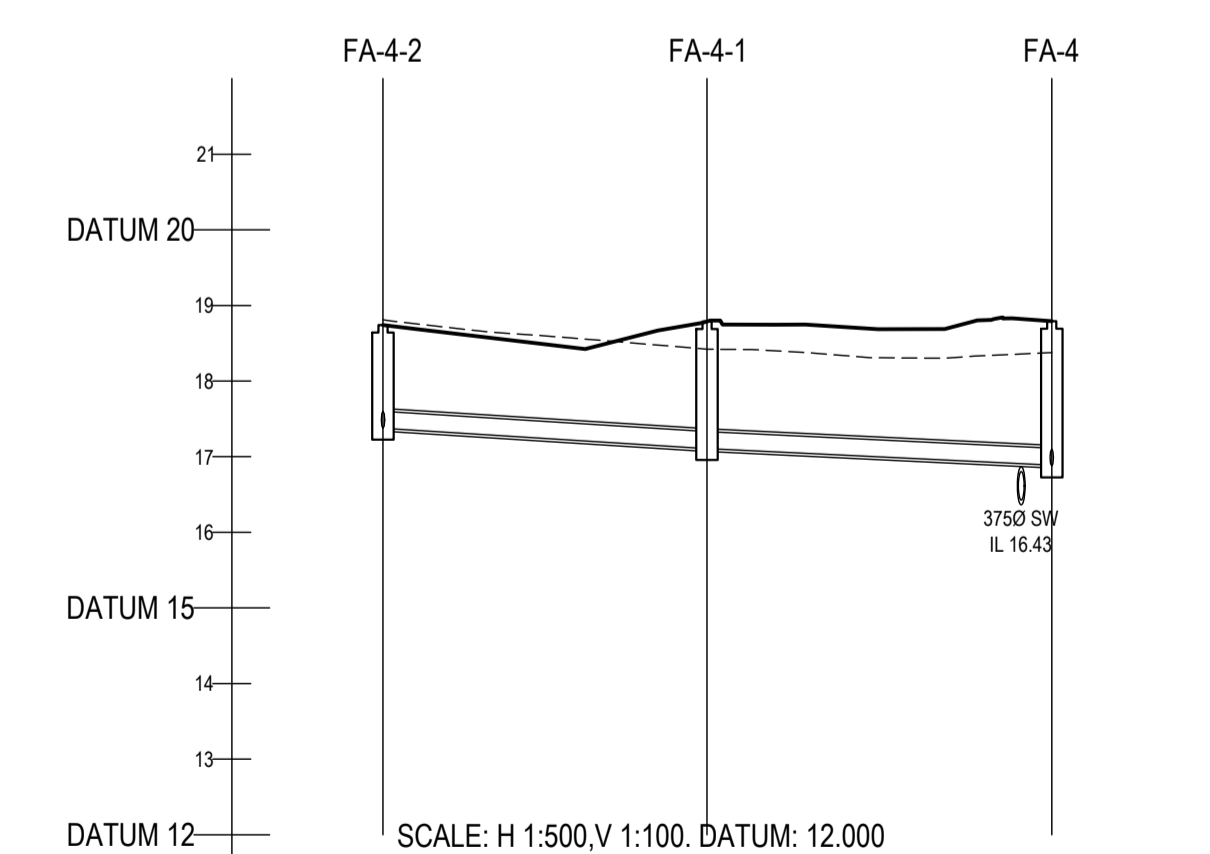
KEY
 - - - - - EXISTING GROUND PROFILE
 ——— PROPOSED GROUND PROFILE



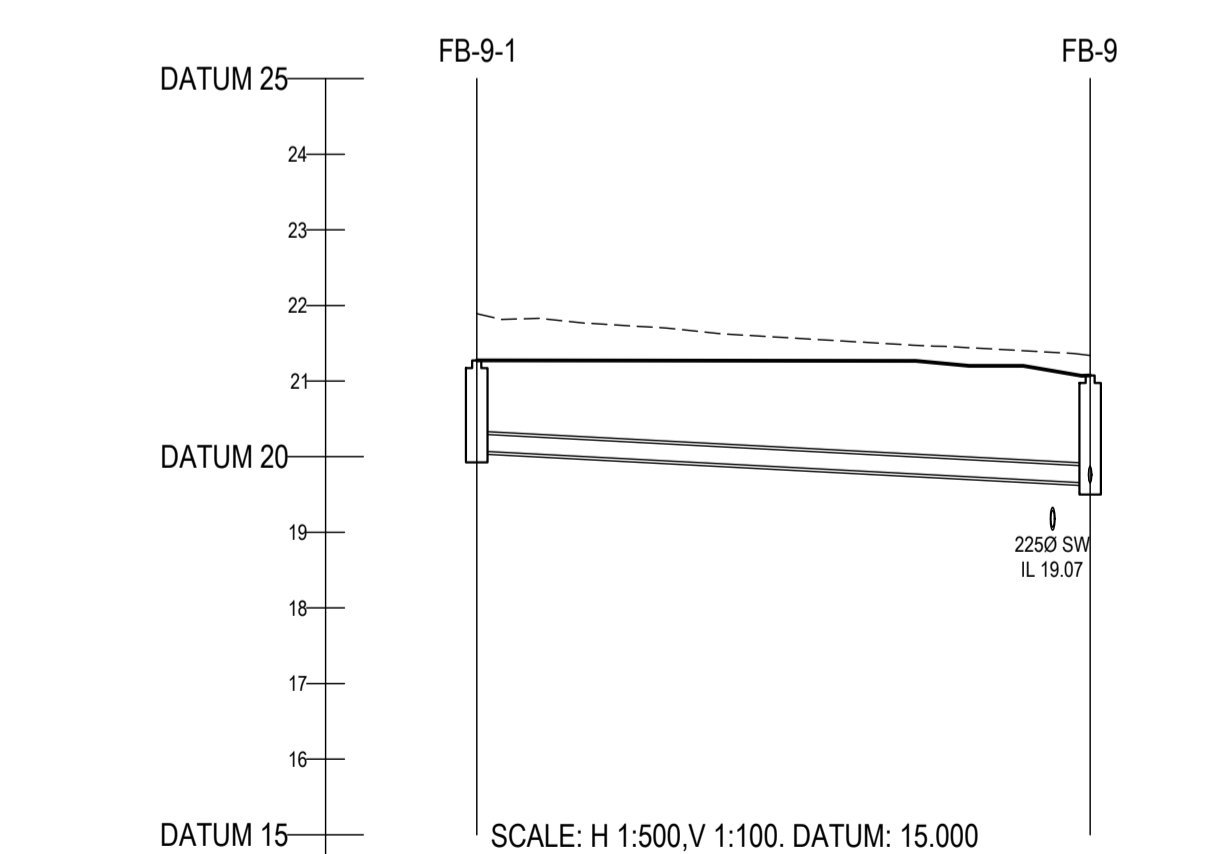
COVER LEVEL	20.618	18.854	18.837	18.685	18.601	18.008	17.942	18.145	18.378
INVERT LEVEL	19.104	17.439	17.265	17.087	17.016	16.725	16.598	16.551	16.297
DEPTH (m)	1.514	1.515	1.572	1.579	1.585	1.311	1.354	1.594	2.081
DISTANCE (m)	53.37	17.47	17.76	10.34	49.41	24.67	6.64	45.70	
PIPE SLOPE	1.32	1.100	1.100	1.146	1.170	1.180	1.180	1.195	
PIPE SIZE	225mm	225mm	225mm	225mm	225mm	225mm	225mm	225mm	



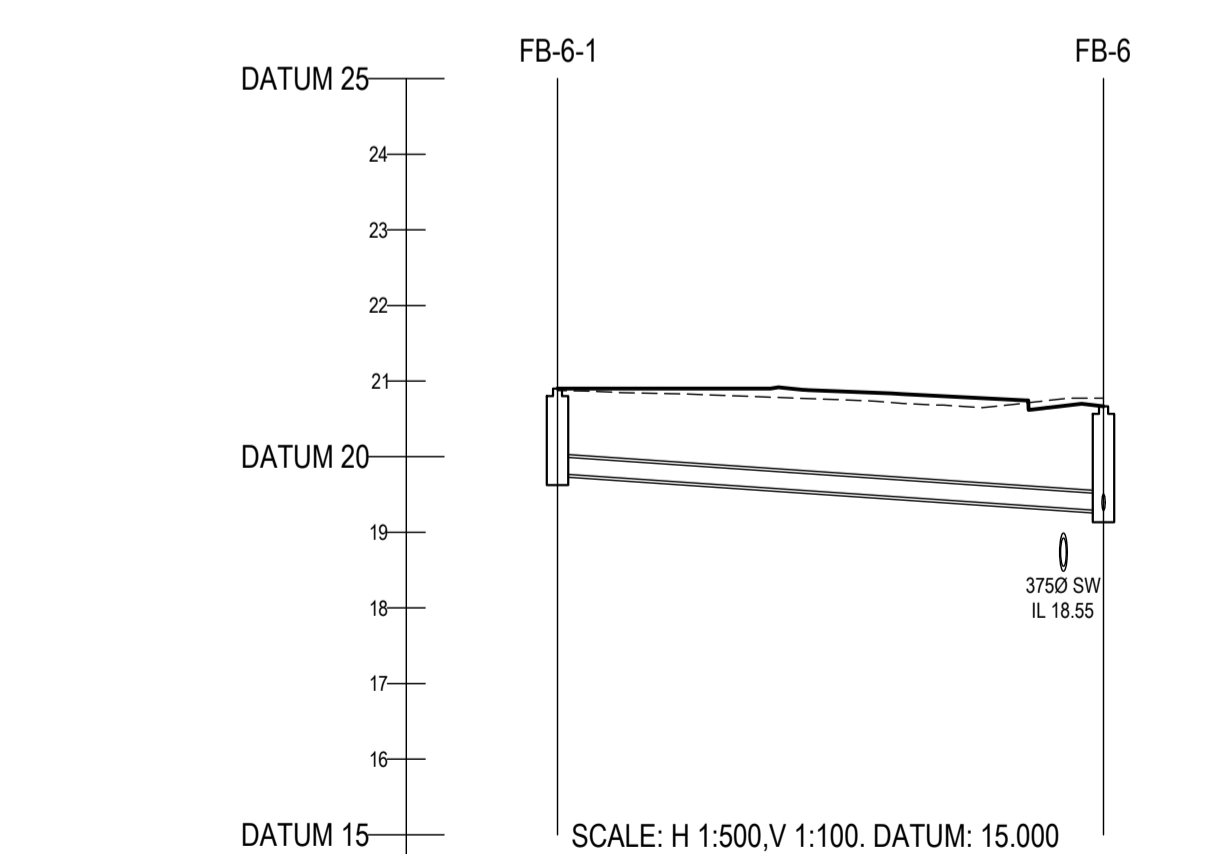
COVER LEVEL	18.824	18.802
INVERT LEVEL	17.207	16.829
DEPTH (m)	1.617	1.973
DISTANCE (m)	35.87	
PIPE SLOPE	1.95	
PIPE SIZE	225mm	



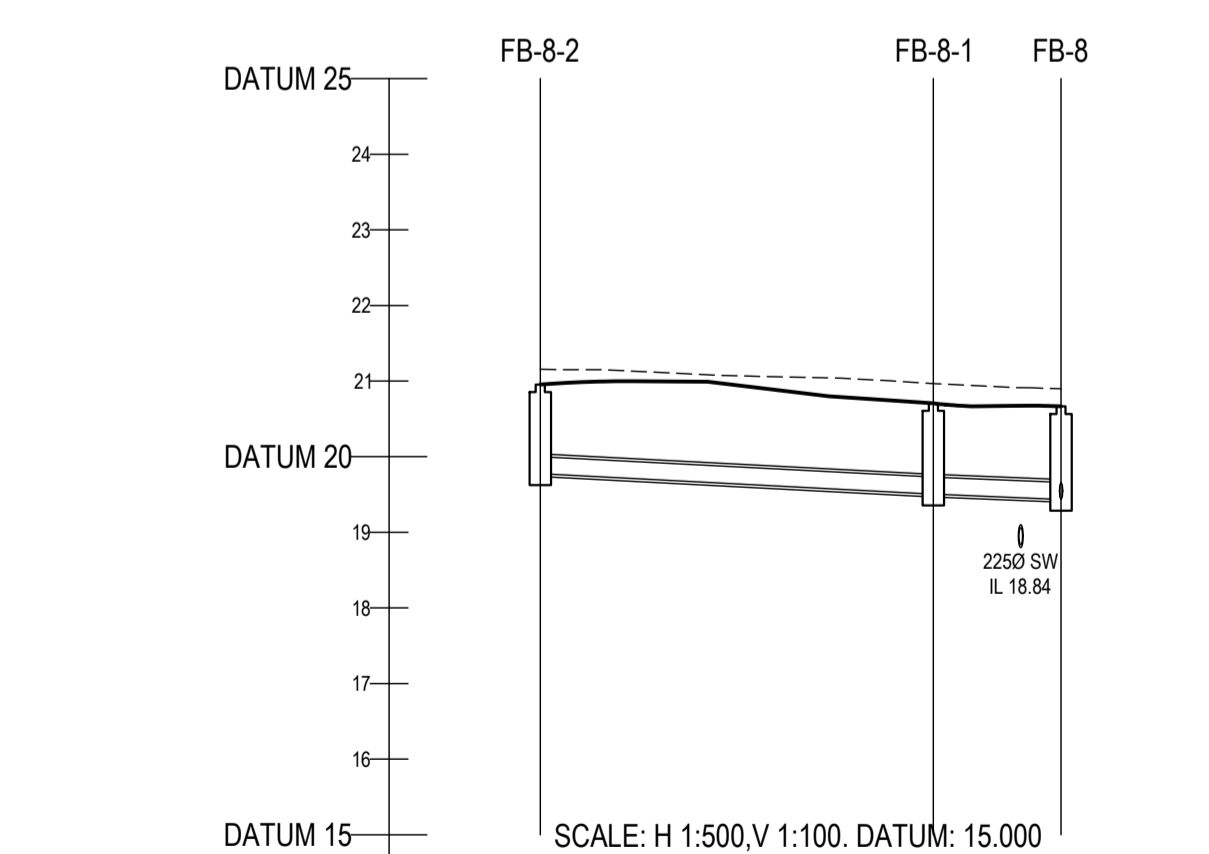
COVER LEVEL	18.740	18.787	18.793
INVERT LEVEL	17.375	17.107	16.888
DEPTH (m)	1.365	1.680	1.918
DISTANCE (m)	21.43	22.80	
PIPE SLOPE	1.80	1.104	
PIPE SIZE	225mm	225mm	



COVER LEVEL	21.272	21.075
INVERT LEVEL	20.075	19.850
DEPTH (m)	1.197	1.425
DISTANCE (m)	40.57	
PIPE SLOPE	1.95	
PIPE SIZE	225mm	



COVER LEVEL	20.900	20.865
INVERT LEVEL	19.775	19.284
DEPTH (m)	1.125	1.381
DISTANCE (m)	36.11	
PIPE SLOPE	1.74	
PIPE SIZE	225mm	



COVER LEVEL	20.953	20.705	20.865
INVERT LEVEL	19.775	19.505	19.435
DEPTH (m)	1.178	1.200	1.230
DISTANCE (m)	26.00	8.44	
PIPE SLOPE	1.96	1.121	
PIPE SIZE	225mm	225mm	

P01	25-08-21	PLANNING	RMC	EDA
rev	date	description	by	chkd.
		A - Approved		
		B - Approved with comments		
		C - Do not use		
suitability		issue purpose		
S2 - INFORMATION		PLANNING		

DBFL Consulting Engineers
 Civil, Structural & Transportation Engineering
 www.dbfl.ie

DUBLIN OFFICE: Ormond House, Upper Ormond Quay, Dublin 7, D07 W704
 PHONE: +353 (0)1 453 4300

CORK OFFICE: Phoenix House, Monahan Road, Cork, T12 H1XV
 PHONE: +353 (0)21 2054538

WATERFORD OFFICE: Suite 10 The Arkun, Maritime Gate, Canada Street, Waterford, X91 W028
 PHONE: +353 (0)51 309 500

project ref.
SANDFORD ROAD, MILLTOWN

drawing title
FOUL WATER LONGSECTIONS SHEET
 1

client
SANDFORD LIVING LIMITED

designed by
 EDA

author
 RMC

scale
 AS SHOWN

sheet size
 A1

drawing no.
 190226-DBFL-FW-SP-DR-C-3001

revision
 P01