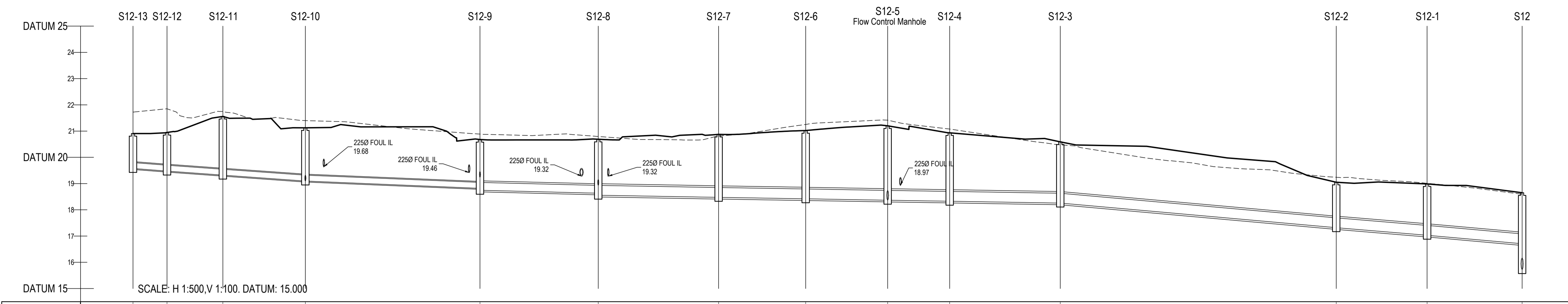
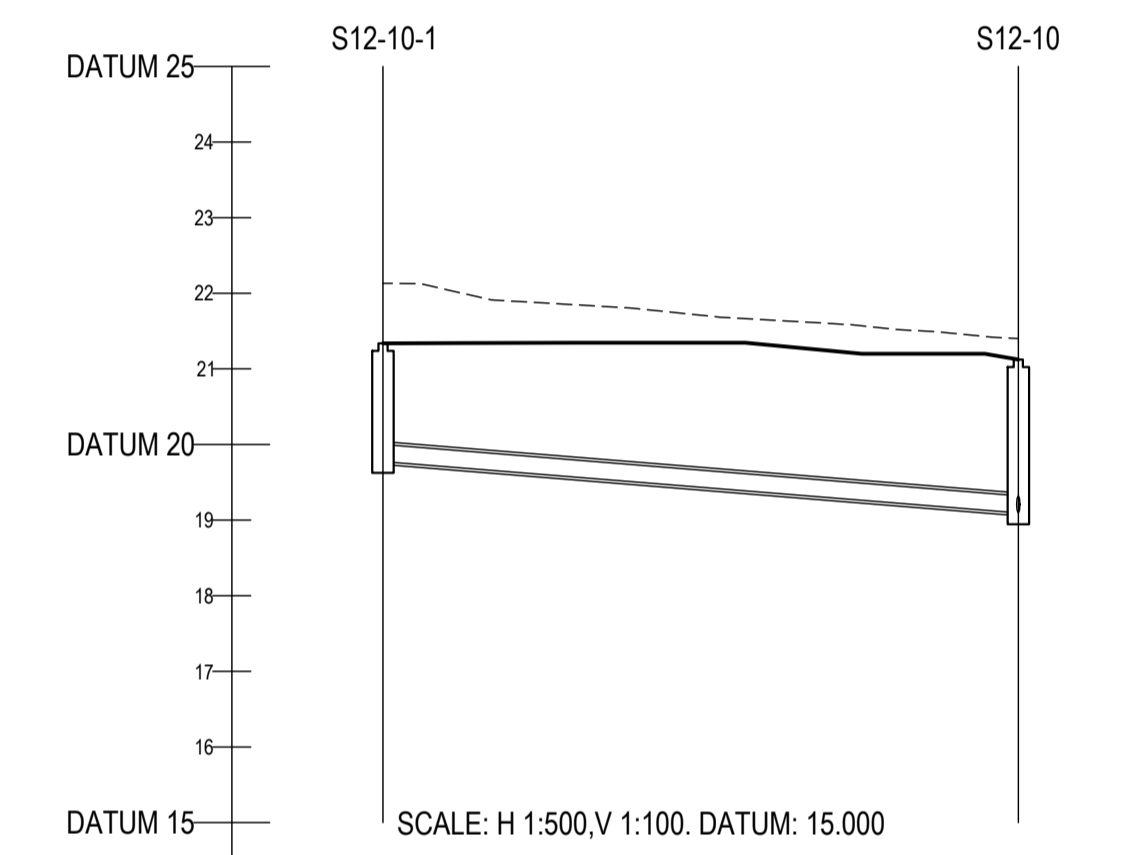


- NOTES:
- ALL DRAWINGS TO BE CHECKED BY CONTRACTOR ON SITE AND ENGINEER INFORMED OF DISCREPANCIES BEFORE WORK COMMENCES
 - ALL LEVELS ARE IN METRES AND ARE RELATED TO ORDNANCE DATUM
 - CONTRACTOR SHALL SATISFY HIMSELF AS TO THE ACCURACY OF PAVEMENT LEVELS ON SITE PRIOR TO COMMENCEMENT OF WORKS ON SITE
 - ALL WORKS TO BE CONSTRUCTED IN ACCORDANCE WITH THE NRA SPECIFICATION FOR ROAD WORKS UNLESS NOTED OTHERWISE
 - THIS DRAWING IS FOR PLANNING PURPOSES ONLY
 - MANHOLE COVER LEVELS ARE TO CONFORM WITH FINISHED ROAD AND PATH LEVELS
 - WHERE COVER TO PIPE IS LESS THAN 1200mm (ROADPATH VERGE) OR 900mm (OPEN SPACE) SURROUND PIPE IN MINIMUM 150mm CONCRETE

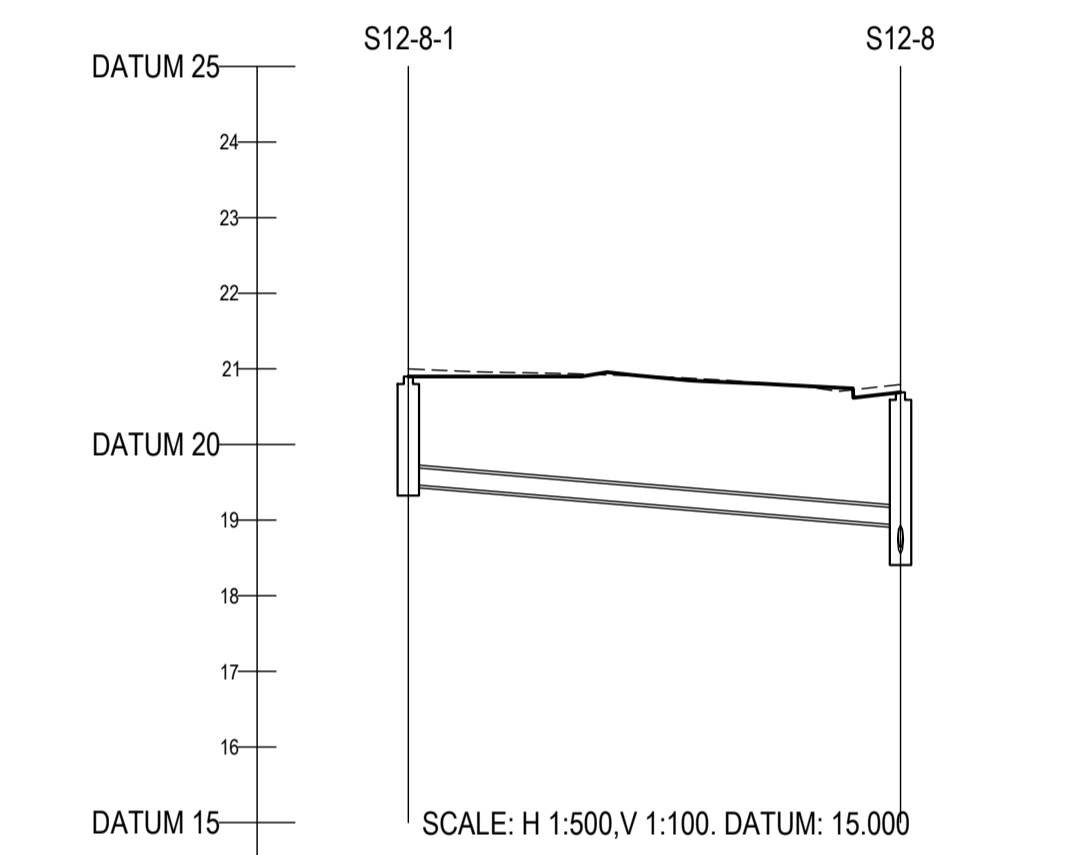


COVER LEVEL	20.960	20.947	21.950	21.125	20.679	20.690	20.876	21.020	21.200	20.935	20.989	19.050	18.967	18.649
INVERT LEVEL	19.575	19.476	19.321	19.006	18.819	18.631	18.474	18.419	18.365	18.327	18.257	17.318	17.000	16.707
DEPTH (m)	1.333	1.471	2.239	2.029	1.935	2.154	2.402	2.601	2.835	2.668	5.010	1.732	1.957	2.292
DISTANCE (m)	6.47	10.64	15.71	33.25	22.53	22.92	16.58	15.81	11.81	21.06	52.56	17.31	18.09	
PIPE SLOPE	1.65	1.69	1.70	1.120	1.199	1.279	1.302	1.289	1.311	1.301	1.56	1.60	1.56	
PIPE SIZE	225mm	225mm	225mm	225mm	300mm	375mm	375mm	375mm	375mm	375mm	375mm	375mm	375mm	

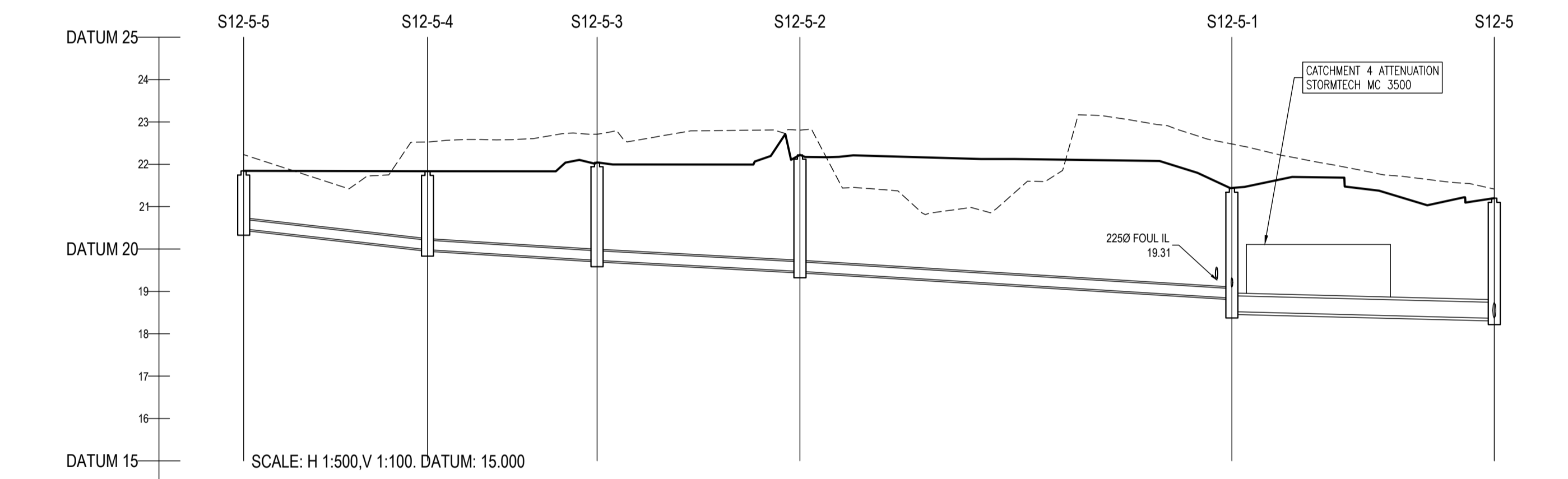
KEY
 --- EXISTING GROUND PROFILE
 - - - PROPOSED GROUND PROFILE



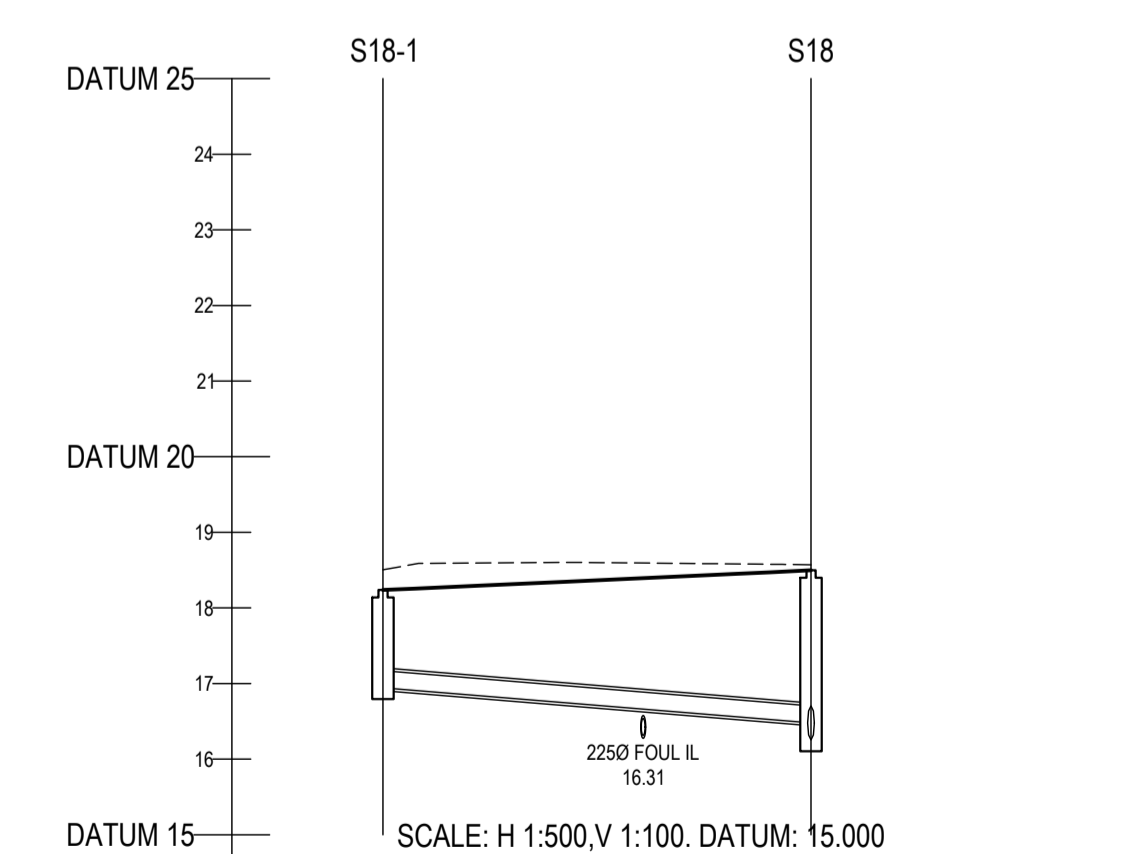
COVER LEVEL	21.338	21.125
INVERT LEVEL	19.775	19.096
DEPTH (m)	1.563	2.029
DISTANCE (m)	42.02	
PIPE SLOPE	1.62	
PIPE SIZE	225mm	



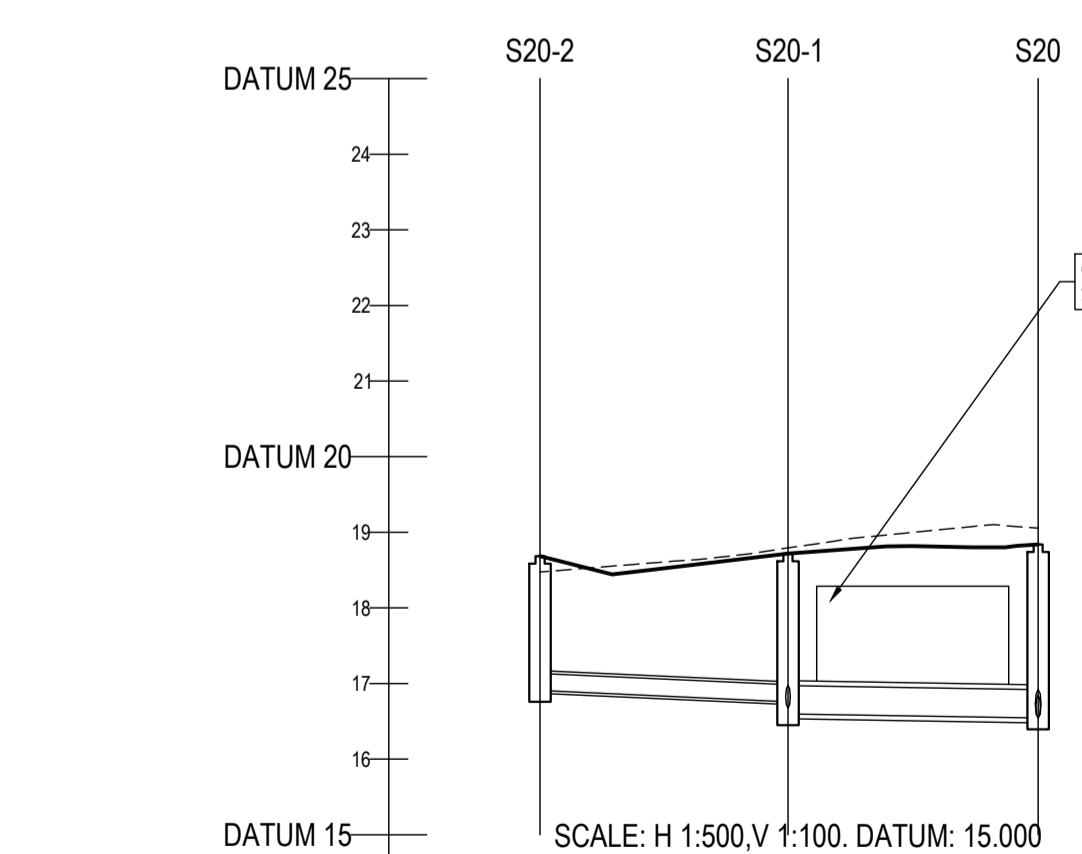
COVER LEVEL	20.930	20.690
INVERT LEVEL	19.475	18.932
DEPTH (m)	1.425	2.134
DISTANCE (m)	32.55	
PIPE SLOPE	1.60	
PIPE SIZE	225mm	



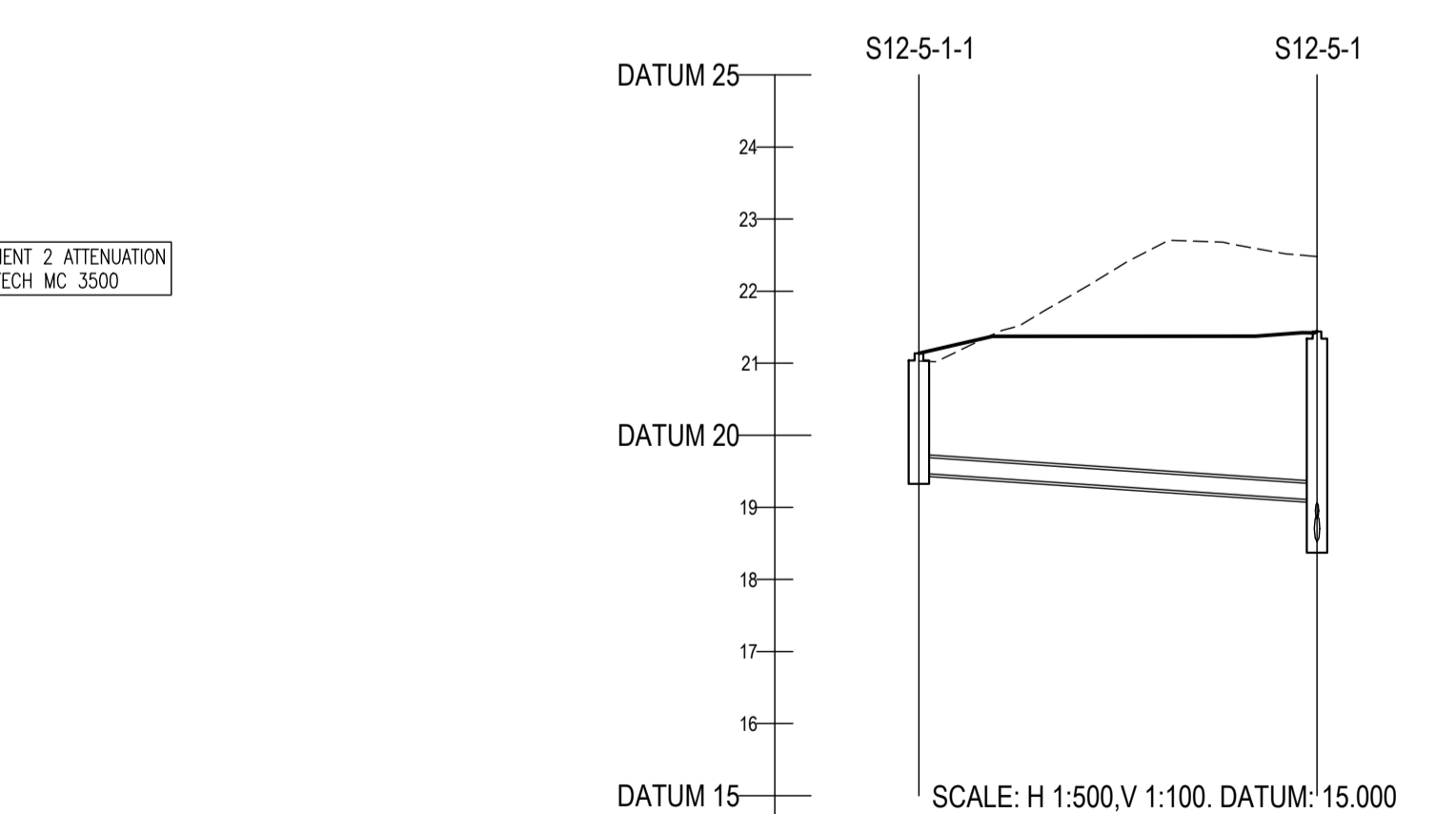
COVER LEVEL	21.846	21.837	22.044	22.221	21.441	21.200
INVERT LEVEL	20.475	19.983	19.363	19.472	18.641	18.365
DEPTH (m)	1.371	1.854	2.311	2.749	2.820	2.835
DISTANCE (m)	21.70	20.01	23.95	50.98	30.97	
PIPE SLOPE	1.44	1.90	1.92	1.81	1.199	
PIPE SIZE	225mm	225mm	225mm	225mm	375mm	



COVER LEVEL	18.228	18.498
INVERT LEVEL	16.944	16.479
DEPTH (m)	1.284	2.044
DISTANCE (m)	28.31	
PIPE SLOPE	1.61	
PIPE SIZE	225mm	



COVER LEVEL	18.685	18.717	18.839
INVERT LEVEL	16.908	16.759	16.596
DEPTH (m)	1.777	2.119	2.236
DISTANCE (m)	16.40	16.55	
PIPE SLOPE	1.110	1.301	
PIPE SIZE	225mm	375mm	



COVER LEVEL	21.138	21.441
INVERT LEVEL	19.475	19.096
DEPTH (m)	1.663	2.320
DISTANCE (m)	27.63	
PIPE SLOPE	1.73	
PIPE SIZE	225mm	

rev	date	description	RMC	EDA
P01	25-08-21	PLANNING		
A-		Approved		
B-		Approved with comments		
C-		Do not use		

client approval

suitability issue purpose

S2 - INFORMATION PLANNING

DBFL Consulting Engineers
 Civil, Structural & Transportation Engineering
 www.dbfl.ie

DUBLIN OFFICE: Ormond House, Upper Ormond Quay, Dublin 7, D07 W704
 PHONE: +353 1 430 4000

CORK OFFICE: Phoenix House, Monahan Road, Cork, T12 H1KX
 PHONE: +353 (0) 21 2054538

WATERFORD OFFICE: Suite 10 The Arkun, Maritime Gate, Canada Street, Waterford, X91 W028
 PHONE: +353 51 309 500

project ref.

SANDFORD ROAD, MILLTOWN

drawing title

SURFACE WATER LONGSECTIONS
 SHEET 2

client

SANDFORD LIVING LIMITED

designed by EDA author RMC scale AS SHOWN sheet size A1
 drawing no. 190226-DBFL-SW-SP-DR-C-3002 revision P01