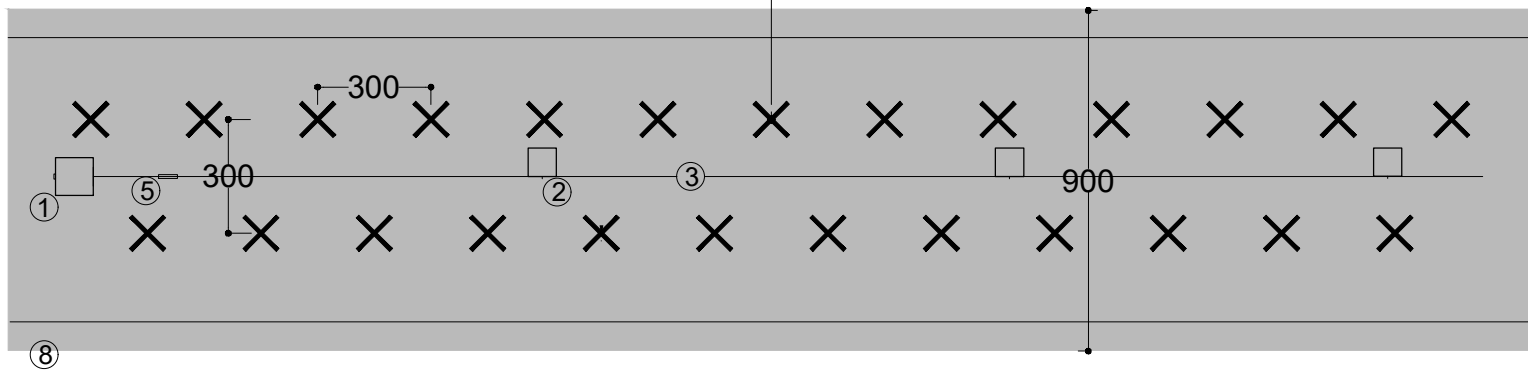
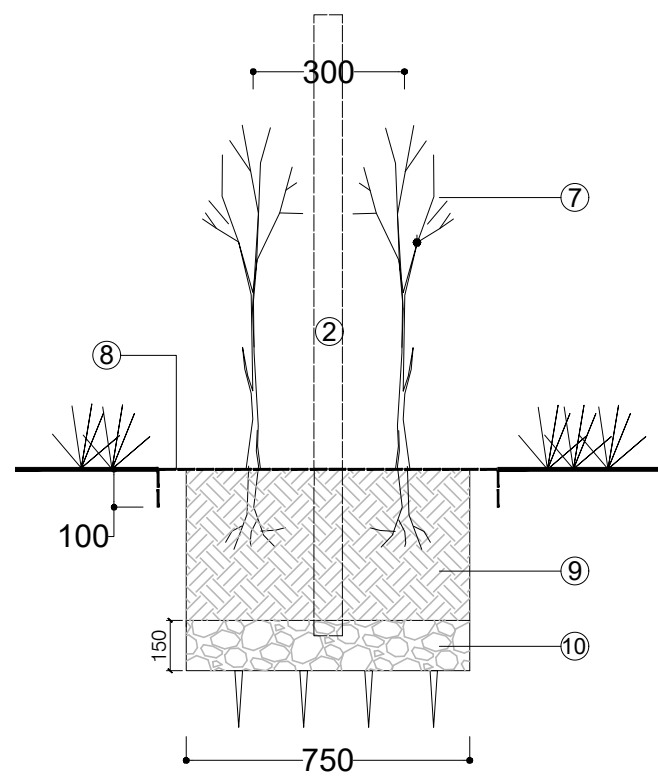


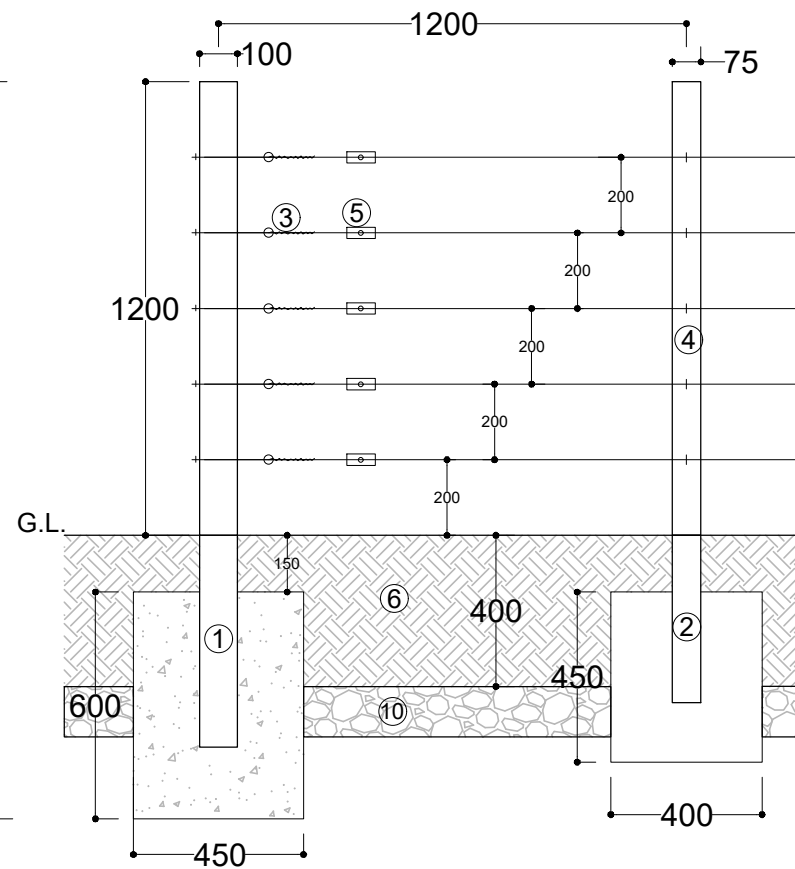
Hedge plants planted in staggered rows.  
Spaced equally at 7 plants in every 1m



**Hedge Planting - Plan**  
Scale 1:20 @A3



**Hedge Planting - Section**  
Scale 1:20 @A3



**Hedge Planting - Post & Wire Fencing**  
Scale 1:20 @A3

**Key:**

- 1800mm min x 100mm diameter pressure treated timber end post and straining post @ 25m centres and at all changes in direction.
- 1500 x 75mm diameter pointed timber post to be driven securely into ground (foundation to be cast subject to ground conditions).
- 5No. 4mm galvanised wires. Wires fixed to posts at either end of run with galvanised straining eye bolts, 12.5 mm.
- Wire fixed with galvanised staples.
- Wire tensioners (to be positioned at start of runs).
- Top soil
- Hedge plants refer to planting schedule.
- Mypex weed control membrane 900mm wide spaded in 100mm (min) depth at edges.
- Hedge trench 750mm x 400mm deep. Formed clear of fence foundation, min 200mm. Topsoil/backfill mix as per specification.
- 150mm clean stone drainage layer

**NOTES**

- All measurements shown are in metres, and all levels are to ordnance datum unless otherwise indicated
- All Coordinates are to Irish Grid, unless otherwise noted.
- Post & Wire fence to all hedges. Location and extent as Landscape layouts.
- All drawings should be read in conjunction with all other drawings and reports
- Whips to be planted upright at original soil height
- All timber to be pressure treated & FSC 'Forest Stewardship Council' certified
- All metal items to be galvanised steel
- All post tops regulated level and neatly trimmed to chamfer using template and smooth finish
- All hedge plants to be planted with tree guards - Tubex Ecostart with 20mm x 400mm high stake or equal and approved.

Based upon Land and Property Services data with the permission of the controller of Her Majesty's Stationery Office, © Crown copyright and database rights (CS&LA 581)

Ordnance Survey Ireland mapping data used with permission: in association with Donegal County Council - OS License 2003/07/CCMA/Donegal County Council. Copyright Ordnance Survey Ireland, Government of Ireland.

Rev	Issue Date	Description	App
P01	13.09.2021	Issued for Planning	HB
P00	19.08.2021	Issued for Planning	HB

Quantity Surveyors **Sammon**  
Sammon 9-11 Corporation Square Belfast, BT1 3AJ T: 028 7127 1323 info@sammon.eu www.sammon.eu

Landscape Architects **the paul hogarth company**  
The Paul Hogarth Company Ltd Potter's Quay, 5 Ravenhill Road Belfast, BT6 8DN T: 028 9073 6690 belfast@paulhogarth.com www.PaulHogarth.com

Project Manager, Civil & Structural Engineers **McAdam**  
ENHANCING LOCAL COMMUNITIES  
1c Montgomery House 478 Castlereagh Road Belfast, BT5 6BQ T: 028 9040 2000 E: admin@mcadamdesign.co.uk www.mcadamdesign.co.uk

Funder **Peace** Northern Ireland - Ireland European Regional Development Fund

Client **Comhairle Contae Dhún na nGall** Donegal County Council  
Derry City & Strabane District Council  
Comhairle Chathair Dhoire & Cheantar an tSraith Bálín  
Derry City & Strabane District Council

Project Status **STAGE 3 - PLANNING**

Project **RIVERINE COMMUNITY PARK**

Drawing **Hedge Planting (ROI PLANNING)**

Scale **1:20 @ A3**

Drawn <b>DMcK</b>	Checked <b>DM</b>	Approved <b>App by</b>
Date <b>09/06/2021</b>	Date <b>04/08/2021</b>	Date <b>App date</b>

Project <b>RVCP</b>	Organisation <b>TPHC</b>	Zone <b>ZZ</b>	Level <b>XX</b>	Type <b>DR</b>	Role <b>LA</b>	Number <b>2027</b>	Revision <b>P01</b>
---------------------	--------------------------	----------------	-----------------	----------------	----------------	--------------------	---------------------

Project Number <b>1383</b>	Status code & Description <b>ST2 For Information</b>
----------------------------	--

All dimensions are in metres. Figured dimensions to be taken in preference to scaled dimensions. Dimensions to be checked on site. © 2021 McAdam Design Ltd.