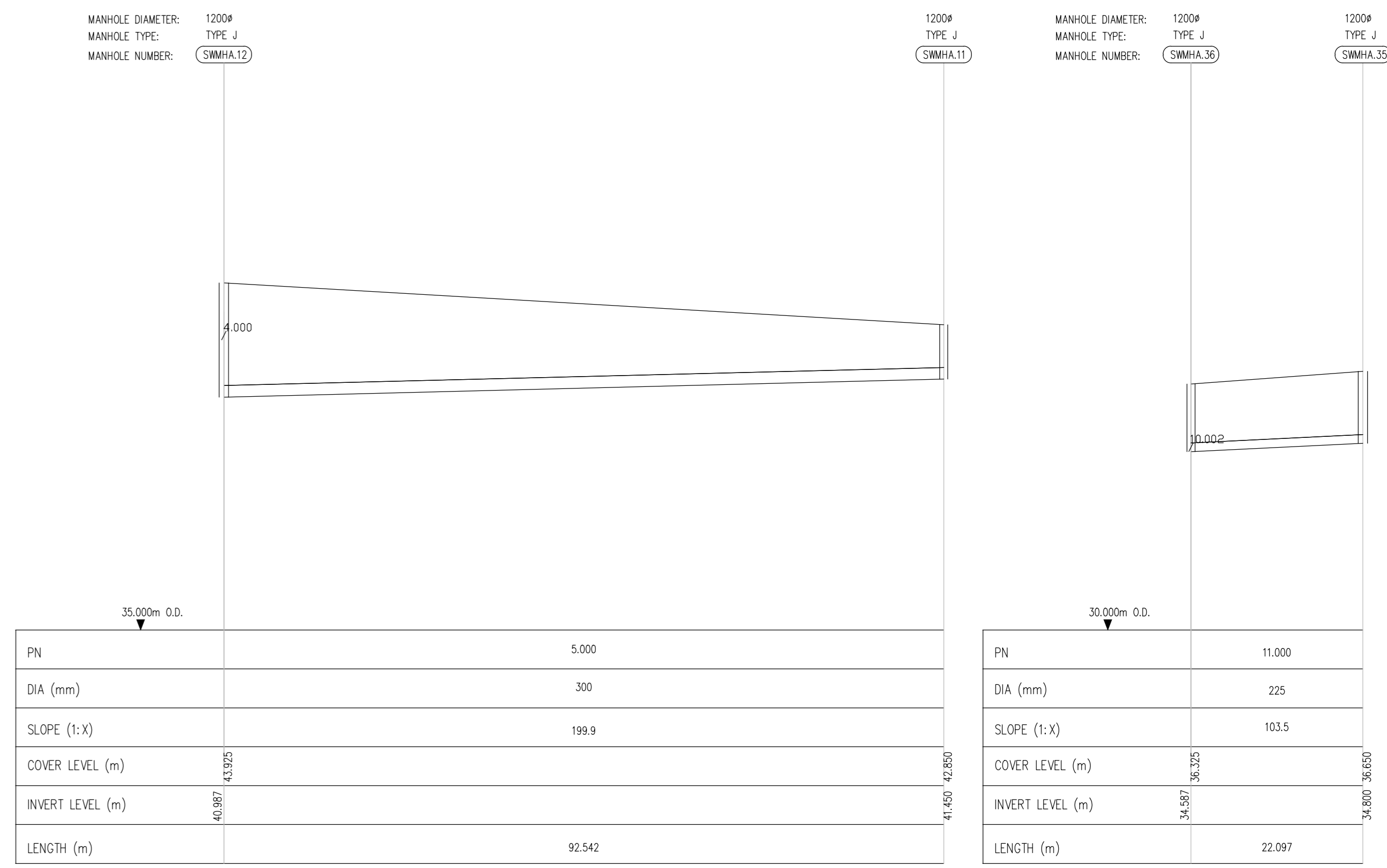
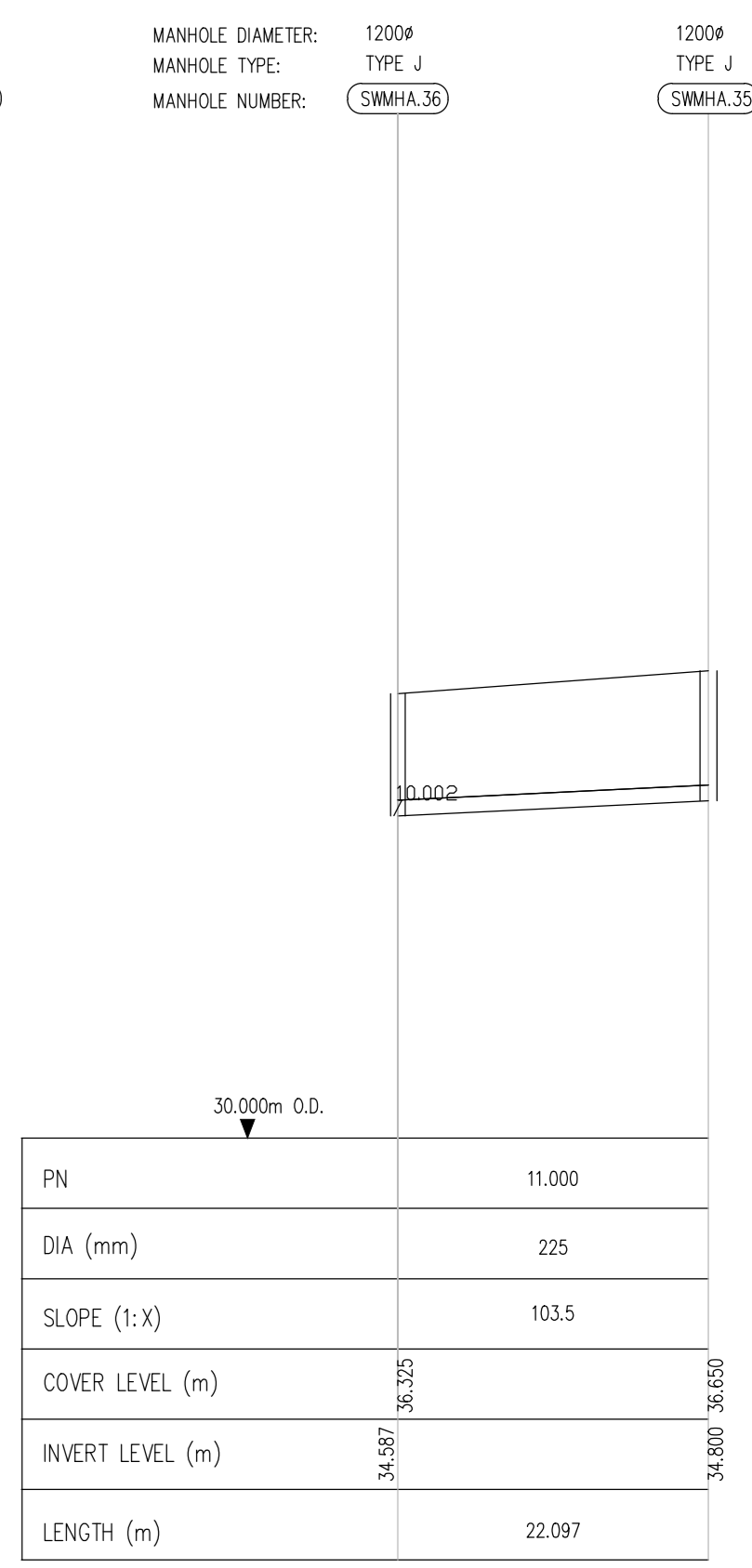


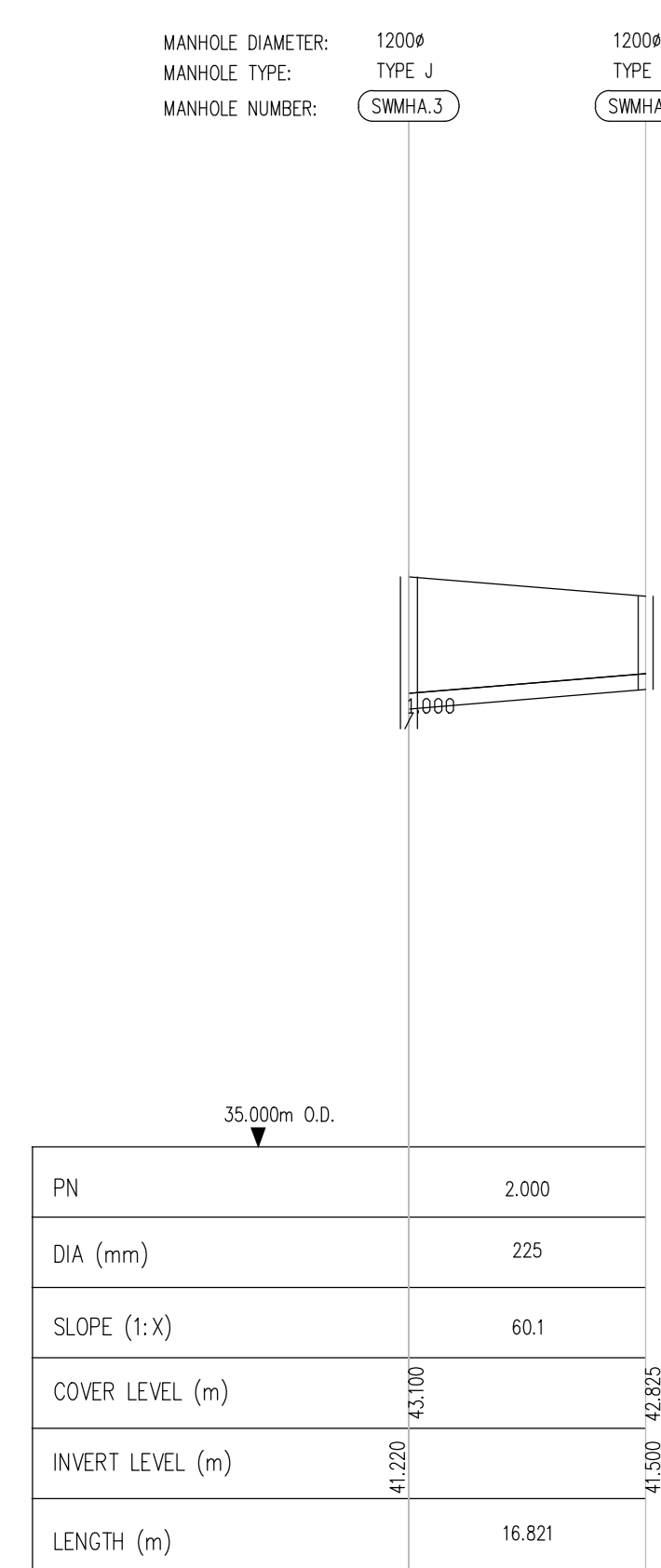
SURFACE WATER SEWER FROM MANHOLE SWMHA.1 TO OUTFALL  
HORIZONTAL SCALE 1:500  
VERTICAL SCALE 1:100



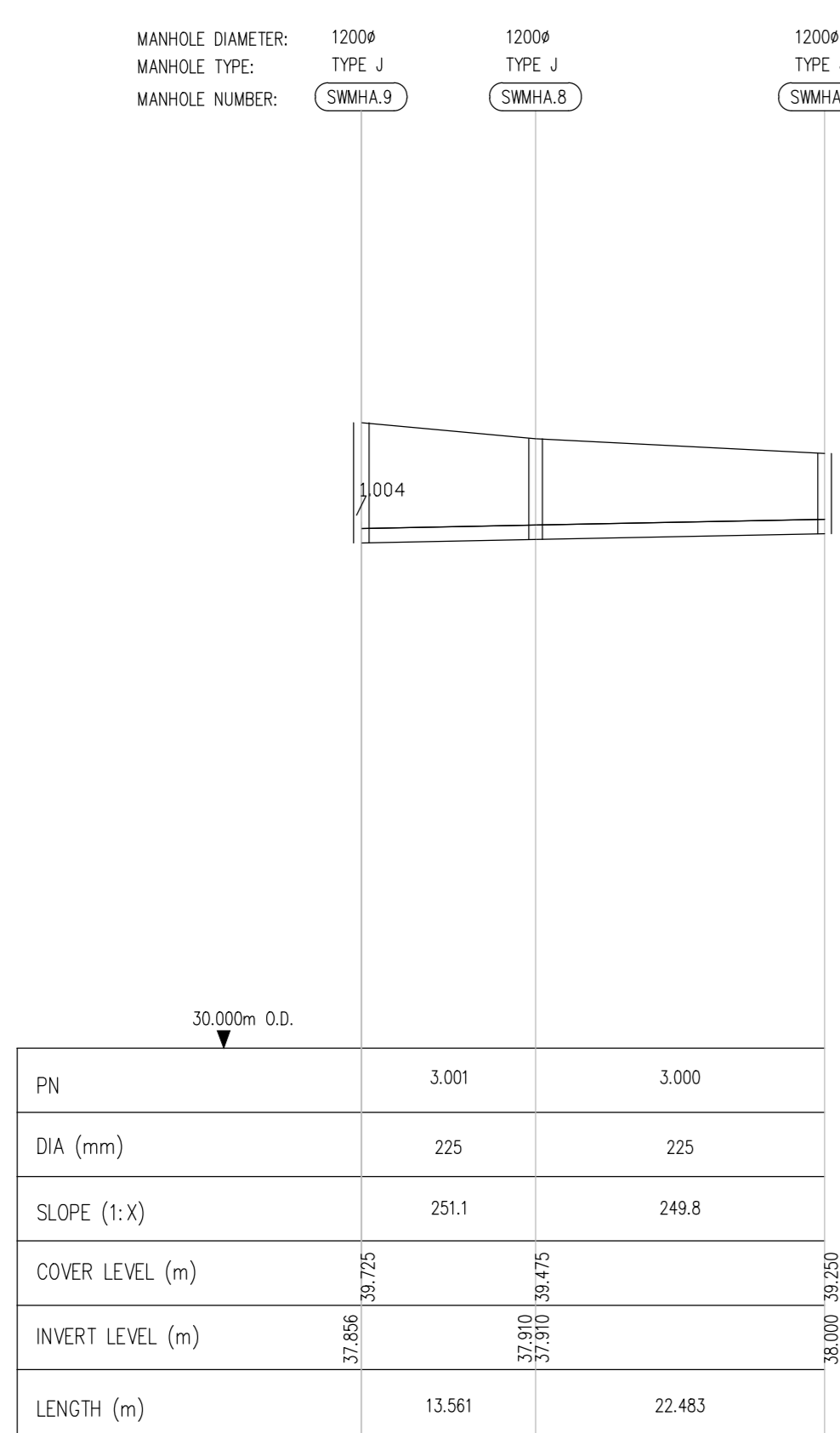
SURFACE WATER SEWER FROM MANHOLE SWMHA.11 TO SWMHA.12  
HORIZONTAL SCALE 1:500  
VERTICAL SCALE 1:100



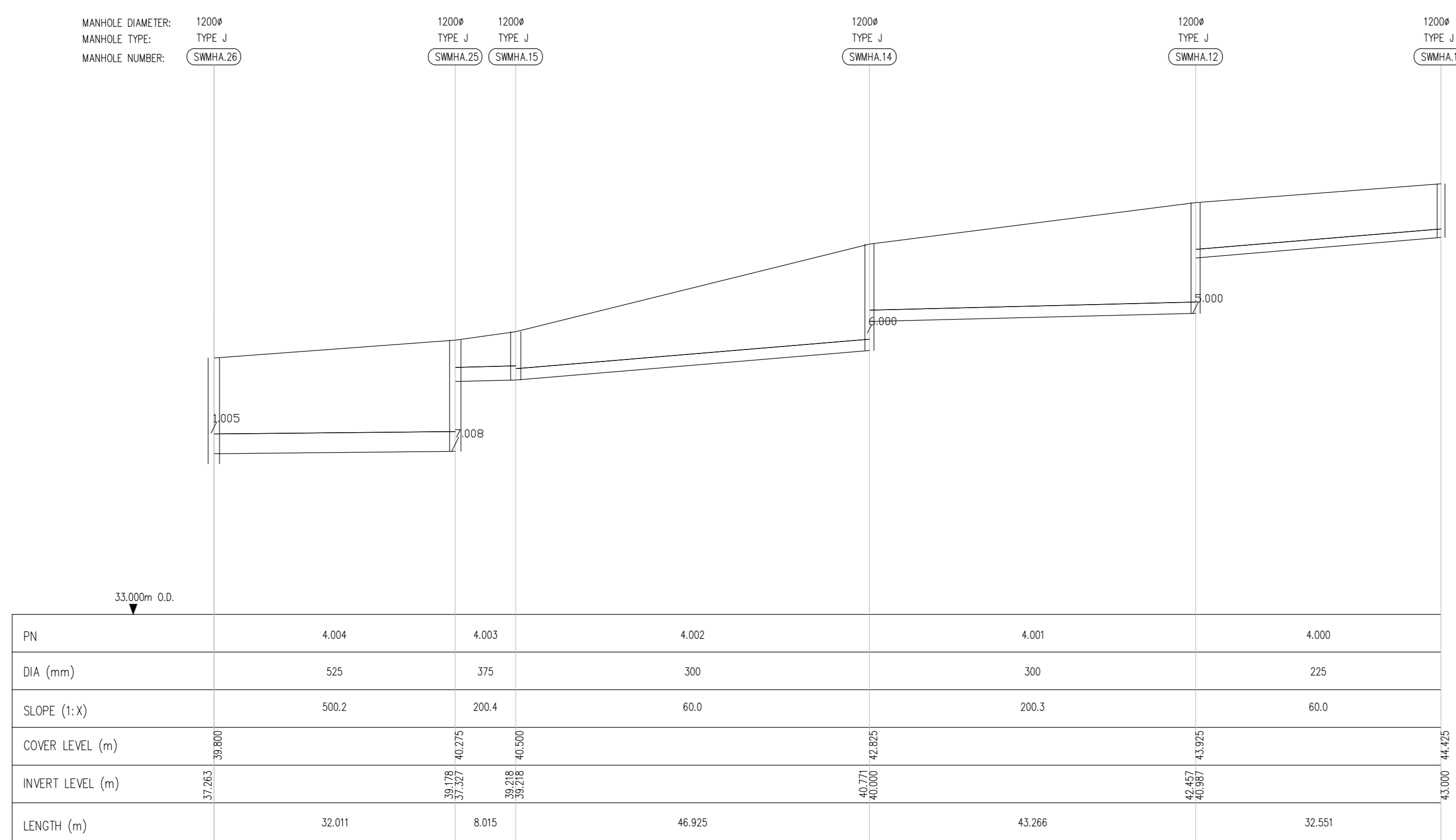
SURFACE WATER SEWER FROM MANHOLE SWMHA.35 TO SWMHA.36  
HORIZONTAL SCALE 1:500  
VERTICAL SCALE 1:100



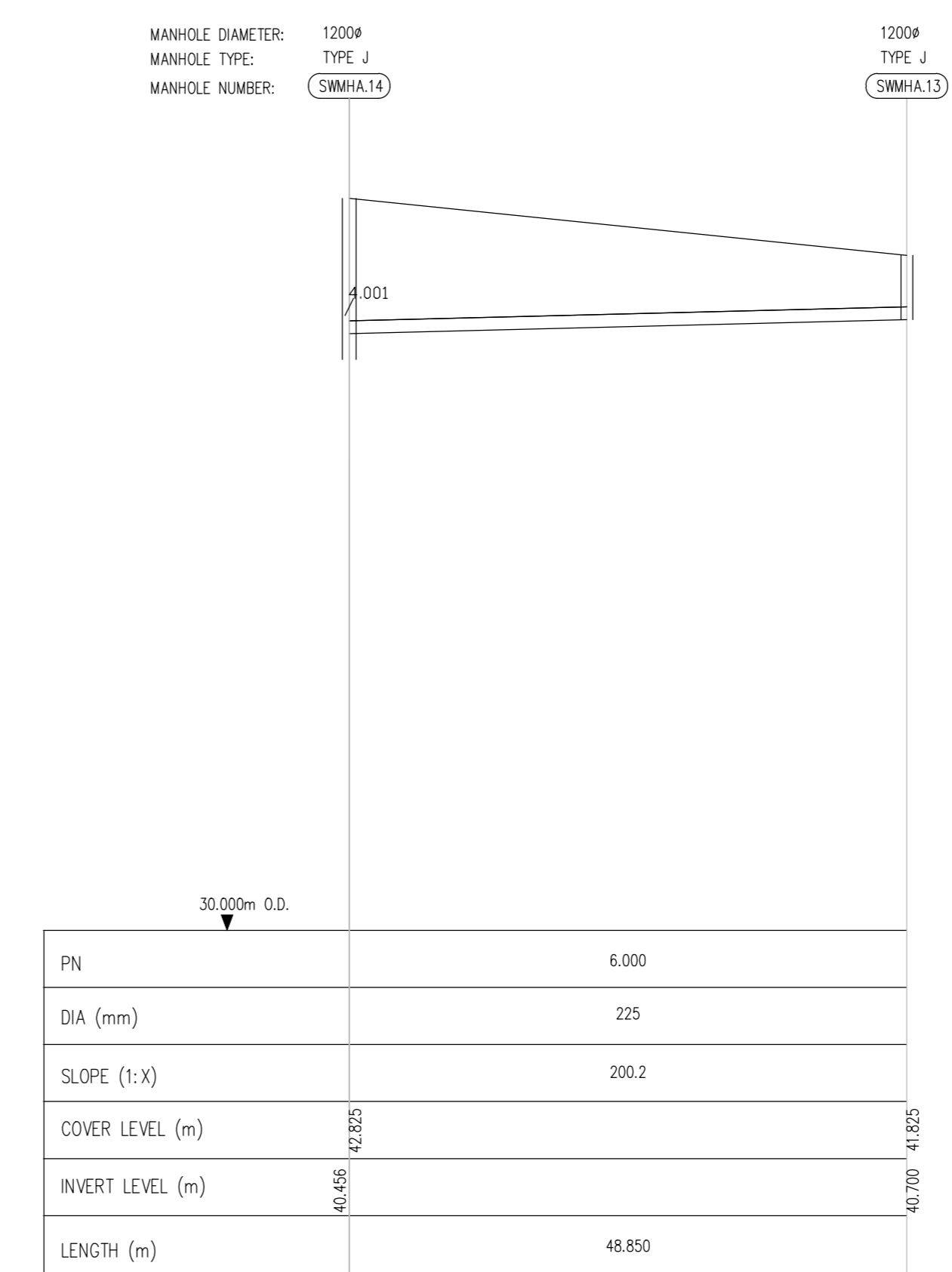
SURFACE WATER SEWER FROM MANHOLE SWMHA.2 TO SWMHA.3  
HORIZONTAL SCALE 1:500  
VERTICAL SCALE 1:100



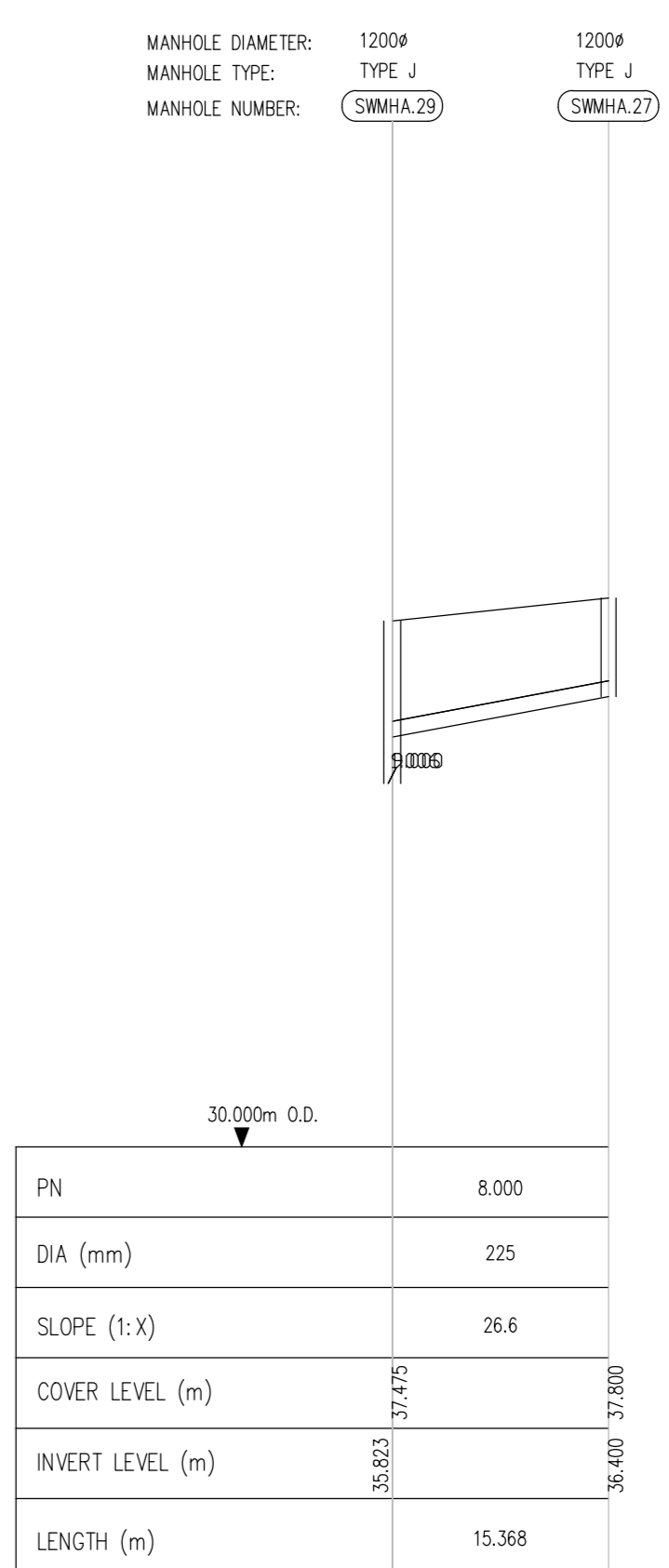
SURFACE WATER SEWER FROM MANHOLE SWMHA.9 TO SWMHA.7  
HORIZONTAL SCALE 1:500  
VERTICAL SCALE 1:100



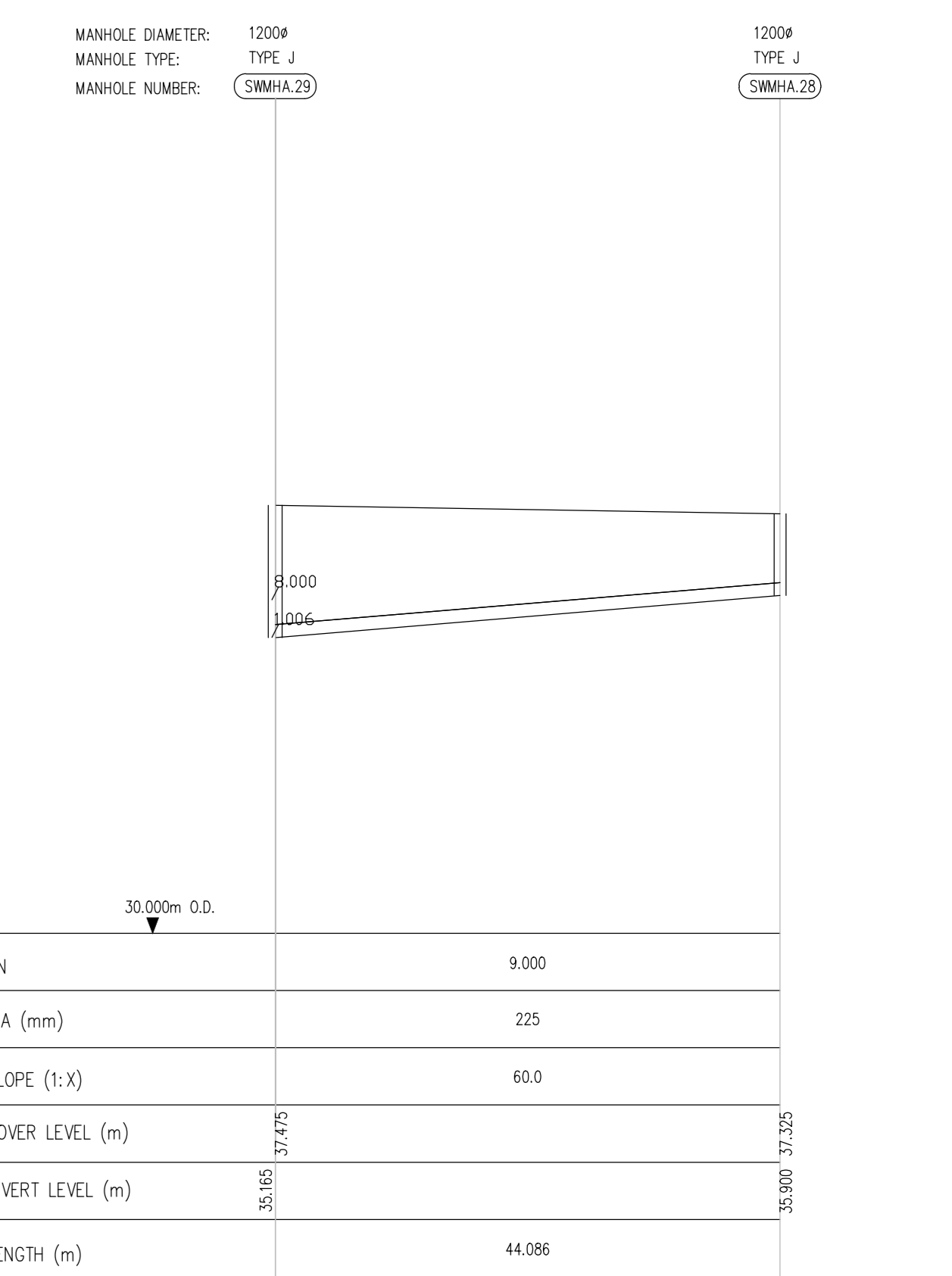
SURFACE WATER SEWER FROM MANHOLE SWMHA.10 TO SWMHA.26  
HORIZONTAL SCALE 1:500  
VERTICAL SCALE 1:100



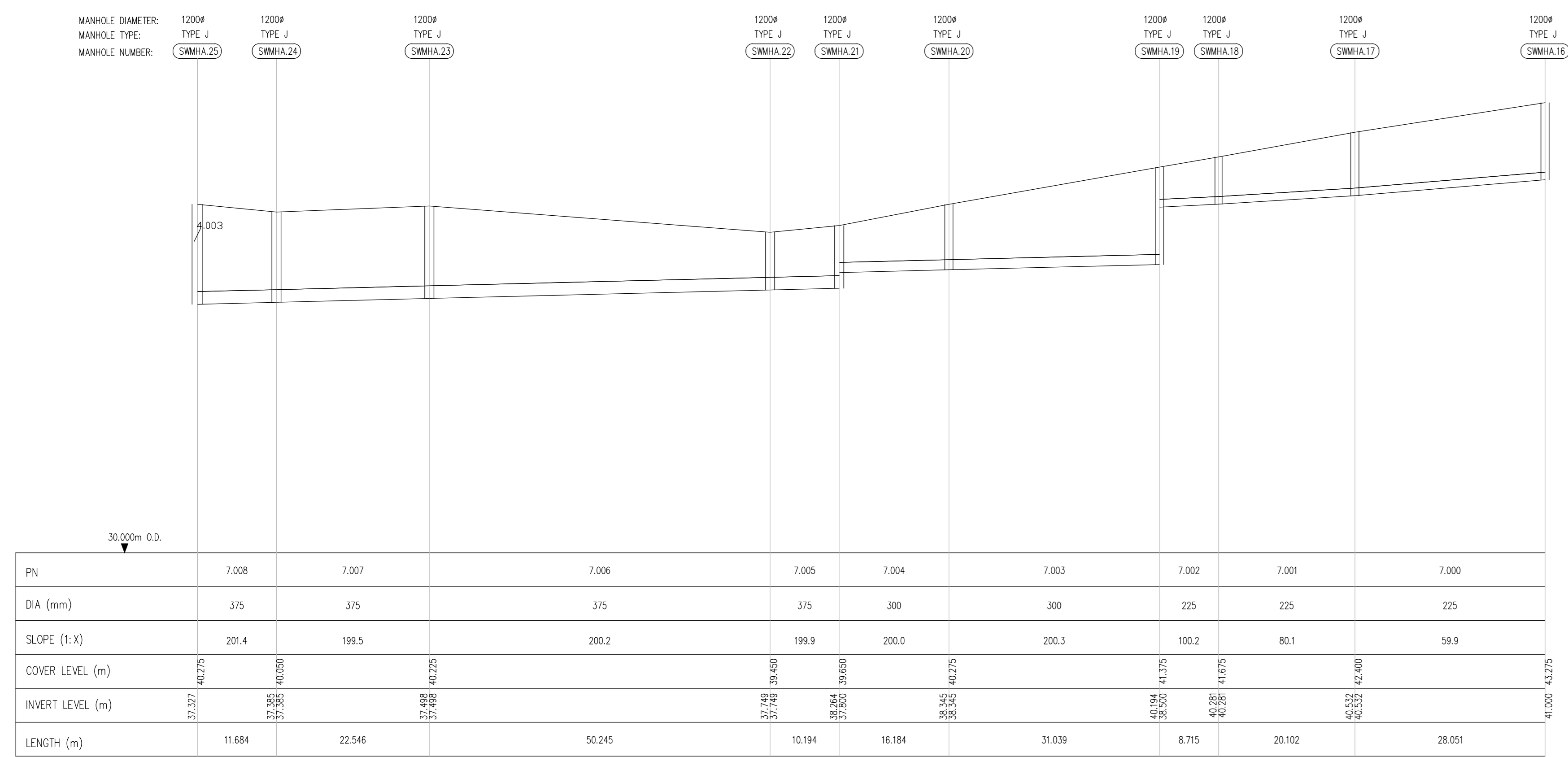
SURFACE WATER SEWER FROM MANHOLE SWMHA.13 TO SWMHA.14  
HORIZONTAL SCALE 1:500  
VERTICAL SCALE 1:100



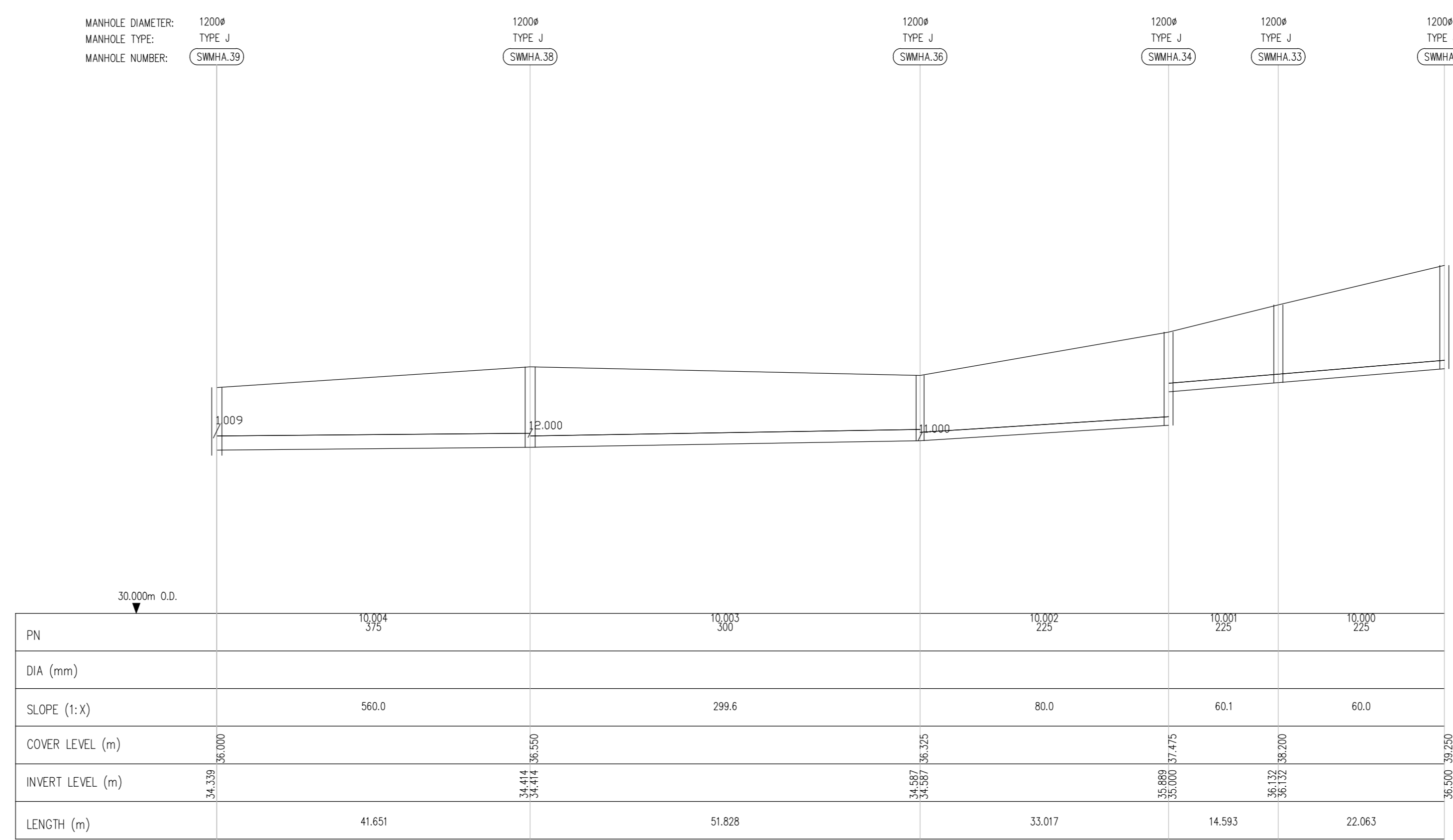
SURFACE WATER SEWER FROM MANHOLE SWMHA.28 TO SWMHA.27  
HORIZONTAL SCALE 1:500  
VERTICAL SCALE 1:100



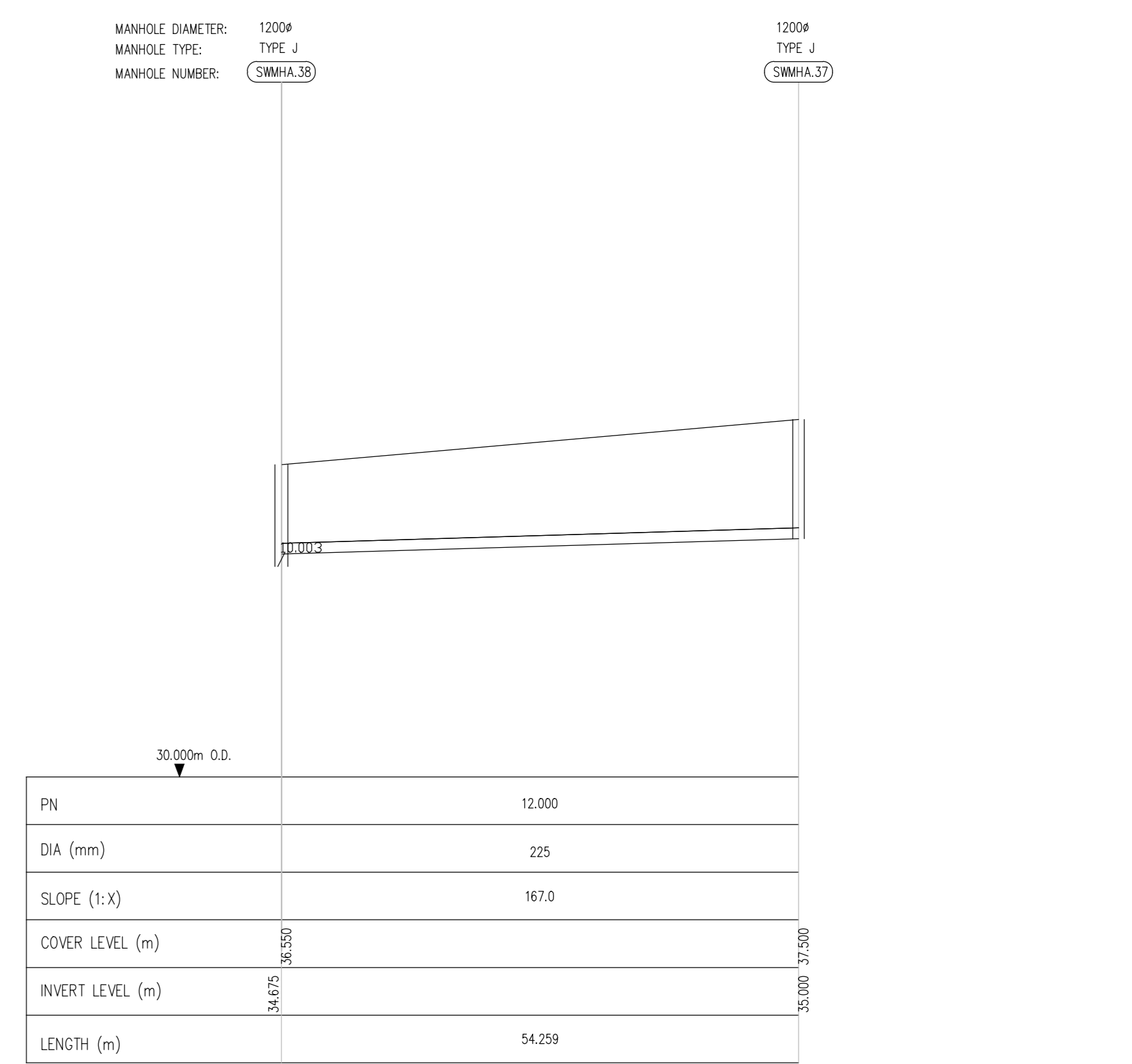
SURFACE WATER SEWER FROM MANHOLE SWMHA.28 TO SWMHA.29  
HORIZONTAL SCALE 1:500  
VERTICAL SCALE 1:100



SURFACE WATER SEWER FROM MANHOLE SWMHA.16 TO SWMHA.25  
HORIZONTAL SCALE 1:500  
VERTICAL SCALE 1:100



SURFACE WATER SEWER FROM MANHOLE SWMHA.32 TO SWMHA.39  
HORIZONTAL SCALE 1:500  
VERTICAL SCALE 1:100



SURFACE WATER SEWER FROM MANHOLE SWMHA.37 TO SWMHA.38  
HORIZONTAL SCALE 1:500  
VERTICAL SCALE 1:100

**PLANNING DRAWING.**  
NOT FOR CONSTRUCTION.  
ALL LEVELS GIVEN ARE  
RELATIVE TO ORDNANCE DATUM.  
THIS DRAWING HAS BEEN ISSUED FOR INFORMATION  
PURPOSES ONLY AND MUST NOT BE USED  
FOR CONSTRUCTION UNDER ANY CIRCUMSTANCES

**NOTES**  
1. For setting out refer to Architect's drawings.  
2. This drawing to be read in conjunction with all other Architectural and Engineering drawings and all other relevant drawings and Specifications.  
3. DO NOT SCALE THIS DRAWING. Use figured dimensions only.  
4. No part of this document may be reproduced or transmitted in any form or stored in any retrieval system of any nature without the written permission of copyright holder except as agreed.  
5. Ordnance Survey Ireland Licence Number EN 0074022

Rev No.	Date	REVISION NOTE	Drn By	Chk By
P1	03/10/2021	ISSUED FOR PLANNING STAGE 3		

Client	THE ARDEE PARTNERSHIP BRIDGEGATE SUD, ARDEE, CO. LOUTH
Title	SURFACE WATER LONGITUDINAL SECTIONS SHEET 1 OF 2
Proj No.	ARDEE-CSC-00-XX-DR-C-1023
Date	August 2020
Drn By	DD
Chk By	HS
Apprv By	NB
Scale	AS SHOWN @ A2
Revision	P1

Job No R086

**CS Consulting Group**  
DUBLIN | LONDON | LIMERICK  
Head Office  
19-22 Dame Street, Dublin 2  
T: +353 (0)1 5460863 F: +353 (0)1 9011355  
e: info@csconsulting.ie  
www.csconsulting.ie

