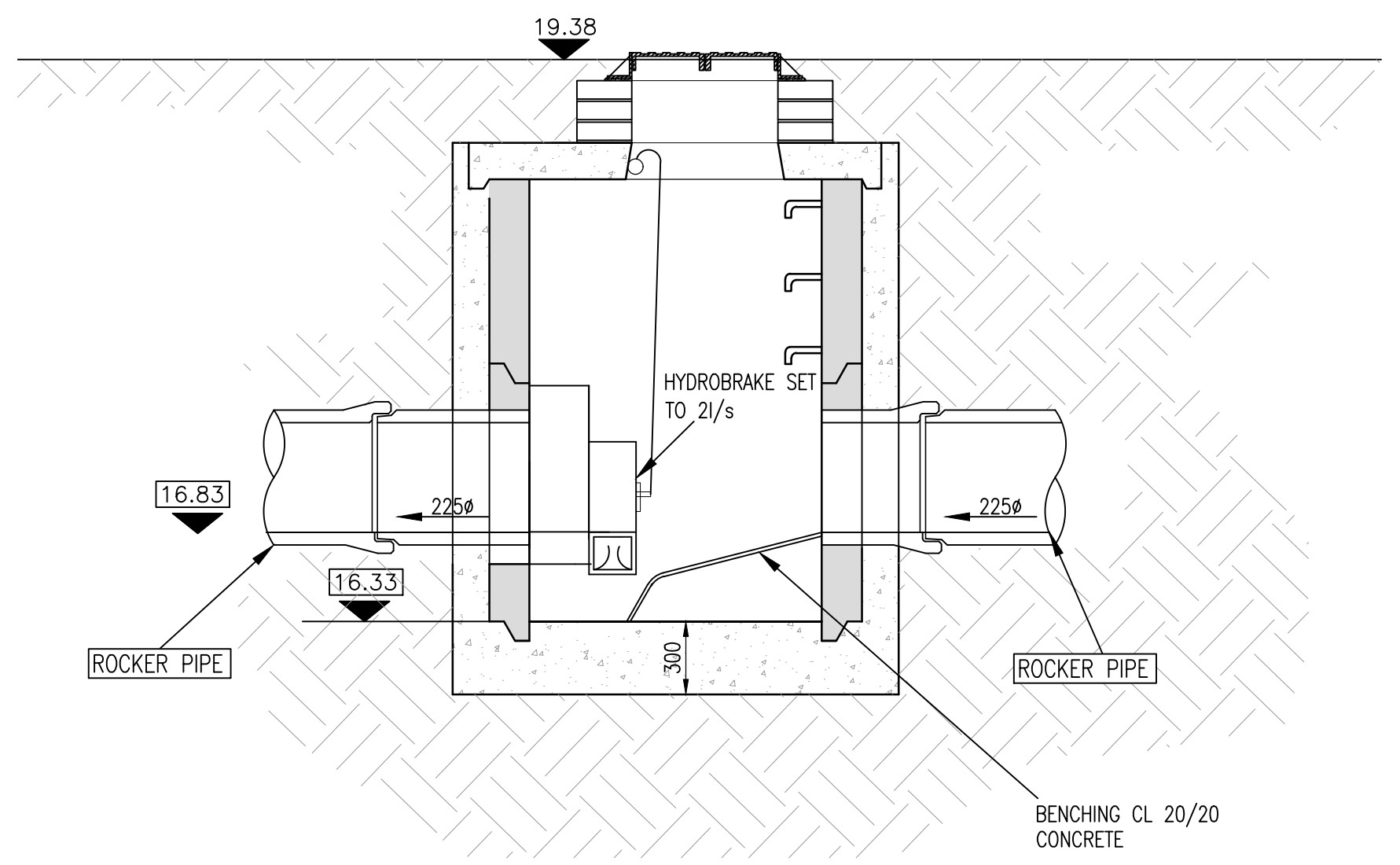


NOTES:  
 1. DO NOT SCALE. USE FIGURED DIMENSIONS ONLY.  
 2. THIS DRAWING IS TO BE READ IN CONJUNCTION WITH ALL OTHER RELEVANT ARCHITECTURAL AND ENGINEERING DRAWINGS.

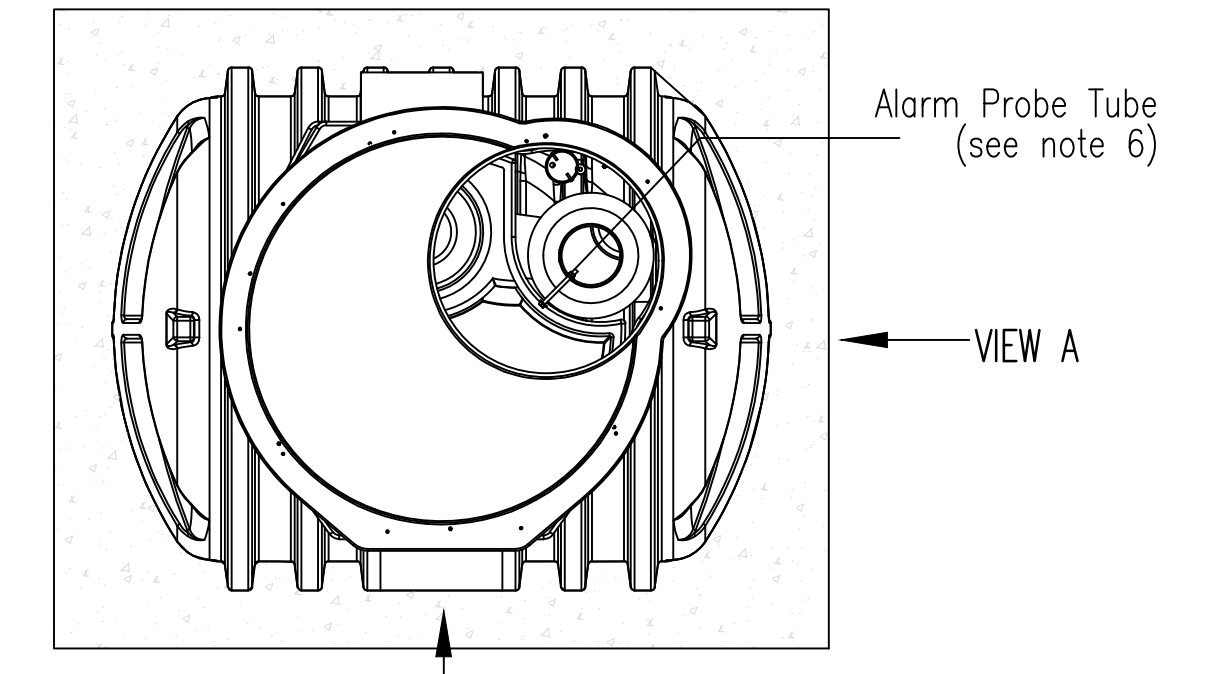


**PROPOSED HYDROBRAKE MANHOLE S5**  
 SCALE 1:25

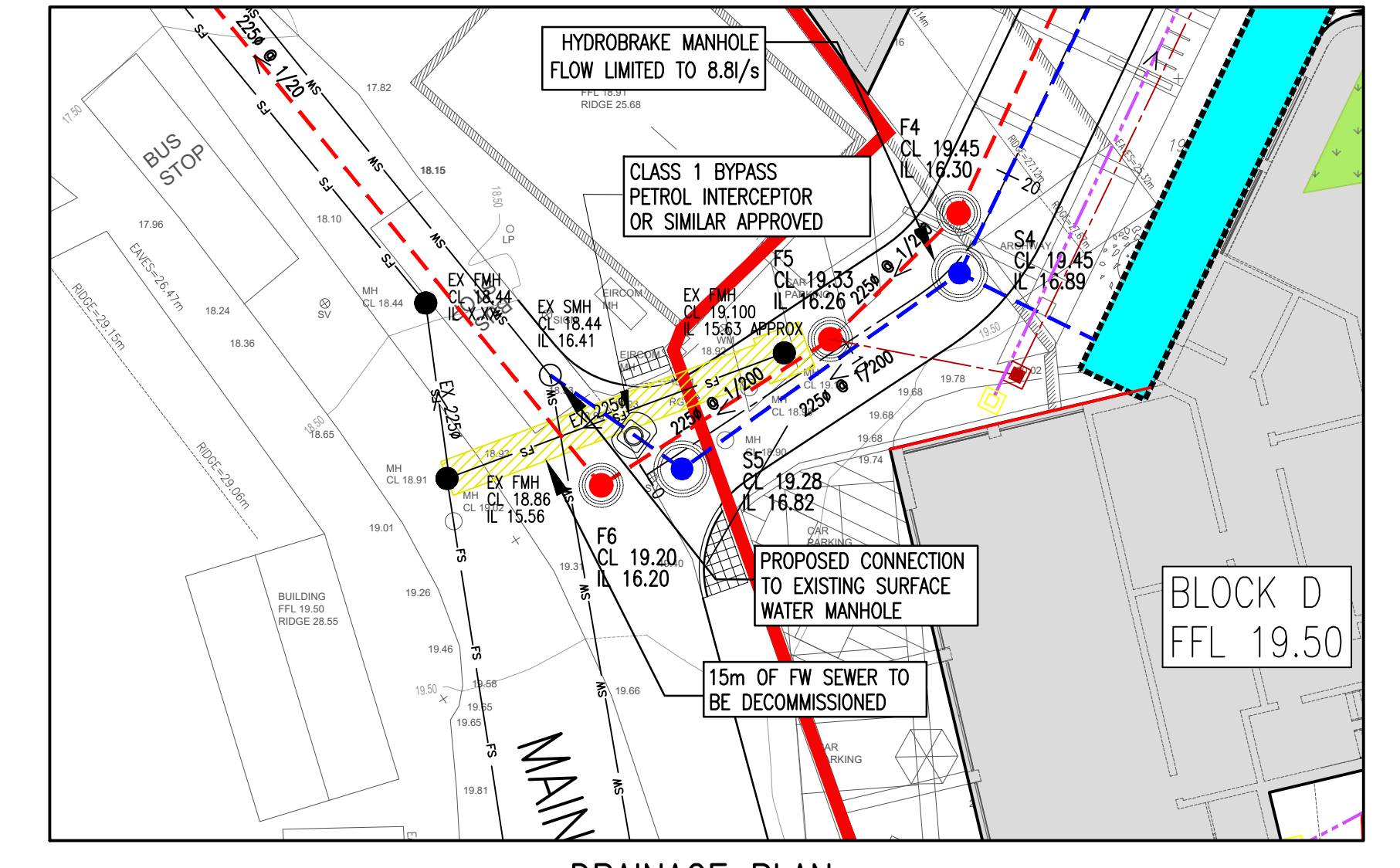
NOTE: FOR FURTHER DETAILS ON MANHOLE CONSTRUCTION PLEASE REFER TO DRAWING 21-032 P021 FOR DETAILS

Outlet Size 'B'	Inlet Size 'A'	Fall across unit	Approx Empty Weight (kgs)	Dim L (mm)	Nomina Flow	Unit Ref No
Ø225mm	Ø225mm	100	180	1700	2L/s	NSBP003

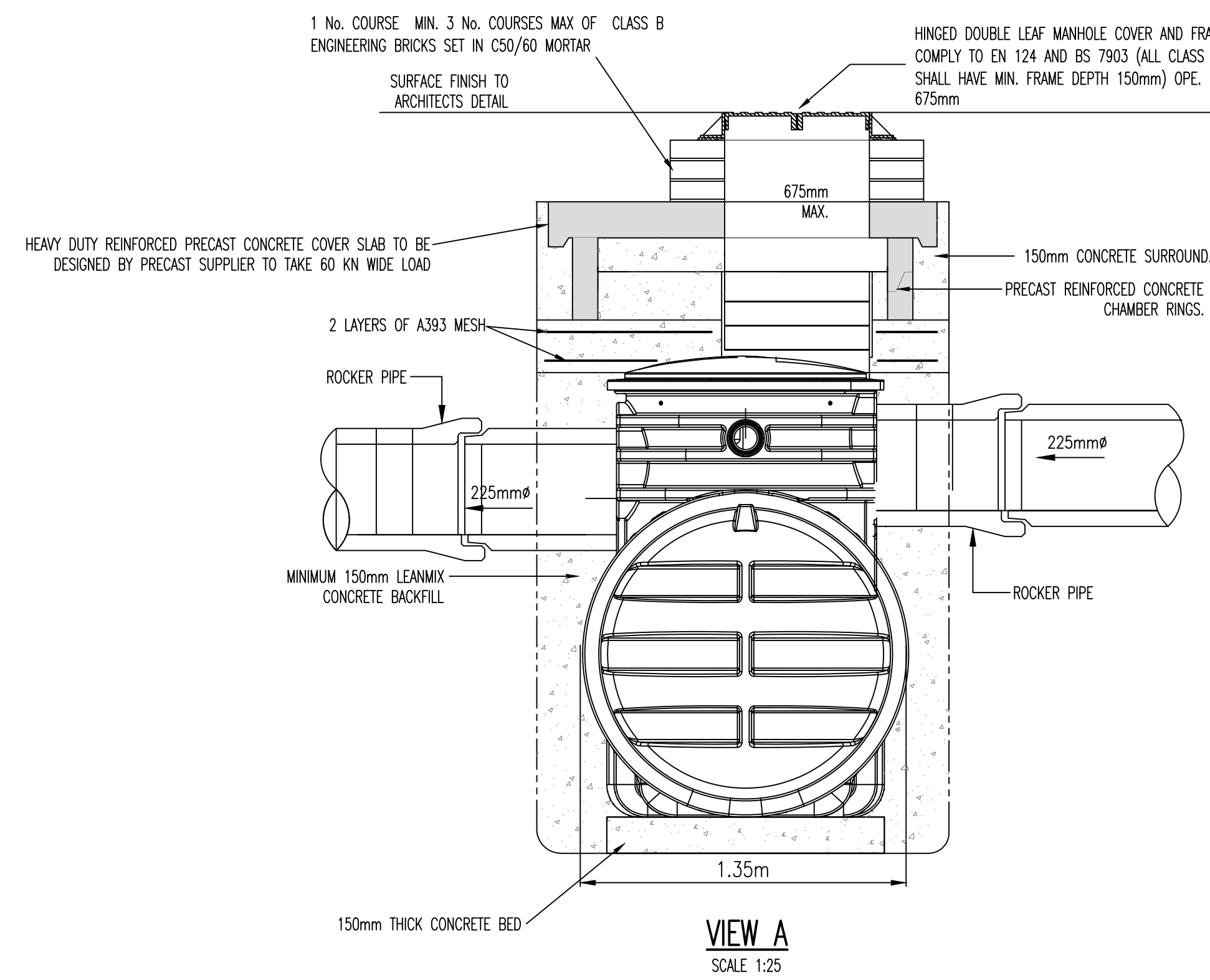
- Notes:-
- Inlet/Outlet pipes are plain pipe standard EN 858 states minimum connection sizes, units ordered with different sized connections are not fully compliant with the standard.
  - Extension necks for deeper inverts can be provided. These can be cut in 200 mm sections. Max 2.0m Invert recommended. Please ask our sales department for further details.
  - All units require appropriate cover and frame to suit applied loadings.
  - This drawing should be used for dimensional information only. It is essential that this drawing is read in conjunction with the installation guidelines from the supplier. 76 mm tube (internal) is supplied to house an oil alarm probe.
  - Wet site conditions - Concrete Backfill Dry site conditions - Pea Shingle Backfill
  - A Ø 76 mm tube (internal) is supplied to house an oil alarm probe.



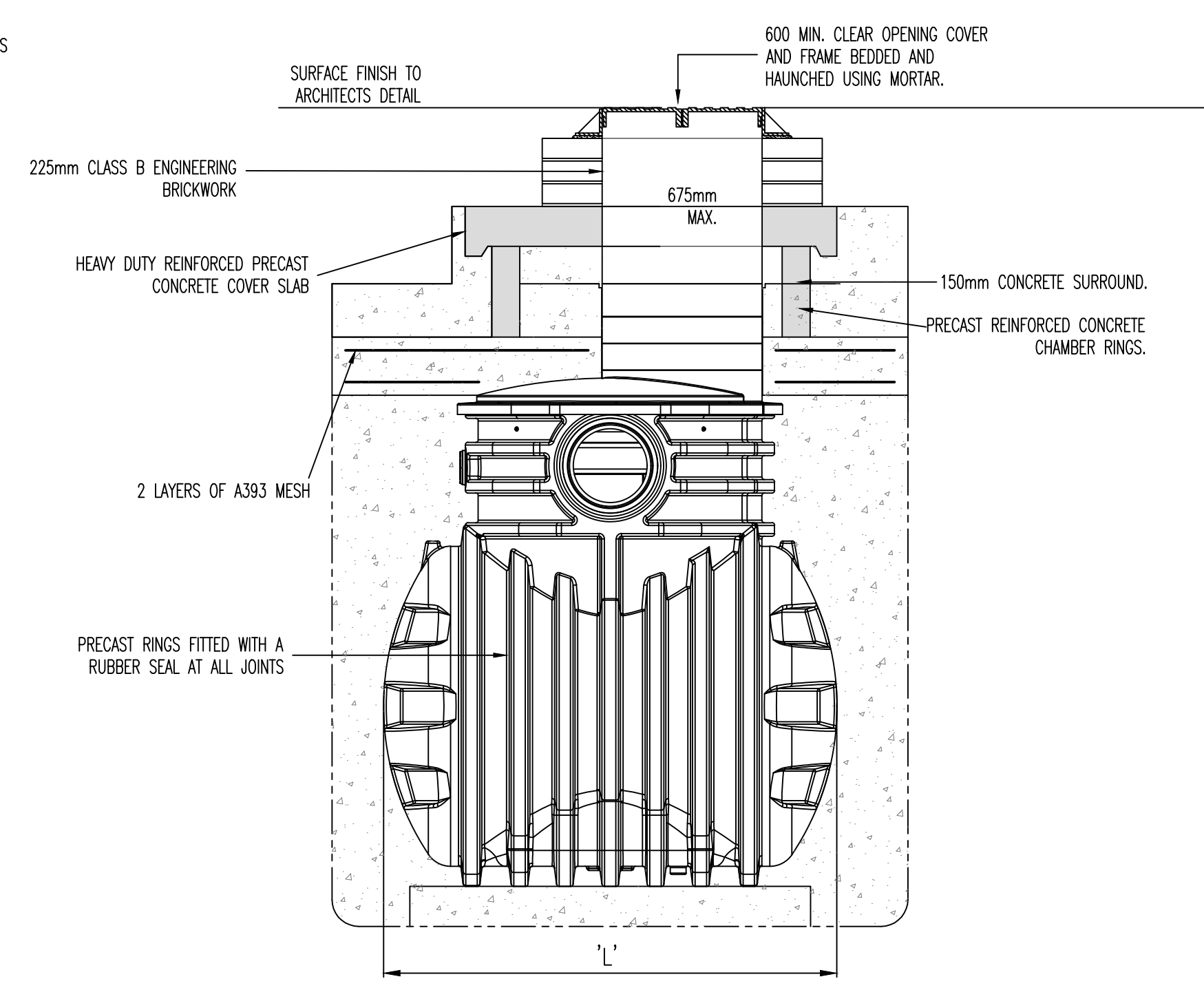
**PLAN VIEW**  
 SCALE 1:25



**DRAINAGE PLAN**  
 SCALE 1:250



**VIEW A**  
 SCALE 1:25



**VIEW B**  
 SCALE 1:25

**DETAILS OF PROPOSED NSBP003 KLARGESTER BYPASS PETROL INTERCEPTOR**

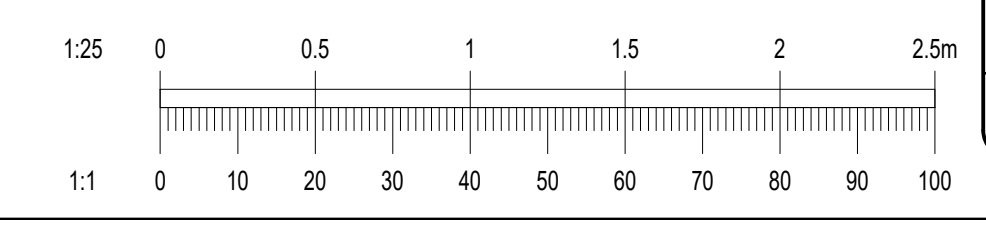
REV.	DATE	AMENDMENT	DRN	APPD

STATUS **FOR PLANNING NOT FOR CONSTRUCTION**

**Waterman Moylan**  
 Engineering Consultants  
 BLOCK 5, EASTPOINT BUSINESS PARK, ALFIE BYRNE ROAD, DUBLIN D03 H3F4 IRELAND.  
 Tel: (01) 664 8900 Fax: (01) 661 3618  
 Email: info@waterman-moylan.ie www.waterman-moylan.ie

CLIENT **BALSCADDEN GP3 LTD.**  
 ARCHITECT **PLUS ARCHITECTURE**  
 PROJECT **BALSCADDEN DEVELOPMENT, HOWTH, CO. DUBLIN**  
 TITLE **HYDROBRAKE AND PETROL INTERCEPTOR DETAILS**

DRAWN	DESIGNED	APPROVED	DATE
PJD	SDN	MD	JULY '21
SCALE	JOB NO.	DRG. NO.	REVISION
1:25 @ A1	21-032	P024	



© 2017. This drawing is copyright. No part of this document may be reproduced or transmitted in any form or stored in any retrieval system of any nature without the written permission of the consulting engineer as copyright holder except as agreed for use on the project for which the document was originally issued.