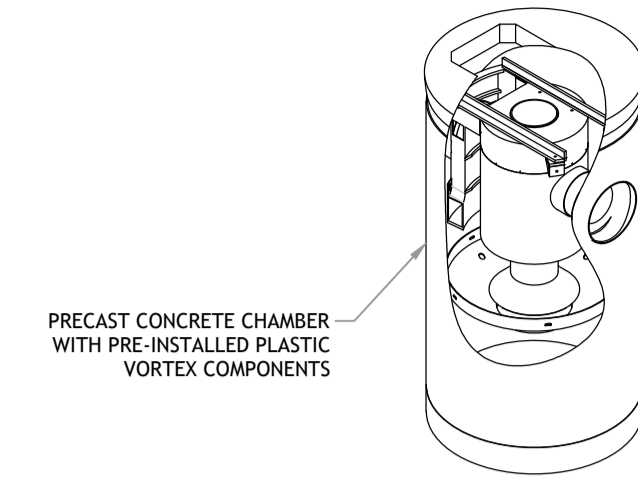
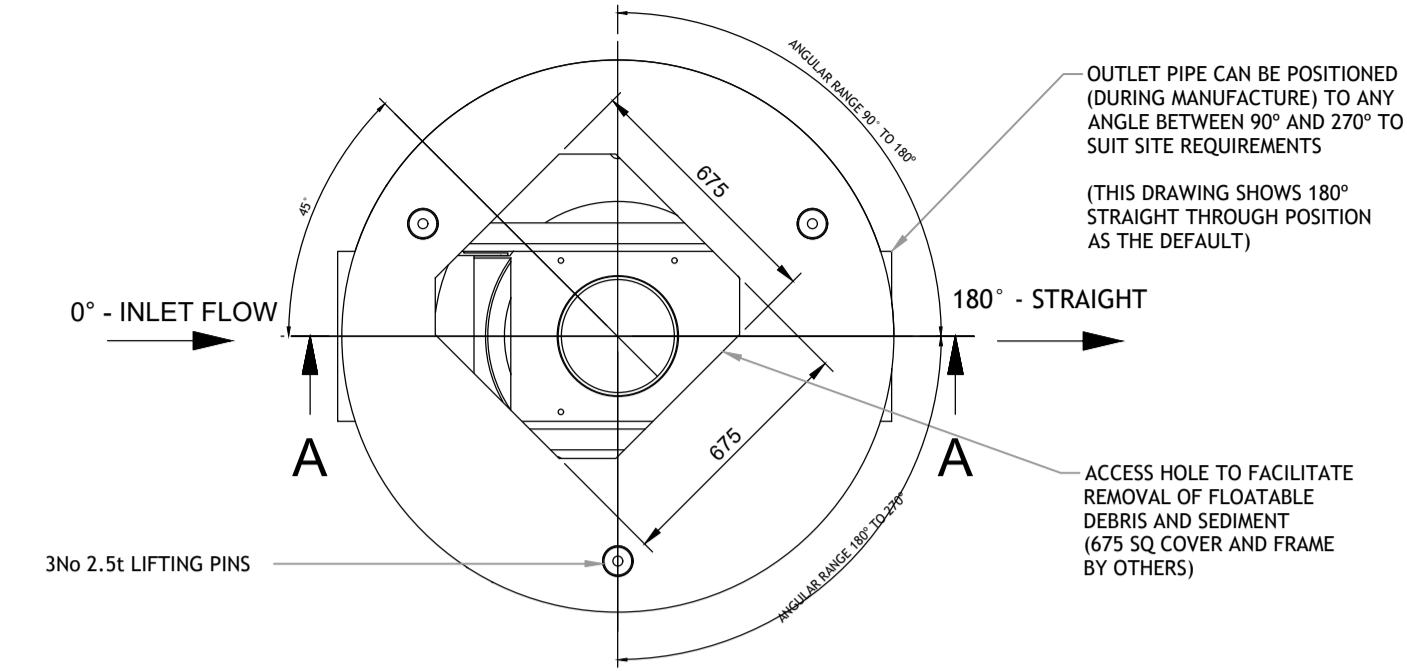
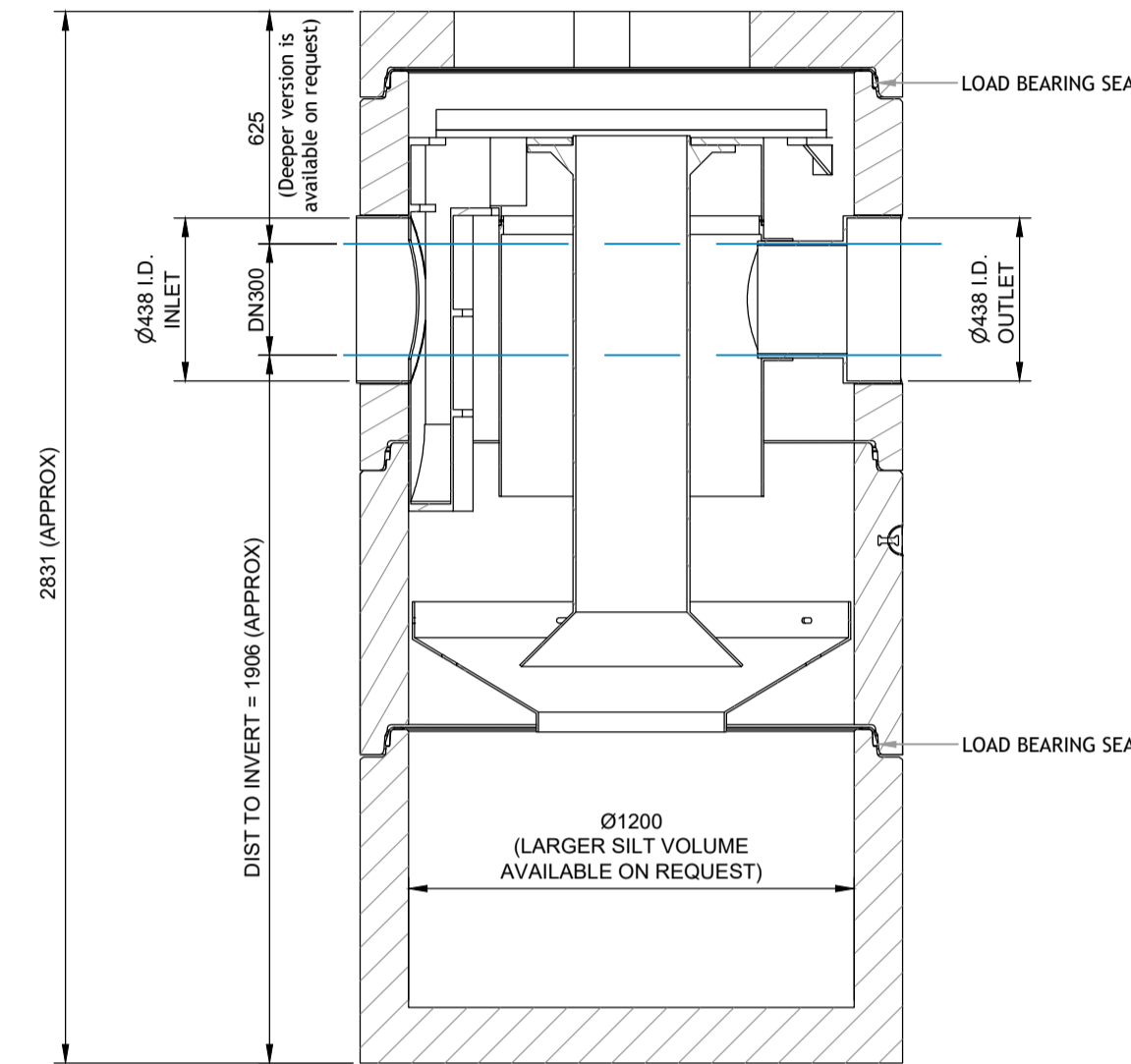


SECTION A-A

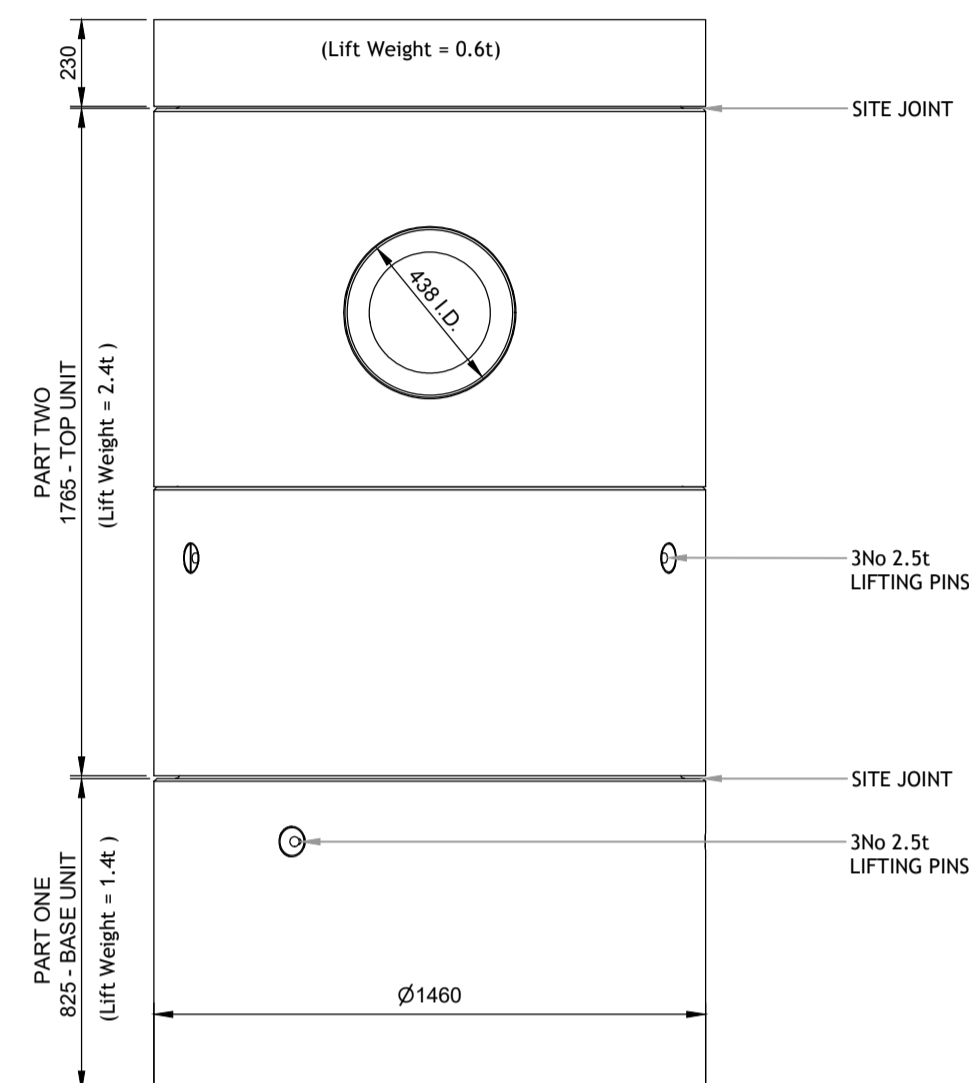


ISOMETRIC VIEW
SCALE: NOT TO SCALE



SECTION A - A

SCALE: NOT TO SCALE

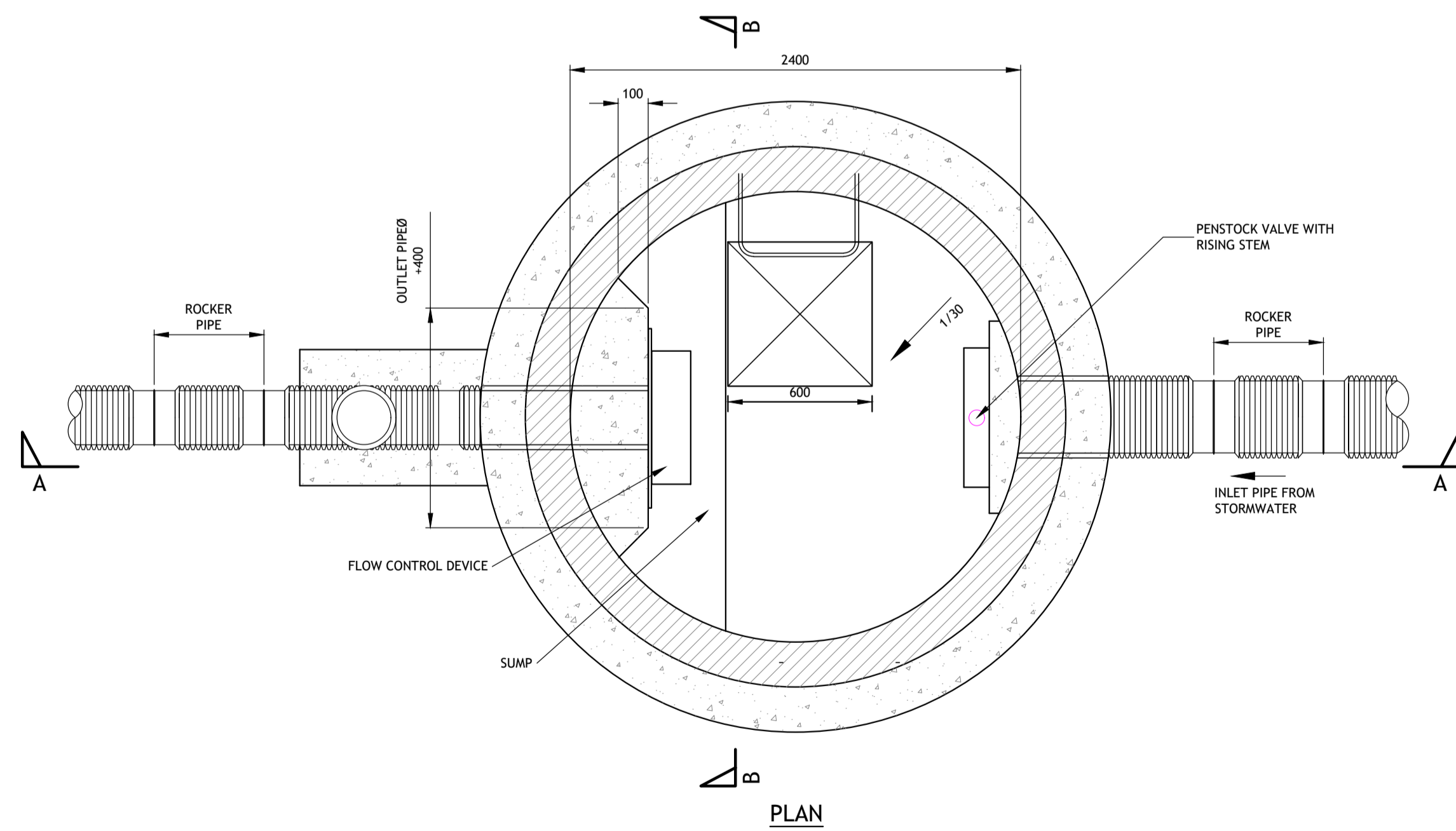


ELEVATION AT INLET

SCALE: NOT TO SCALE

**TYPICAL HYDRO INTERNATIONAL
DOWNSTREAM DEFENDER DETAIL**

SCALE: NOT TO SCALE

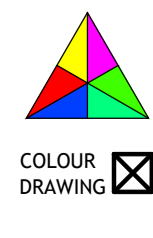


TYPICAL "HYDROBRAKE" MANHOLE DETAIL

SCALE 1:20

© PUNCH Consulting Engineers

This drawing and any design hereon is the copyright of the Consultants and must not be reproduced without their written consent. All drawings remain the property of the Consultants. Figured dimension only to be taken from this drawing. Consultants to be informed immediately of any discrepancies before work proceeds.



Date Drawn: JANUARY 2019
Drawn By: IBS
Date Issued: 2020-07-31
Issued By: JB



Rev	Amendment	By	Date
PL0	PLANNING ISSUE	IBS	2022/03/28

Client:
1 CARRICKMINES LAND LTD.

Job: PRIORSLAND CHERRYWOOD SHD
Title: TYPICAL CIVIL DETAILS - SHEET 4/7 - PERMANENT PROPOSAL
PUNCH consulting engineers
Dublin|Limerick|Cork|Galway|Glasgow
Carnegie House, Library Road, Dun Laoghaire, Co. Dublin, A96 C7W7
IRL: +353 1 271 2200 www.punchconsulting.com

Stage: PLANNING
Scale @ A1: AS NOTED
Technician Check: IBS
Engineer Check: MCD
Approved:
Drawing No: 182-186-073
Rev: PL0