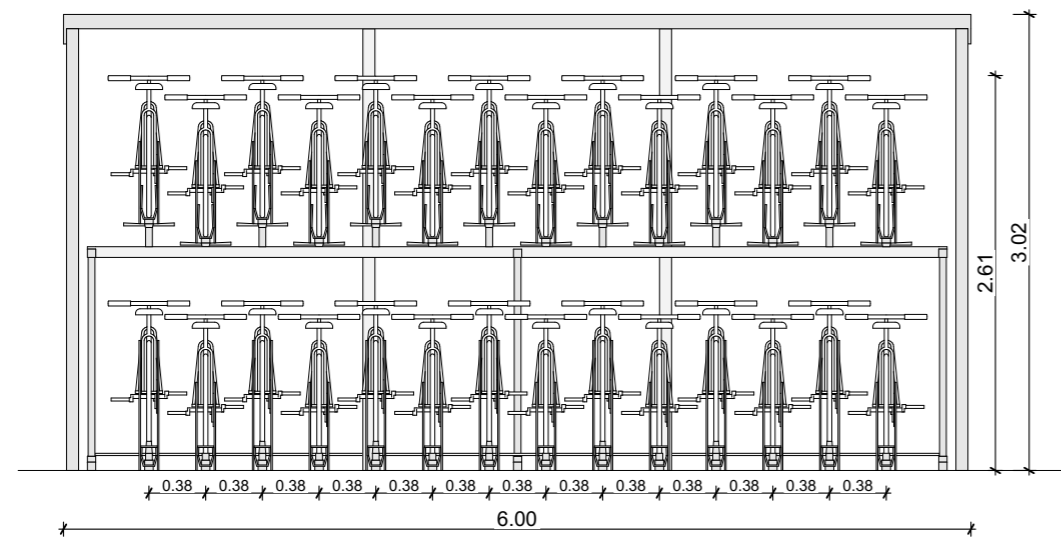


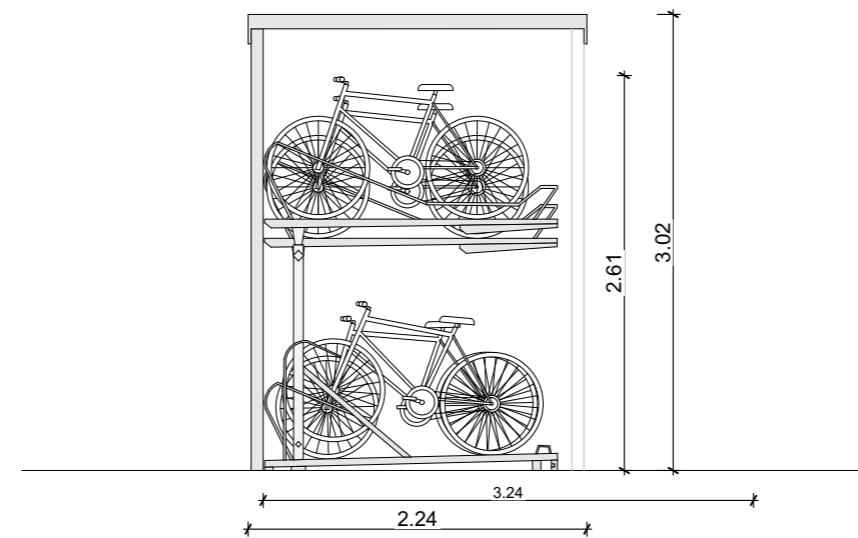
1:50 Plan

BICYCLE STORAGE Block B (28 Spaces per covered unit)

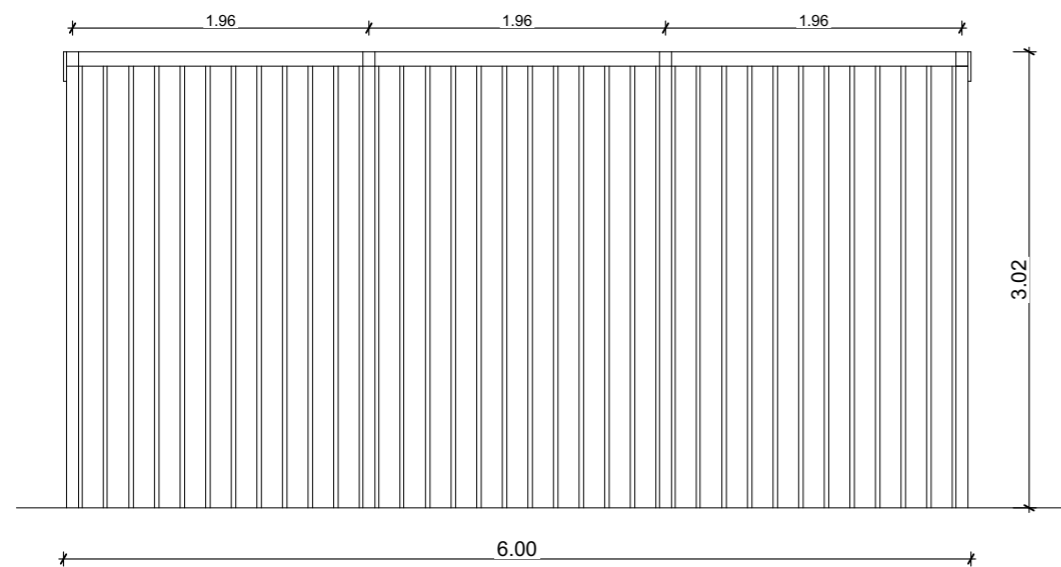
Two Tier Bicycle Unit



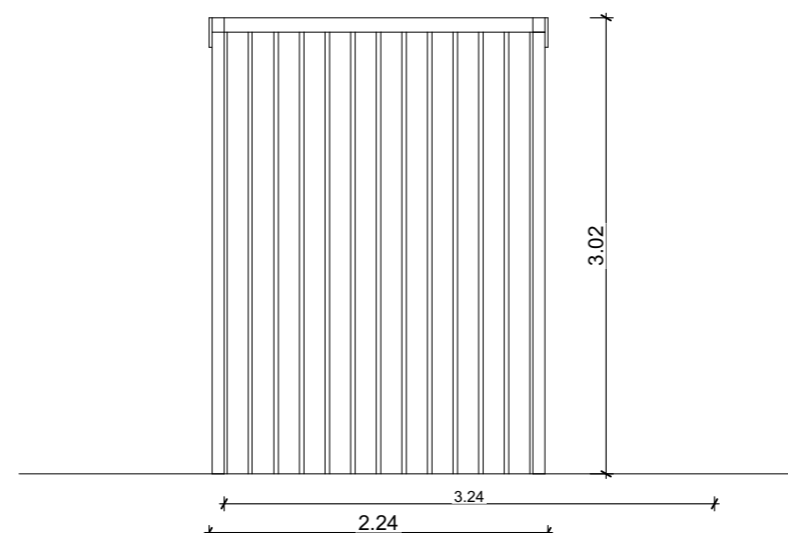
1:50 Front Elevation



1:50 Section



1:50 Rear Elevation



1:50 Side Elevation

Block B
See D2101-BL01 for location.
Selected metal frame and finish.

FOR ORIENTATION AND HANDING
PLEASE REFER TO SITE PLAN



DAVEY SMITH ARCHITECTS		13 THE SEAPoint BUILDING, 44-45 CLONTARF ROAD, DUBLIN 3 PH: 01 2447638 EMAIL: info@davey-smith.com WEB: www.davey-smith.com	
Layout ID:	D2101 - BIC03	Scale:	1:50
Project:	Ashbourne SHD	Job No:	D2101
Drawing Name:	Bicycle Storage Block B	Series:	Planning
		Date:	9/1/2022
		Status:	Planning