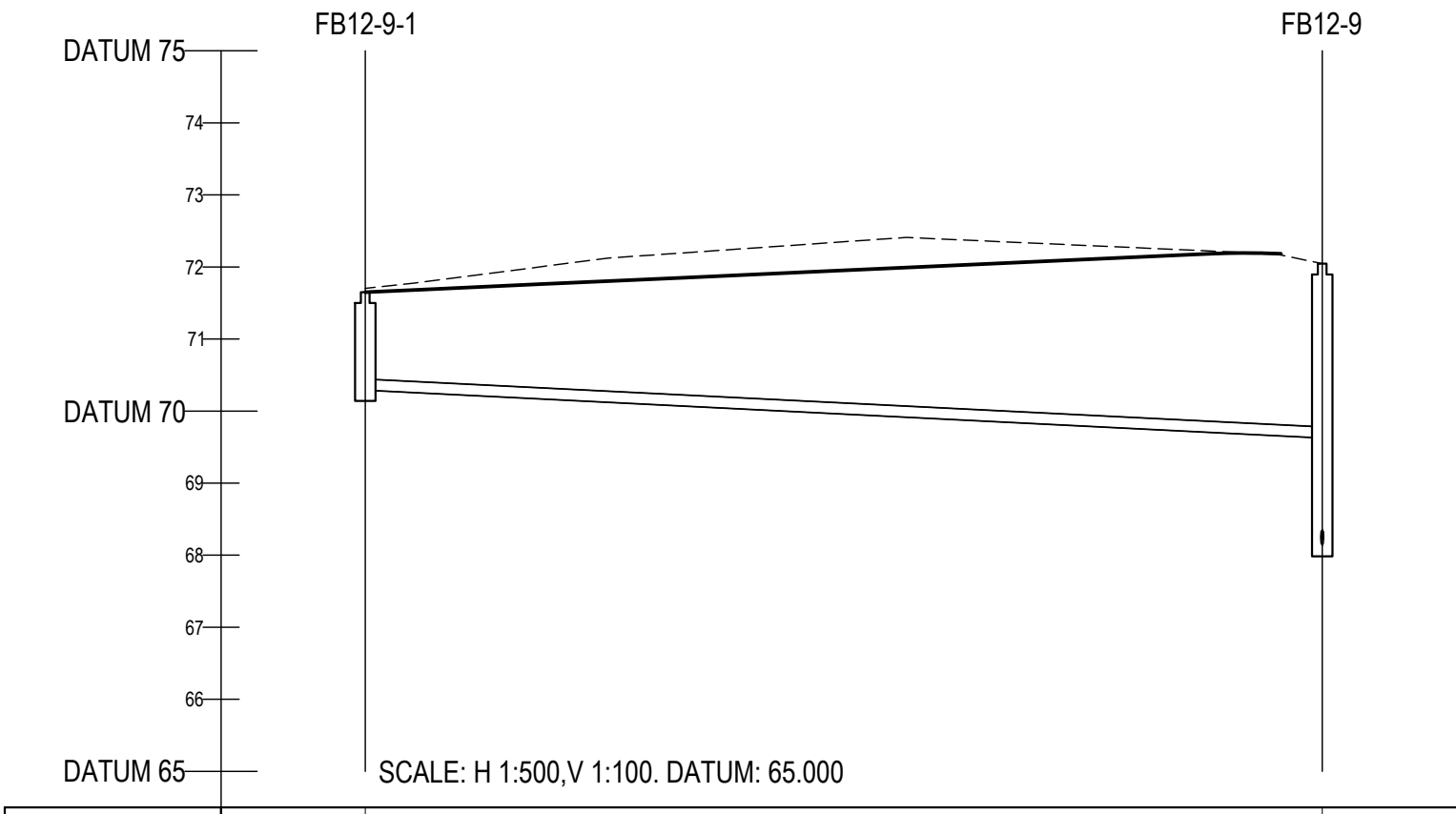


© COPYRIGHT OF THIS DRAWING IS RESERVED BY DBFL CONSULTING ENGINEERS. NO PART SHALL BE REPRODUCED OR TRANSMITTED WITHOUT THEIR WRITTEN PERMISSION.

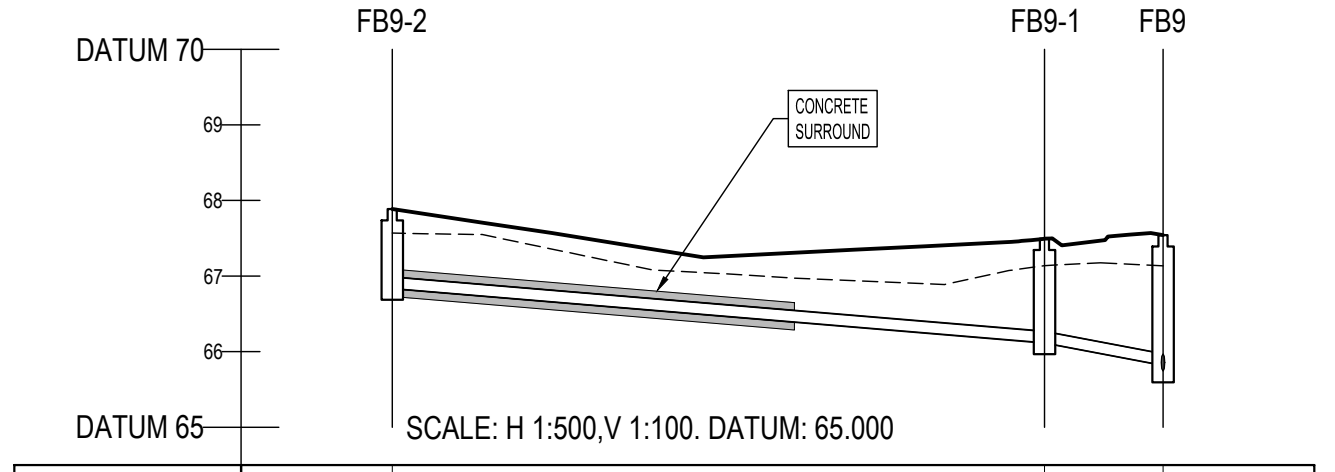
NO CHANGES OF WHATSOEVER NATURE ARE TO BE MADE TO ANY DETAILS SET OUT OR CONTAINED IN ANY DBFL SPECIFICATIONS OR DRAWINGS UNLESS THE EXPRESS CONSENT HAS BEEN OBTAINED IN ADVANCE, IN WRITING, FROM DBFL.

- NOTES:
- ALL DRAWINGS TO BE CHECKED BY CONTRACTOR ON SITE AND ENGINEER INFORMED OF DISCREPANCIES BEFORE WORK COMMENCES
 - ALL LEVELS ARE IN METRES AND ARE RELATED TO ORDINANCE DATUM
 - CONTRACTOR SHALL SATISFY HIMSELF AS TO THE ACCURACY OF PAVEMENT LEVELS ON SITE PRIOR TO COMMENCEMENT OF WORKS ON SITE
 - ALL WORKS TO BE CONSTRUCTED IN ACCORDANCE WITH THE NRA SPECIFICATION FOR ROAD WORKS UNLESS NOTED OTHERWISE
 - THIS DRAWING IS FOR PLANNING PURPOSES ONLY
 - MANHOLE COVER LEVELS ARE TO CONFORM WITH FINISHED ROAD AND PATH LEVELS
 - WHERE COVER TO PIPE IS LESS THAN 1200mm (ROAD/PATH/VERGE) OR 900mm (OPEN SPACE) SURROUND PIPE IN MINIMUM 150mm CONCRETE

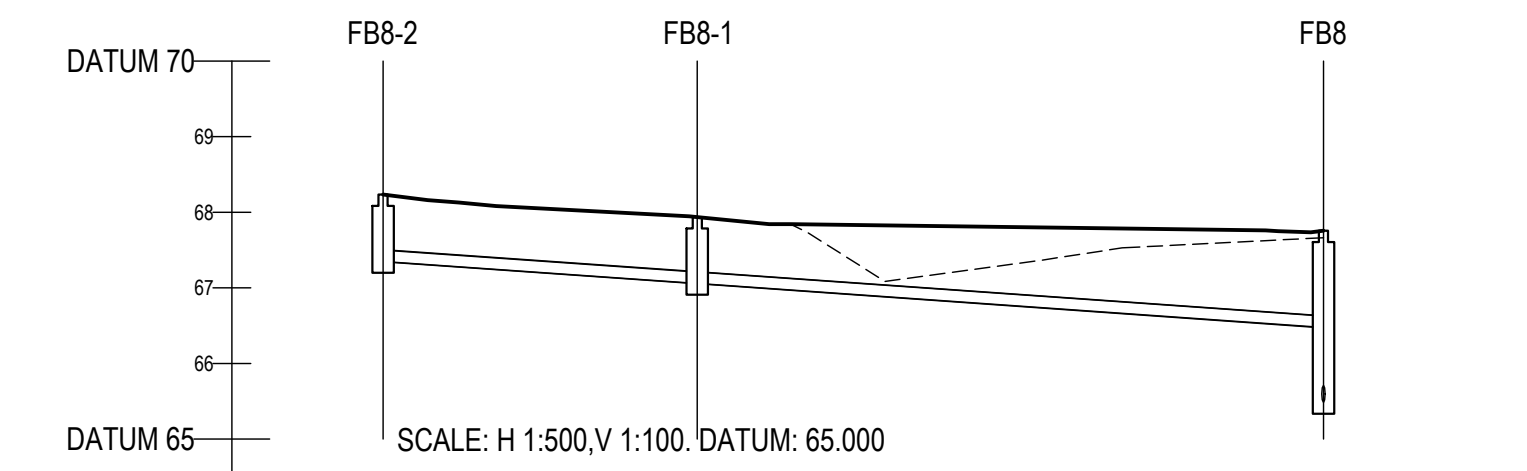
KEY
 - - - - - EXISTING GROUND PROFILE
 _____ PROPOSED GROUND PROFILE



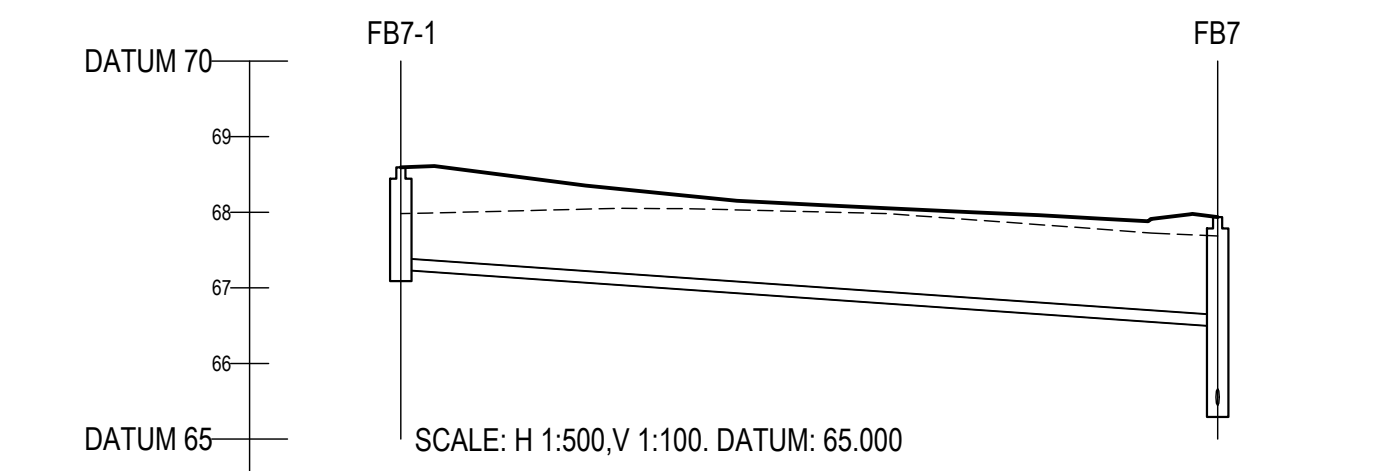
COVER LEVEL	71.650	72.046
INVERT LEVEL	70.292	69.628
DEPTH (m)	1.358	3.913
DISTANCE (m)	66.38	
PIPE SLOPE	1:100	
PIPE SIZE	150mm	
PIPE TYPE	uPVC SN8	



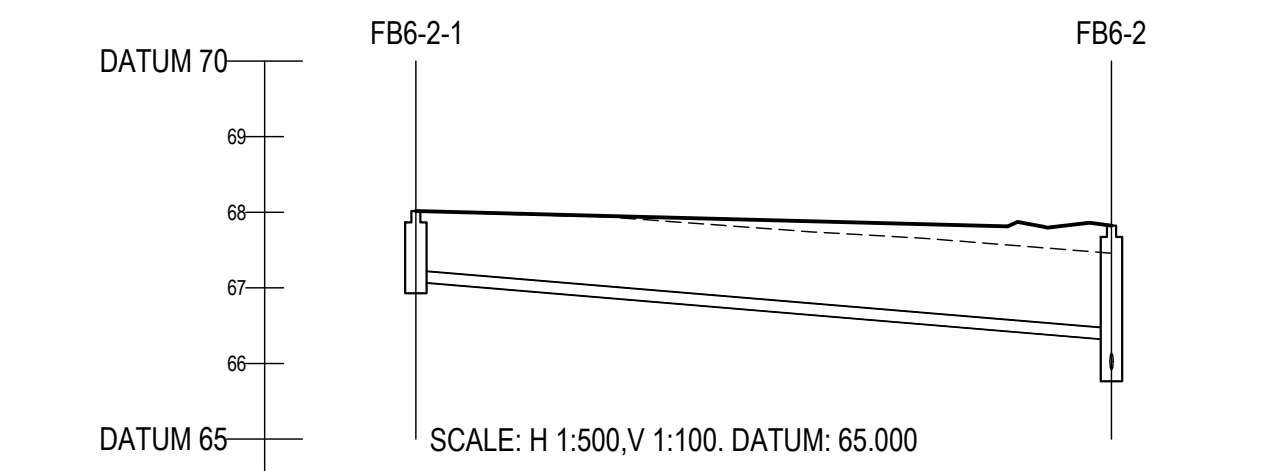
COVER LEVEL	67.986	67.494	67.542
INVERT LEVEL	66.836	66.117	66.819
DEPTH (m)	1.150	1.377	1.797
DISTANCE (m)	9.000	43.14	7.84
PIPE SLOPE	1:60	1:26	
PIPE SIZE	150mm	150mm	
PIPE TYPE	uPVC SN8	uPVC SN8	



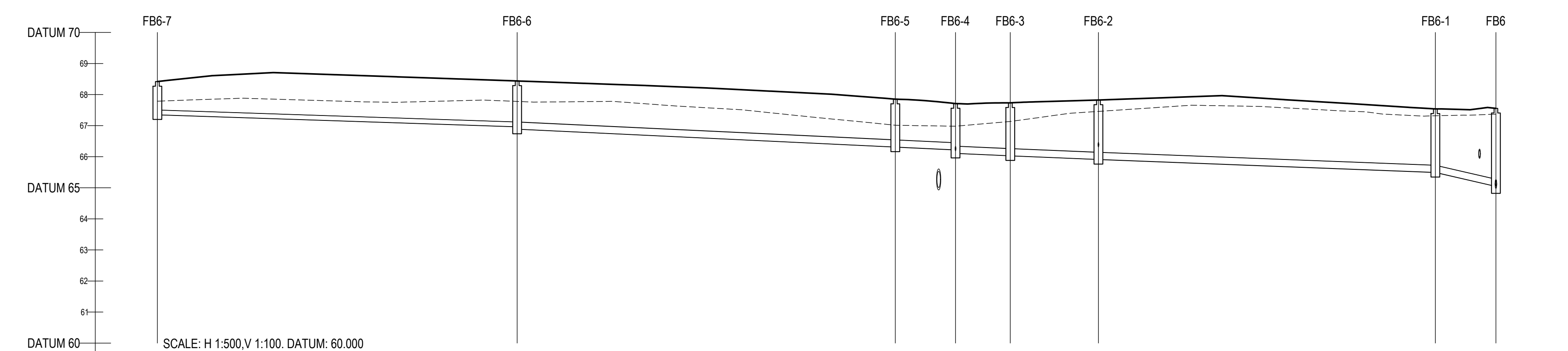
COVER LEVEL	68.234	67.936	67.757
INVERT LEVEL	67.350	67.059	66.475
DEPTH (m)	0.884	0.877	2.271
DISTANCE (m)	20.78	41.42	
PIPE SLOPE	1:71	1:71	
PIPE SIZE	150mm	150mm	
PIPE TYPE	uPVC SN8	uPVC SN8	



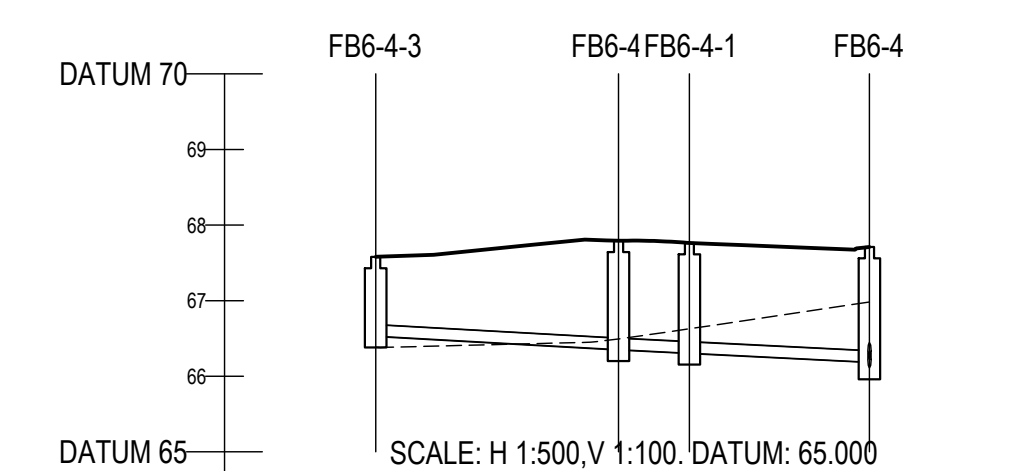
COVER LEVEL	68.695	67.935
INVERT LEVEL	67.240	66.490
DEPTH (m)	1.355	2.443
DISTANCE (m)	54.02	
PIPE SLOPE	1:72	
PIPE SIZE	150mm	
PIPE TYPE	uPVC SN8	



COVER LEVEL	68.016	67.824
INVERT LEVEL	67.079	66.312
DEPTH (m)	0.937	1.570
DISTANCE (m)	46.01	
PIPE SLOPE	1:60	
PIPE SIZE	150mm	
PIPE TYPE	uPVC SN8	



COVER LEVEL	68.420	68.437	67.852	67.709	67.733	67.824	67.529	67.596
INVERT LEVEL	67.360	66.864	66.313	66.211	66.032	65.973	65.465	65.047
DEPTH (m)	1.070	1.549	1.519	1.598	1.702	1.910	2.043	2.545
DISTANCE (m)		57.93	60.88	9.69	8.82	14.19	54.24	9.75
PIPE SLOPE	1:150	1:106	1:105	1:112	1:120	1:130	1:22	
PIPE SIZE	150mm	225mm	225mm	225mm	225mm	225mm	225mm	
PIPE TYPE	uPVC SN8	uPVC SN8	uPVC SN8	uPVC SN8	uPVC SN8	uPVC SN8	uPVC SN8	



COVER LEVEL	67.590	67.792	67.793	67.709
INVERT LEVEL	66.530	66.307	66.305	66.186
DEPTH (m)	1.050	1.440	1.459	1.599
DISTANCE (m)	16.06	4.68	11.91	
PIPE SLOPE	1:90	1:100	1:100	
PIPE SIZE	150mm	150mm	150mm	
PIPE TYPE	uPVC SN8	uPVC SN8	uPVC SN8	

P01	01-09-22	STAGE 3 SHD PLANNING	GMC	BCM
rev	date	description	by	chkd.
		A - Approved		
		B - Approved with comments		
		C - Do not use		
client approval				
suitability		issue purpose		
S2 - INFORMATION		PLANNING		



DBFL Consulting Engineers
 Civil, Structural & Transportation Engineering
 www.dbfl.ie
 DUBLIN OFFICE: Ormond House, Upper Ormond Quay, Dublin 7, D07 W704
 PHONE: +353 1 450 4000
 CORK OFFICE: Phoenix House, Monahan Road, Cork, T12 H1XV
 PHONE: +353 (0) 21 2024538
 WATERFORD OFFICE: Suite 10 The Arkun, Maritime Gate, Canada Street, Waterford, X91 W028
 PHONE: +353 51 309 500

project ref.
 ASHBOURNE SHD
 drawing title
 LONGITUDINAL SECTIONS THROUGH
 FOUL SEWER SHEET 7
 client
 ARNOLD LTD. & ASPECT HOMES (ADC)
 LTD

designed by
 BCM
 author
 GMC
 scale
 H 1:500, V 1:100
 sheet size
 A1
 drawing no.
 200059-DBFL-FW-SP-DR-C-3307
 P01