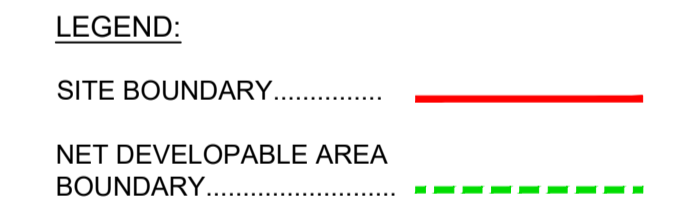
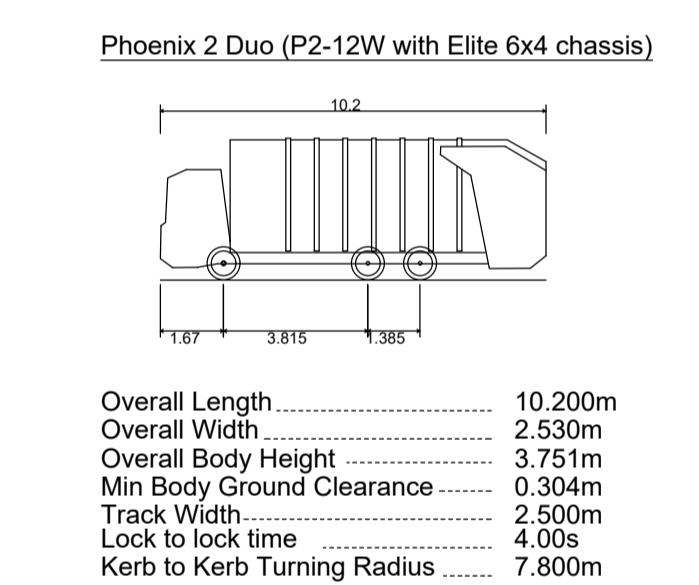
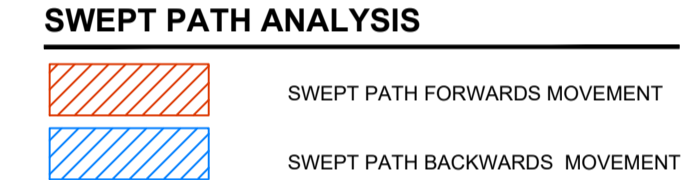


- NOTES**
- THIS DRAWING IS TO BE READ IN CONJUNCTION WITH ALL OTHER RELEVANT ARCHITECTURAL AND ENGINEERING DRAWINGS. ANY DISCREPANCIES, ERRORS OR OMISSIONS TO BE BROUGHT TO THE ATTENTION OF THE DESIGNER.
 - ALL DIMENSIONS TO BE CHECKED BY THE CONTRACTOR ON SITE PRIOR TO COMMENCEMENT OF WORKS.
 - AECOM LIMITED TO BE INFORMED BY THE CONTRACTOR OF ANY DISCREPANCIES PRIOR TO THE COMMENCEMENT OF WORKS ON SITE.
 - DIMENSIONS OF ALL BOUNDARIES AND ADJOINING ROADS TO BE CHECKED ON SITE PRIOR TO COMMENCEMENT OF WORKS.
 - THIS DESIGN DRAWING HAS BEEN DEVELOPED USING THE FOLLOWING TOPOGRAPHICAL SURVEYS: LDA SURVEY (MSL 3995 REV 12.05.2021) AND HINES SURVEY (MSL 3430 REV 24.06.2020).



ISSUE/REVISION

NO	DATE	DESCRIPTION
0	18.11.2022	ISSUED FOR PLANNING
I/R	DATE	DESCRIPTION

PROJECT NUMBER
60648061

SHEET TITLE
PROPOSED REFUSE VEHICLE SWEEP PATH ANALYSIS - WITH ADJACENT EXTANT PERMISSIONS

SHEET NUMBER
STG-AEC-S1b-00-00-DR-C-0000105

A PROPOSED REFUSE VEHICLE SWEEP PATH ANALYSIS - WITH ADJACENT EXTANT PERMISSIONS

0105

Scale: 1:500

This drawing has been prepared for the use of AECOM's client. It may not be used, modified, reproduced or related upon by third parties, except as agreed by AECOM or as required by law. AECOM accepts no responsibility, and denies any liability, whatsoever, to any party that uses or relies on this drawing without AECOM's express written consent. Do not scale this document. All measurements must be obtained from the stated dimensions.