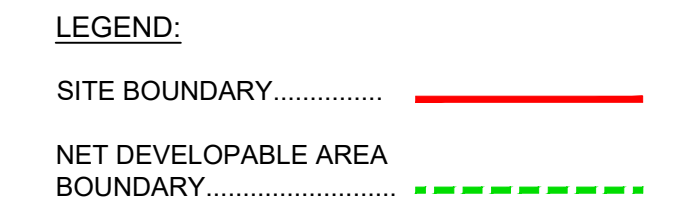
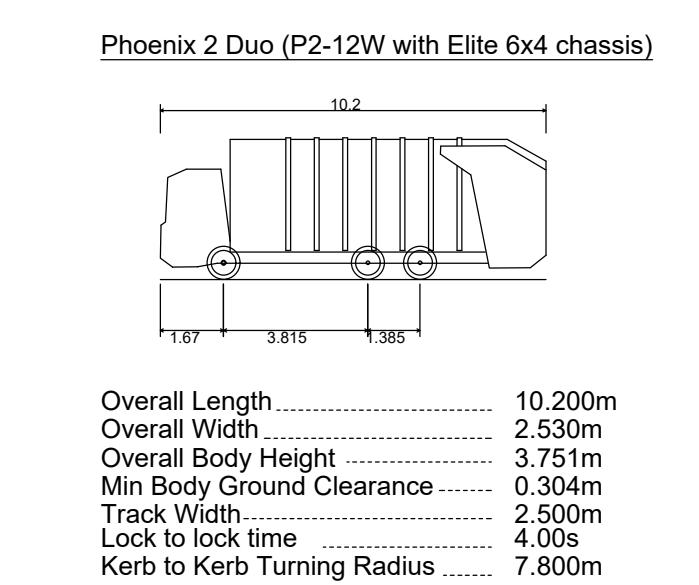
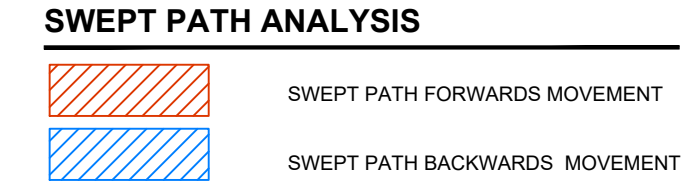


- NOTES**
- THIS DRAWING IS TO BE READ IN CONJUNCTION WITH ALL OTHER RELEVANT ARCHITECTURAL AND ENGINEERING DRAWINGS. ANY DISCREPANCIES, ERRORS OR OMISSIONS TO BE BROUGHT TO THE ATTENTION OF THE DESIGNER.
 - ALL DIMENSIONS TO BE CHECKED BY THE CONTRACTOR ON SITE PRIOR TO COMMENCEMENT OF WORKS.
 - AECOM LIMITED TO BE INFORMED BY THE CONTRACTOR OF ANY DISCREPANCIES PRIOR TO THE COMMENCEMENT OF WORKS ON SITE.
 - DIMENSIONS OF ALL BOUNDARIES AND ADJOINING ROADS TO BE CHECKED ON SITE PRIOR TO COMMENCEMENT OF WORKS.
 - THIS DESIGN DRAWING HAS BEEN DEVELOPED USING THE FOLLOWING TOPOGRAPHICAL SURVEYS: LDA SURVEY (MSL3995 REV1 21.05.2021) AND HINES' SURVEY (MSL35430 REV2 24.06.2020).



ISSUE/REVISION

NO	DATE	DESCRIPTION
0	18.11.2022	ISSUED FOR PLANNING
I/R	DATE	DESCRIPTION

PROJECT NUMBER
60648061

SHEET TITLE
PROPOSED REFUSE VEHICLE SWEPT PATH ANALYSIS - WITH ADJACENT EXTANT PERMISSIONS AND CURRENT APPLICATION

SHEET NUMBER
STG-AEC-S1b-00-00-DR-C-0000107

A PROPOSED REFUSE VEHICLE SWEPT PATH ANALYSIS - WITH ADJACENT EXTANT PERMISSIONS AND CURRENT APPLICATION

0107 Scale: 1:500

This drawing has been prepared for the use of AECOM's client. It may not be used, modified, reproduced or relied upon by third parties, except as agreed by AECOM or as required by law. AECOM accepts no responsibility, and denies any liability, whatsoever, to any party that uses or relies on this drawing without AECOM's express written consent. All measurements must be obtained from the stated dimensions.