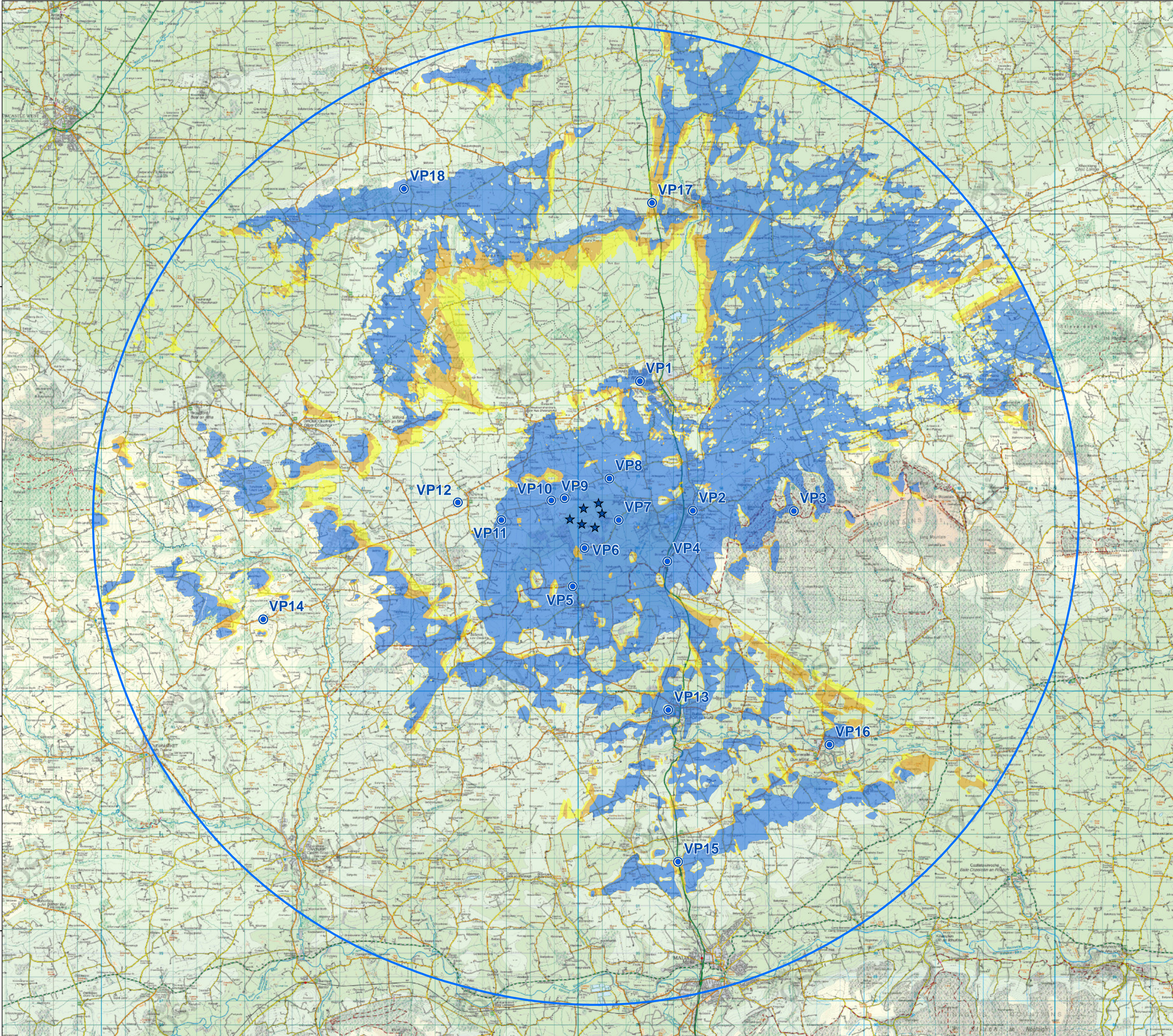


**ZTV (Zone of Theoretical Visibility) indicating the areas that have a potential view of the proposed turbines at Annagh Wind Farm (Hub Height 100m)**



**Proposed Turbines**



**Selected Viewpoints**



**No. Turbines Visible**



1 - 2

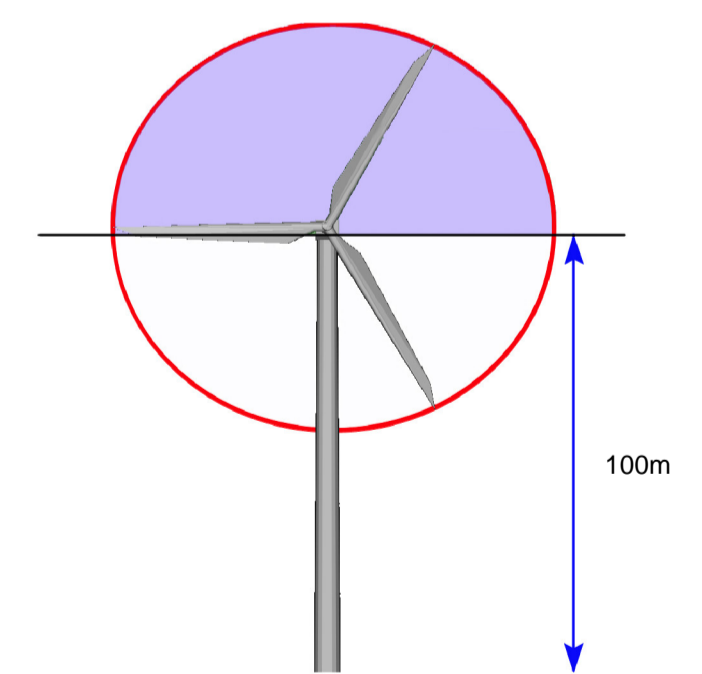
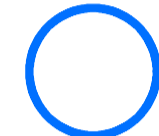


3 - 4



5 - 6

**20km Extent**



This ZTV map has been calculated such that a turbine registers as been theoretically visible to observers in the surrounding landscape once there is an unobstructed line of sight to its hubs.

Observer Height assumed: 2m to eye-level height  
Hub Heights: 100m

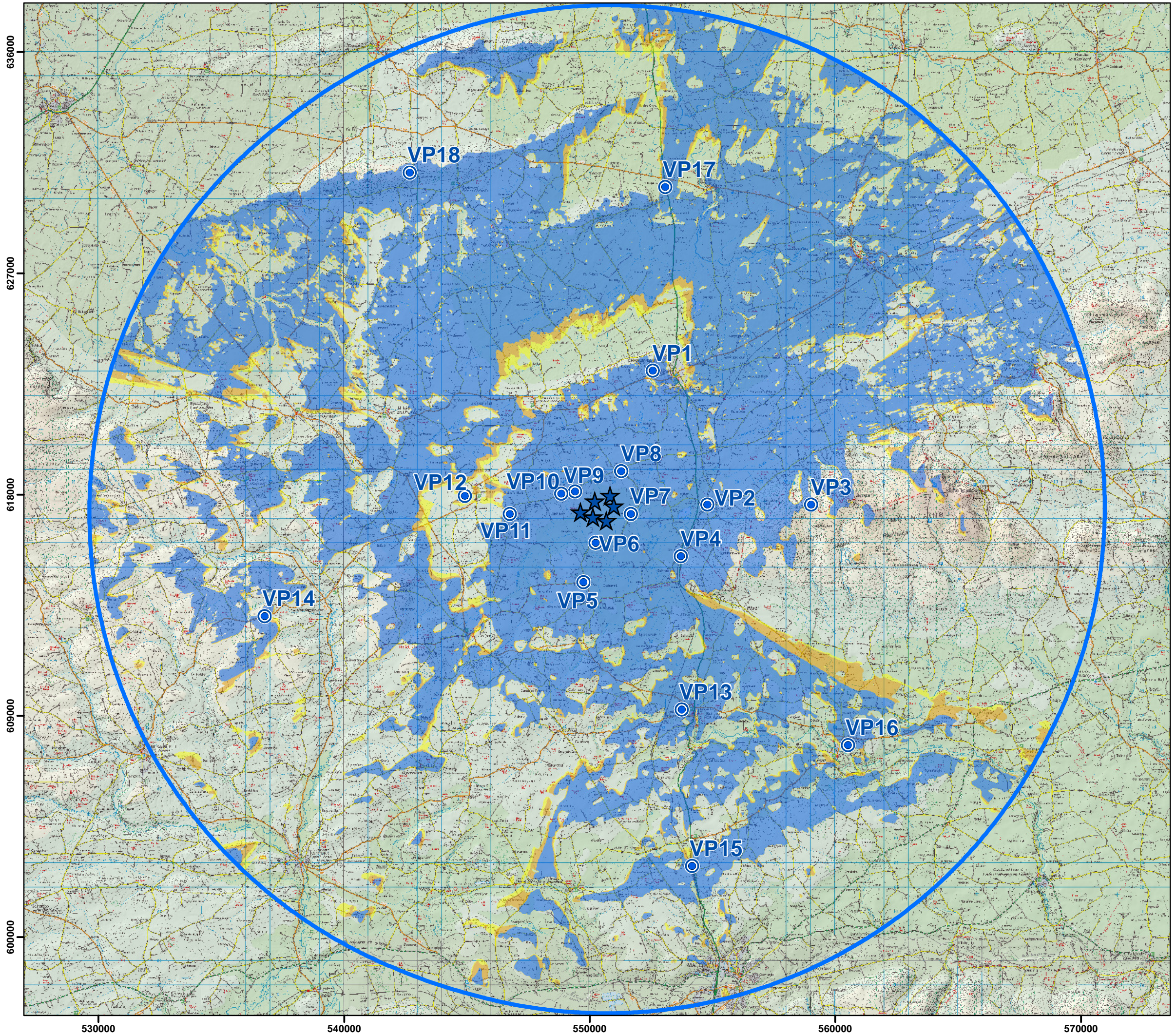
Note: This ZTV map is calculated for landform screening only and does not take account of the significant screening effects of vegetation (hedgerows, trees) and buildings inherent across the study area.

Scale: 1 : 78.000 if printed @ A1 size





**ZTV (Zone of Theoretical Visibility) indicating the areas that have a potential view of the proposed turbines at Annagh Wind Farm (Tip Height 175m)**



**Proposed Turbines**



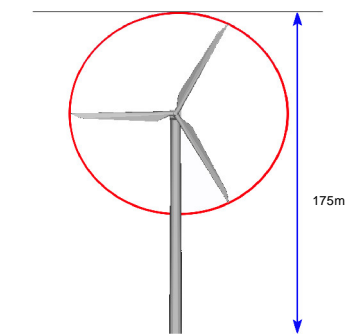
**Selected Viewpoints**



**No. Turbines Visible**



**20km Extent**



This ZTV map has been calculated such that a turbine registers as being theoretically visible to observers in the surrounding landscape once there is an unobstructed line of sight to its blade tip.

Observer Height assumed: 2m to eye-level height  
Blade Tip Heights: 175m

Note: This ZTV map is calculated for landform screening only and does not take account of the significant screening effects of vegetation (hedgerows, trees) and buildings inherent across the study area.

Scale: 1 : 150.000 if printed @ A3 size



