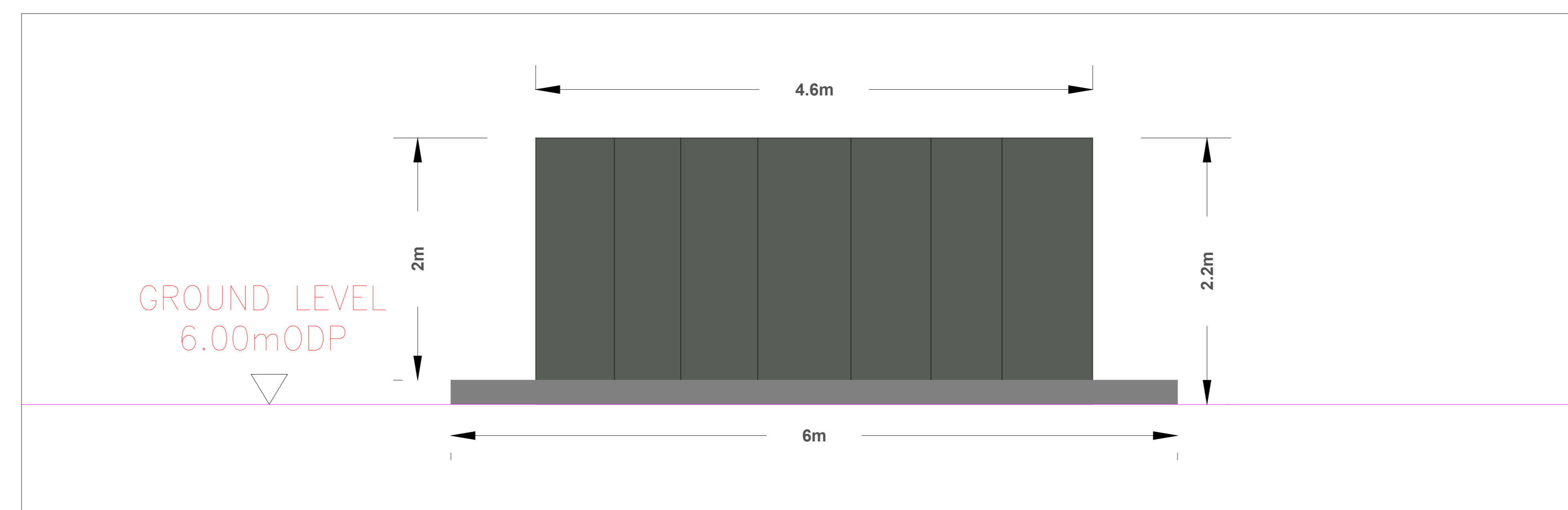
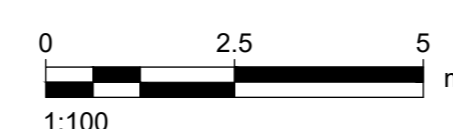
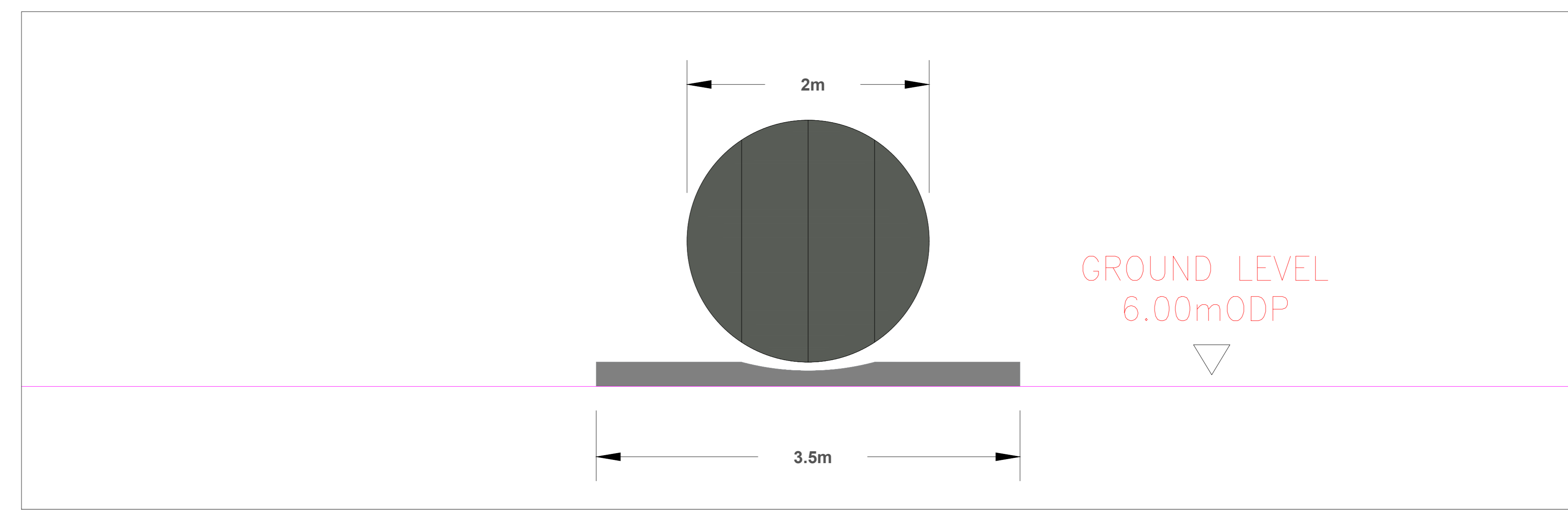


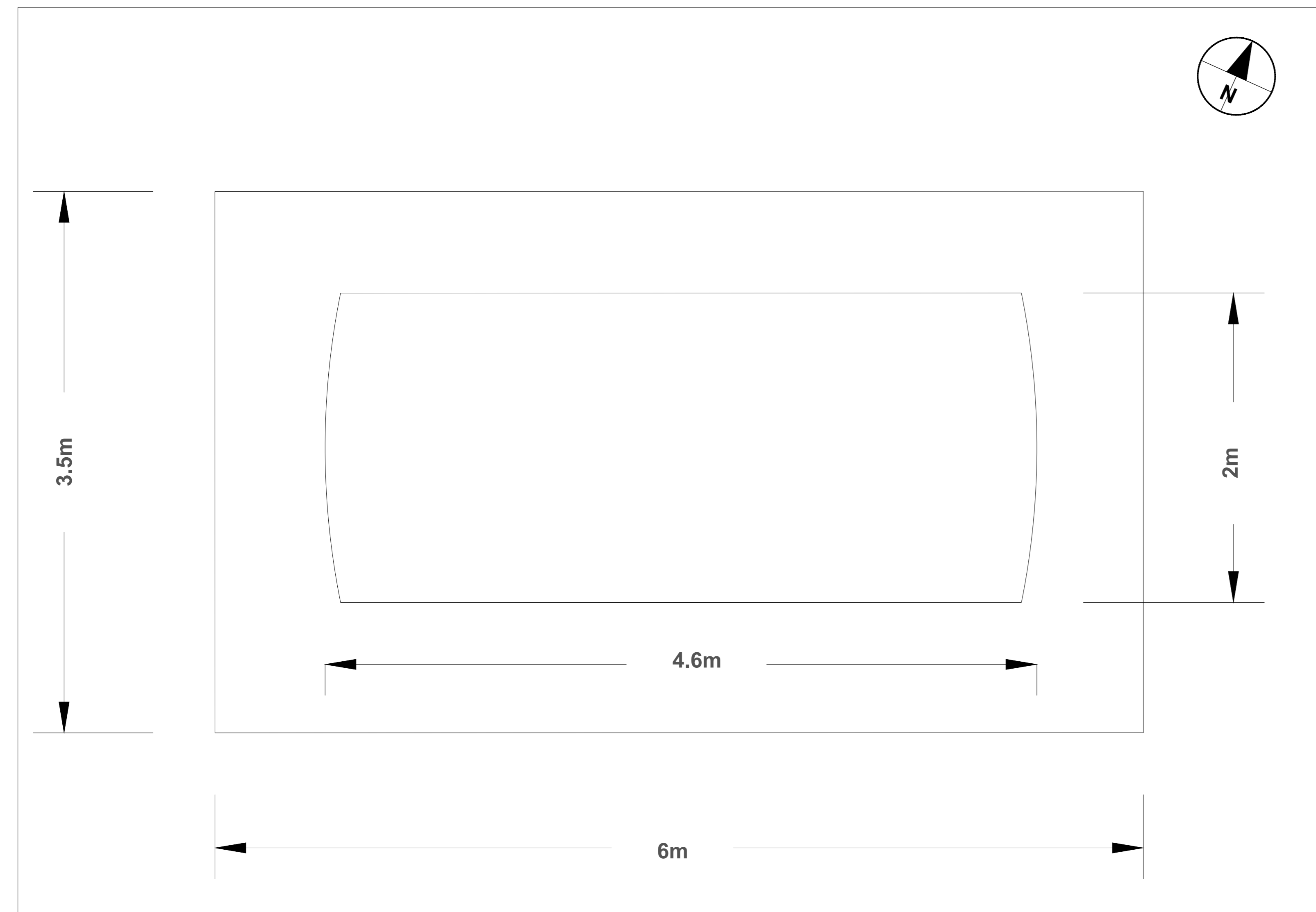
Location Plan



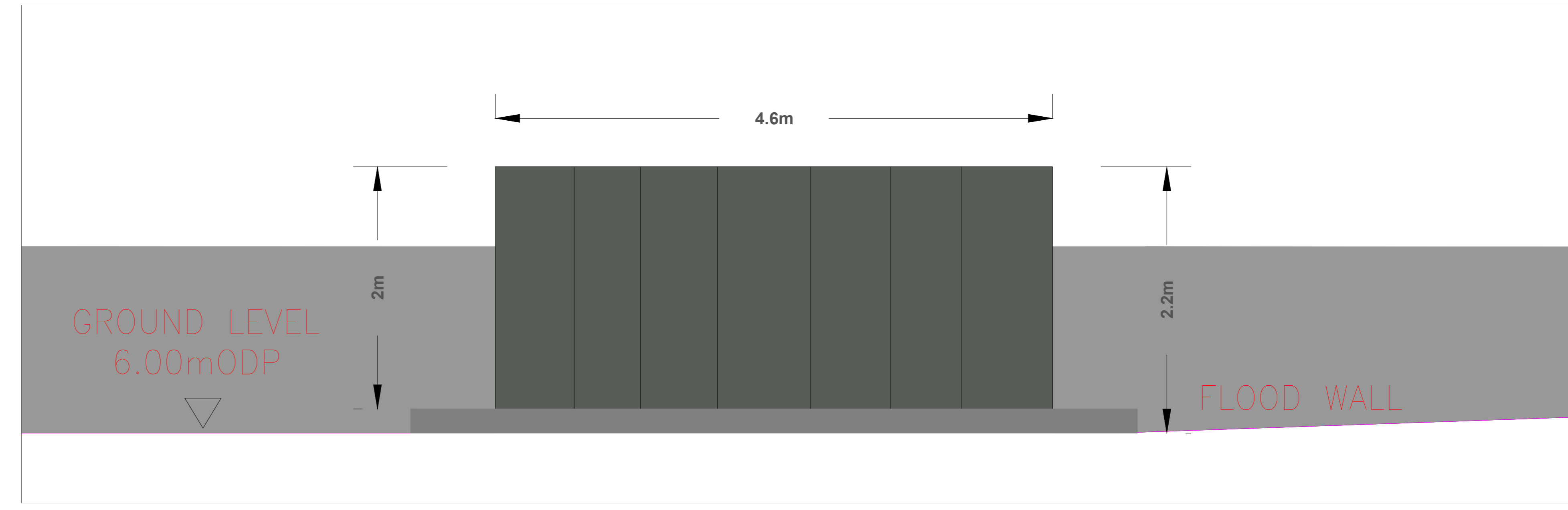
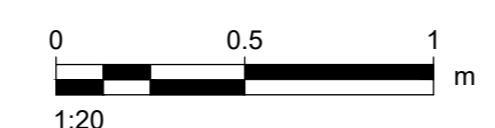
A-A NORTH WEST ELEVATION
 1:150



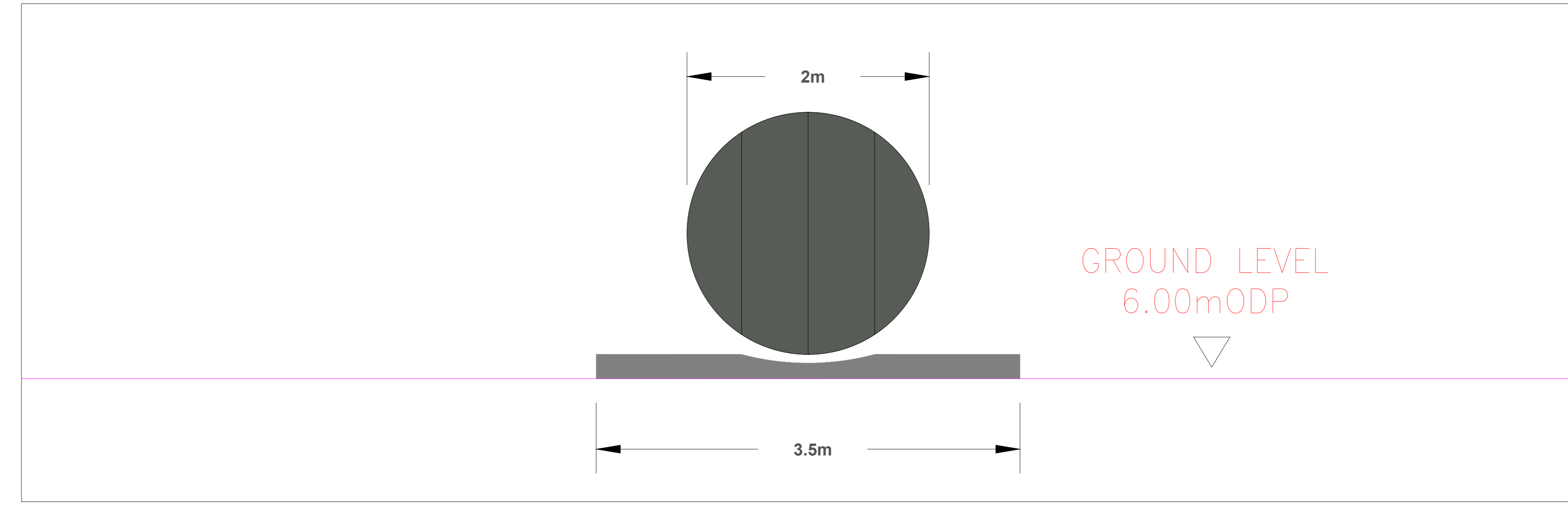
B-B NORTH EAST ELEVATION
 1:150



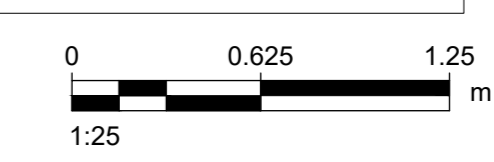
Backup Propane Tank Plan
 Scale 1:20



C-C SOUTH EAST ELEVATION
 1:150



D-D SOUTH WEST ELEVATION
 1:150



- NOTES**
1. PROPOSED ELEVATIONS ARE RELATIVE TO ORDNANCE DATUM POOLBEG
 2. TO BE PRINTED AT A0

DRAWN BY
 CONOR COONEY

ISSUE/REVISION		
I/R	DATE	DESCRIPTION
A	22/11/2023	FOR PLANNING

PROJECT NUMBER
 60695232

SHEET TITLE
 Propane Tank

Plan & Elevations

SHEET NUMBER
 60695232-TBT-DR-018

This drawing has been prepared for the use of AECOM's client. It may not be used, modified, reproduced or relied upon by third parties, except as required by AECOM or as required by law. AECOM accepts no responsibility, and denies any liability, whatsoever, to any party that uses or relies on this drawing without AECOM's express, written consent. Do not scale this document. All measurements must be obtained from the stated dimensions.