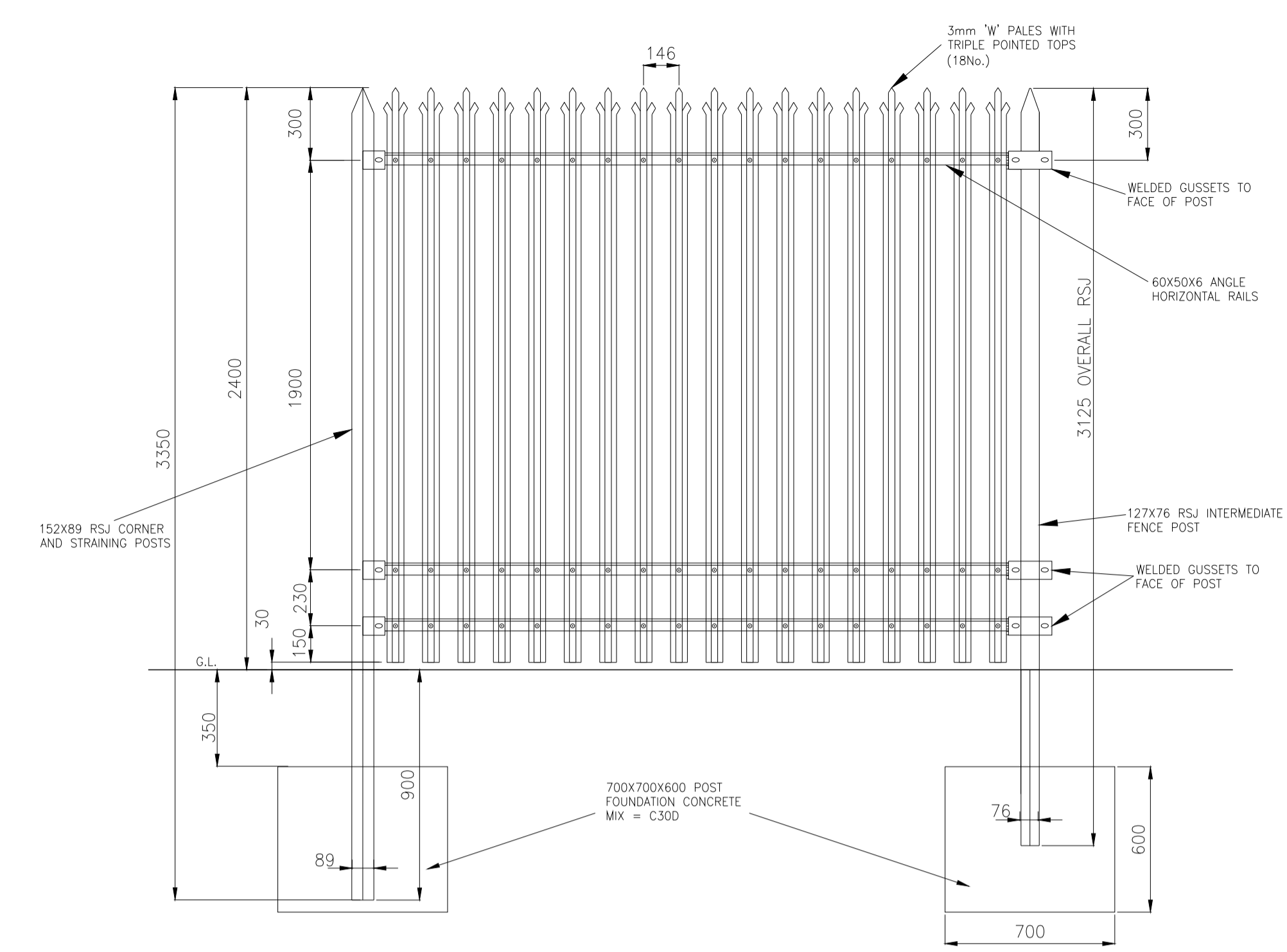
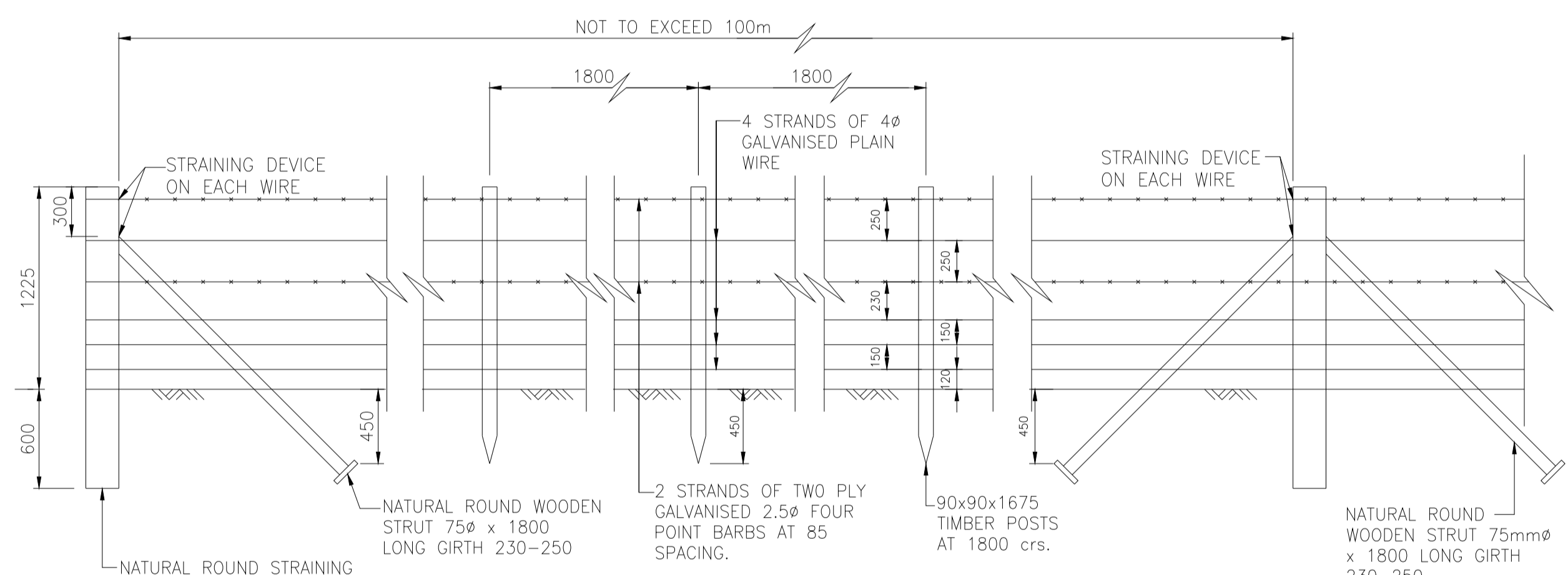


2.4m HIGH STANDARD PALISADE GATE DETAILS
 SCALE 1:20



2.4m HIGH PALISADE FENCE DETAILS
 SCALE 1:20



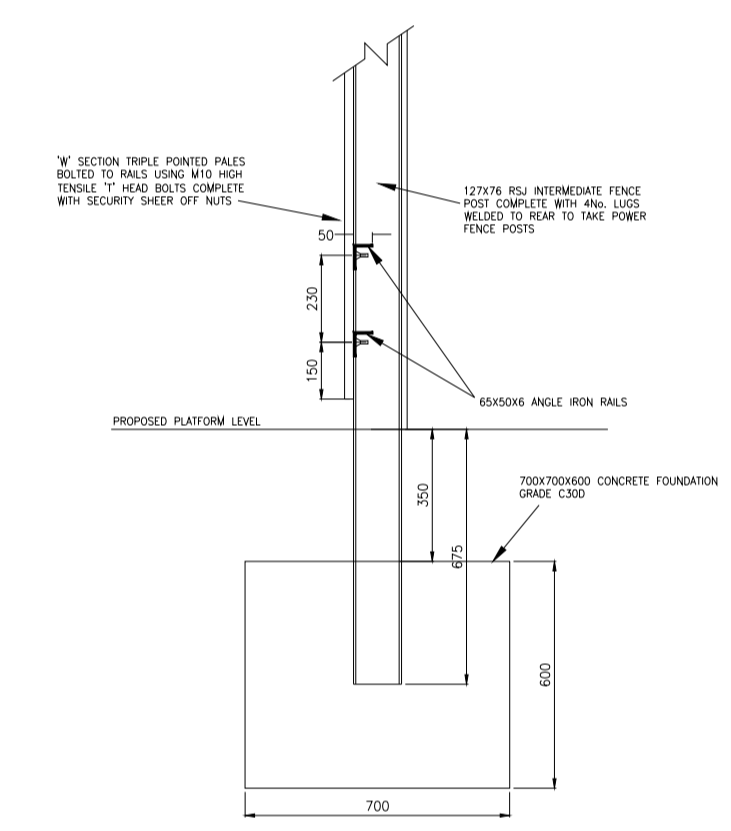
PROPOSED POST & WIRE FENCE DETAILS
 NOT TO SCALE

GENERAL NOTES:

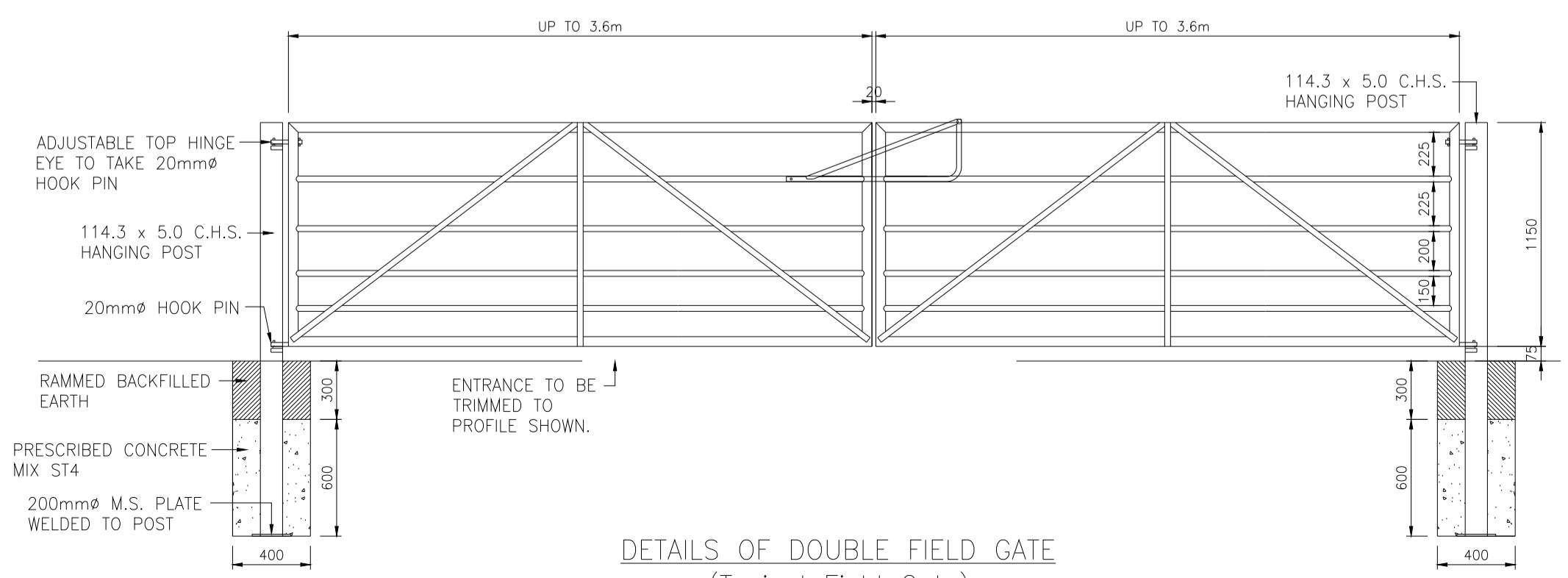
1. MATERIALS FOR POST AND WIRE FENCING TO COMPLY WITH BS 1722 : PART 3.
2. STRAINER POSTS TO BE USED AT ALL CHANGES OF DIRECTION.
3. STRUTS SHALL BE FIXED TO POSTS WITH ONE 100 x 4mm GALVANISED ROUND STEEL WIRE NAIL.
4. STRUTS SHALL HAVE WOODEN BASE PLATES 150mm x 150mm x 25mm THICK FIXED TO STRUT BY 4 No. GALVANISED ROUND WIRE NAILS.
5. IF POSTS ARE TO BE DRIVEN THE BUTT END SHALL BE POINTED FOR 225mm.
6. IF POSTS ARE NOT DRIVEN THE POST HOLES SHALL BE CAREFULLY BACKFILLED AND RAMMED AS FILLING PROCEEDS.
7. ALL DIMENSIONS ARE IN (mm) UNLESS NOTED OTHERWISE.

FIELD GATE GENERAL NOTES:

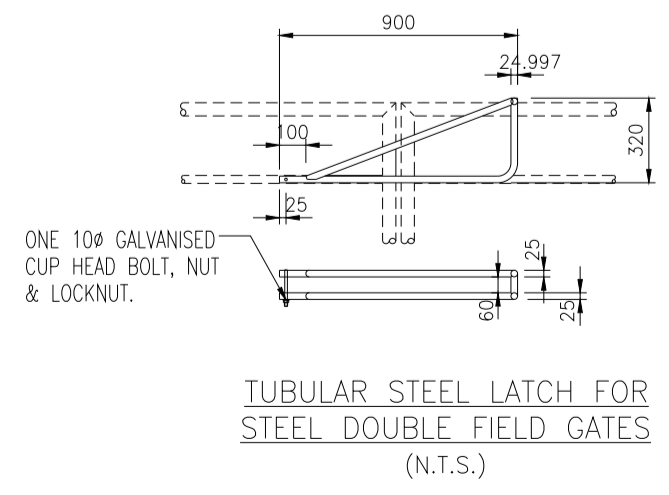
1. ALL GATES AND POSTS TO BE FABRICATED IN ACCORDANCE WITH BS 3470:1975 "SPECIFICATION FOR FIELD GATES AND POSTS".
2. GATE CONSTRUCTION:
 - 2.1 OUTER FRAME TO BE 47.6
 - 2.2 INFILLING HORIZONTAL RAILS TO BE 34.9 ERW TUBE.
 - 2.3 DIAGONAL AND VERTICAL BRACING TO BE 30 x 5 M.S. FLATS
3. PROTECTION:
 - 3.1 ALL STEEL PARTS AFTER FABRICATION SHALL BE HOT-DIP GALVANISED IN ACCORDANCE WITH BS 729.
4. ERECTION:
 - 4.1 ALL GATES SHALL BE ERECTED TO HANG AND SHUT AGAINST THE POSTS SO THAT THEY OPEN ONE WAY ONLY i.e. INTO THE FIELD.
 - 4.2 PROVISION SHALL BE MADE IN HINGES FOR ADJUSTMENT TO COMPENSATE FOR ANY DROPPING OF THE GATE IN SERVICE.



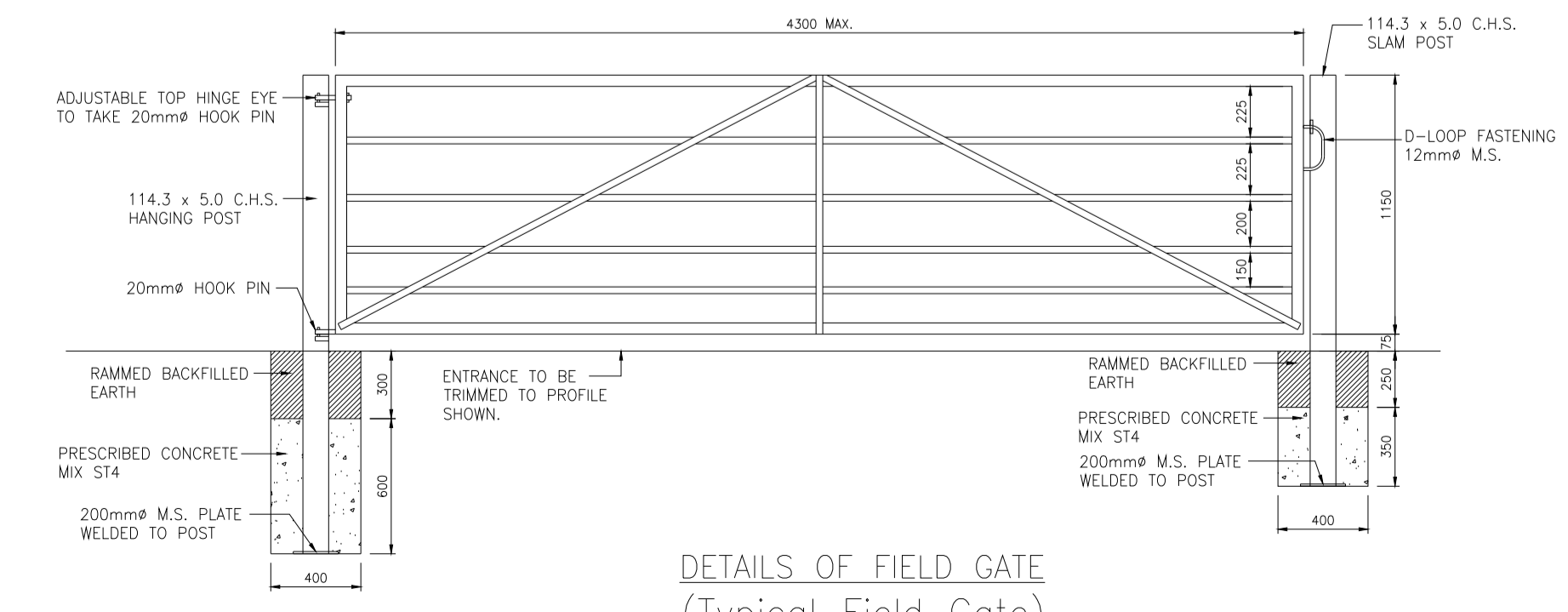
2.4m HIGH PALISADE FENCE TYPICAL CROSS SECTION VIEW OF AN INTERMEDIATE FENCE POST
 SCALE 1:20



DETAILS OF DOUBLE FIELD GATE
 (Typical Field Gate)
 NOT TO SCALE



TUBULAR STEEL LATCH FOR STEEL DOUBLE FIELD GATES
 (N.T.S.)



DETAILS OF FIELD GATE
 (Typical Field Gate)
 NOT TO SCALE

NOTES

1. TO BE PRINTED AT A1

DRAWN BY

CONOR COONEY

ISSUE/REVISION

NO.	DATE	DESCRIPTION
B	27/10/2023	FOR PLANNING
A	03/10/2023	FOR COMMENT
I/R	DATE	DESCRIPTION

PROJECT NUMBER

60695232

SHEET TITLE

TYPICAL FENCING DETAILS

SHEET NUMBER

60695232-TBT-DR-021

This drawing has been prepared for the use of AECOM's client. It may not be used, modified, reproduced or relied upon by third parties, except as agreed by AECOM or as required by law. AECOM accepts no responsibility, and denies any liability, whatsoever, to any party that uses or relies on this drawing without AECOM's express written consent. Do not scale this document. All measurements must be obtained from the stated dimensions.