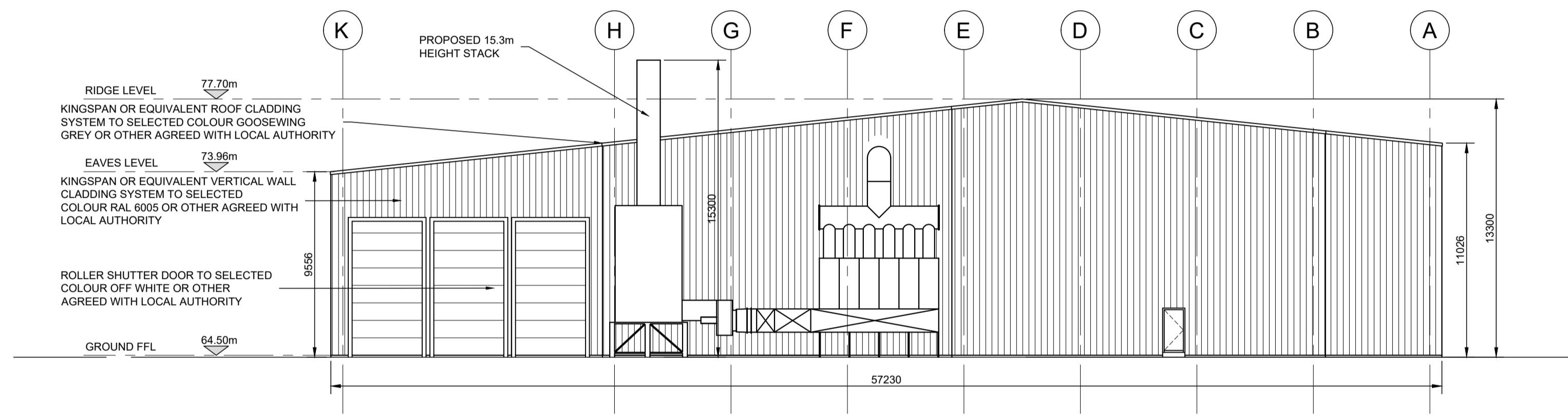
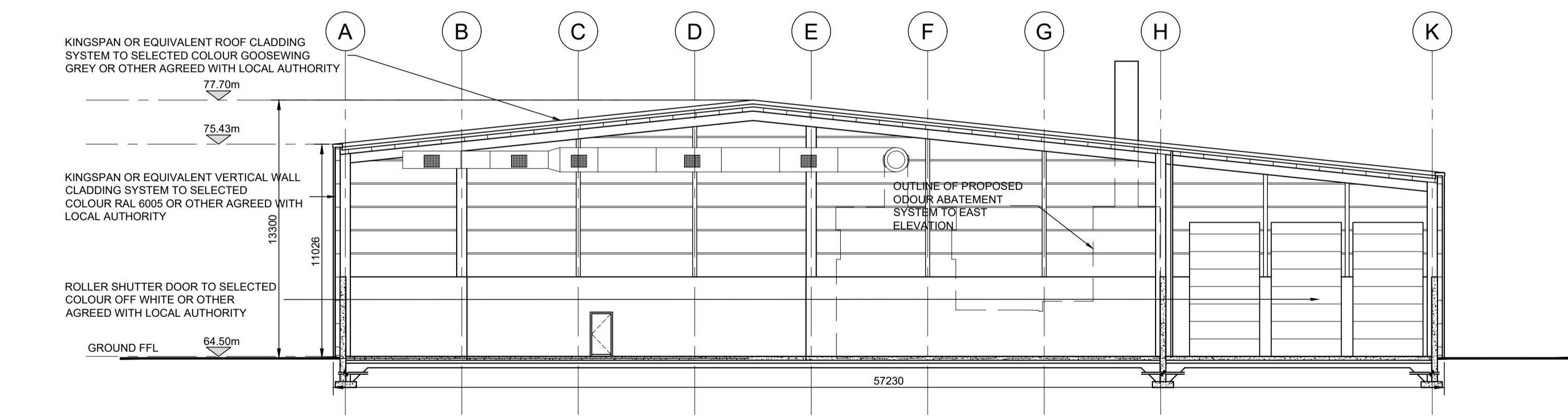


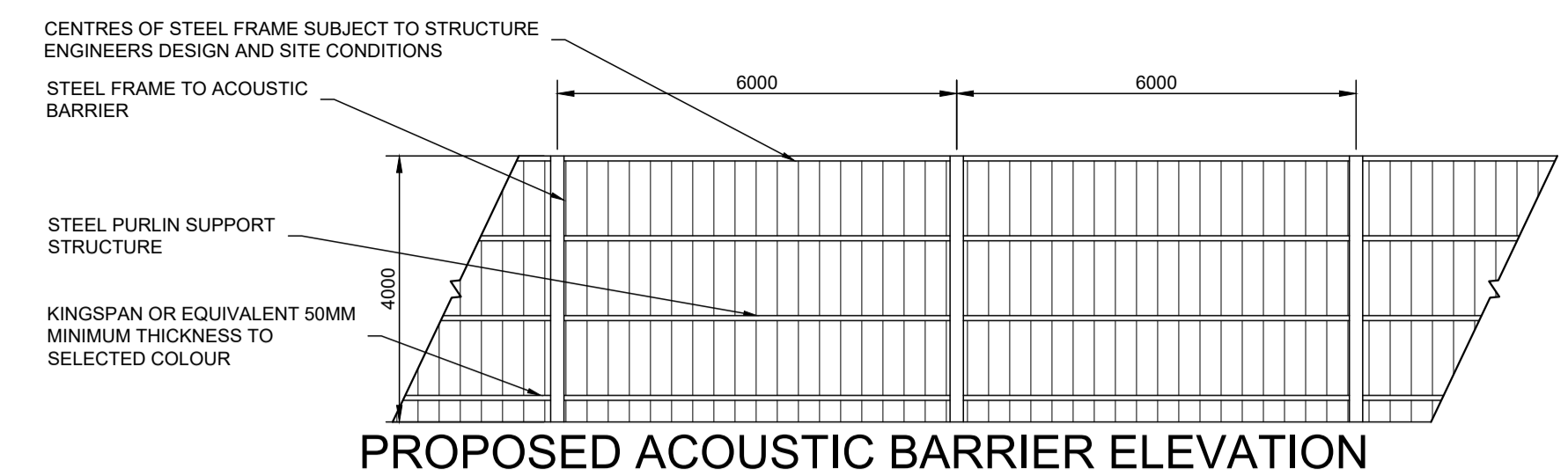
PROPOSED SOUTHWEST ELEVATION
SCALE 1:200



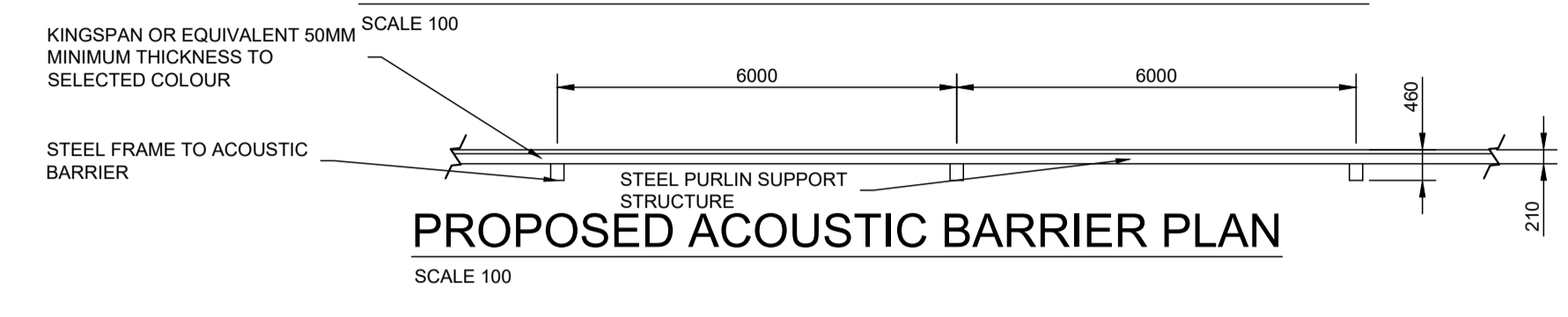
PROPOSED NORTHEAST ELEVATION
SCALE 1:200



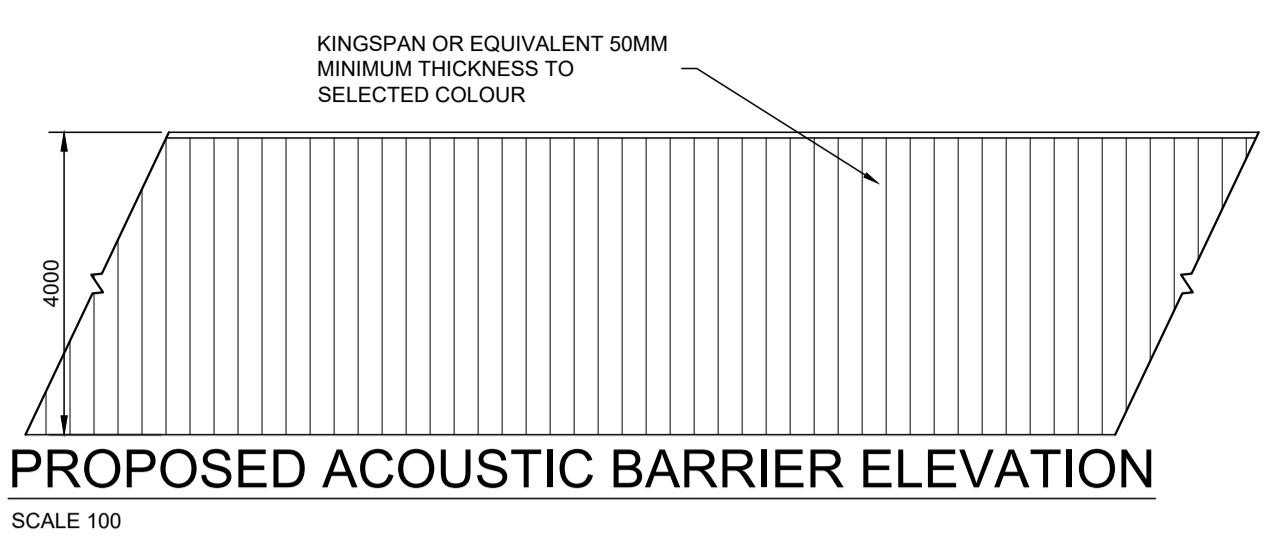
PROPOSED SECTION A-A
SCALE 1:200



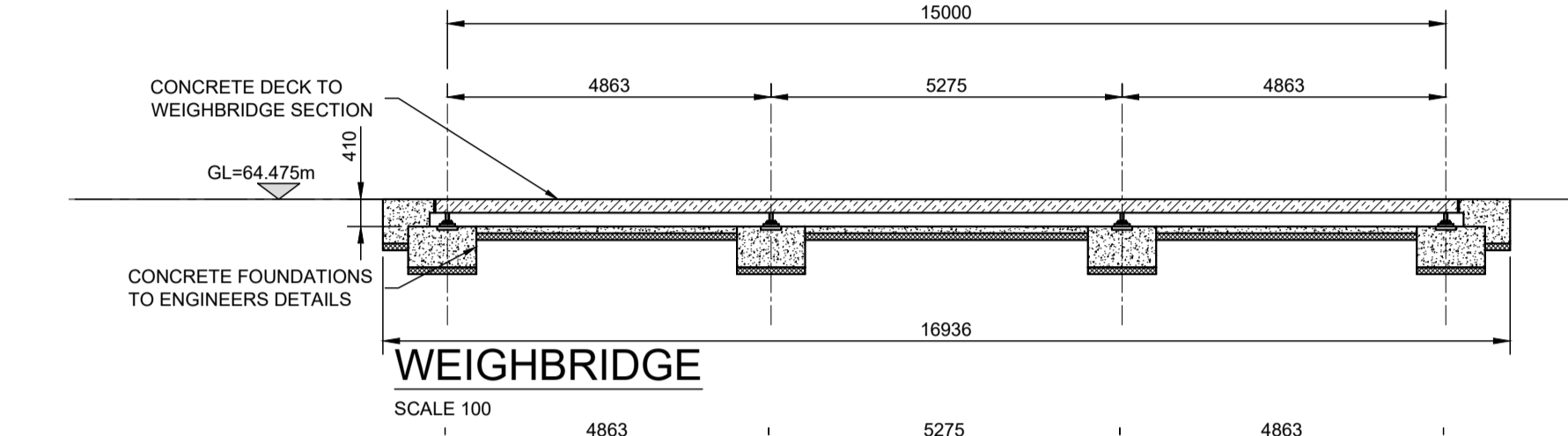
PROPOSED ACOUSTIC BARRIER ELEVATION
SCALE 100



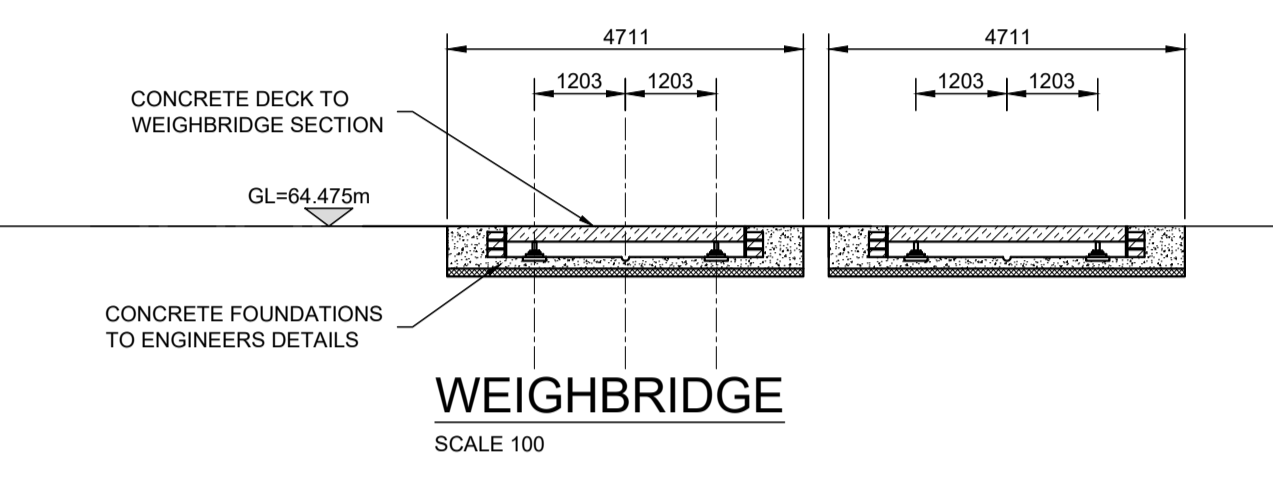
PROPOSED ACOUSTIC BARRIER PLAN
SCALE 100



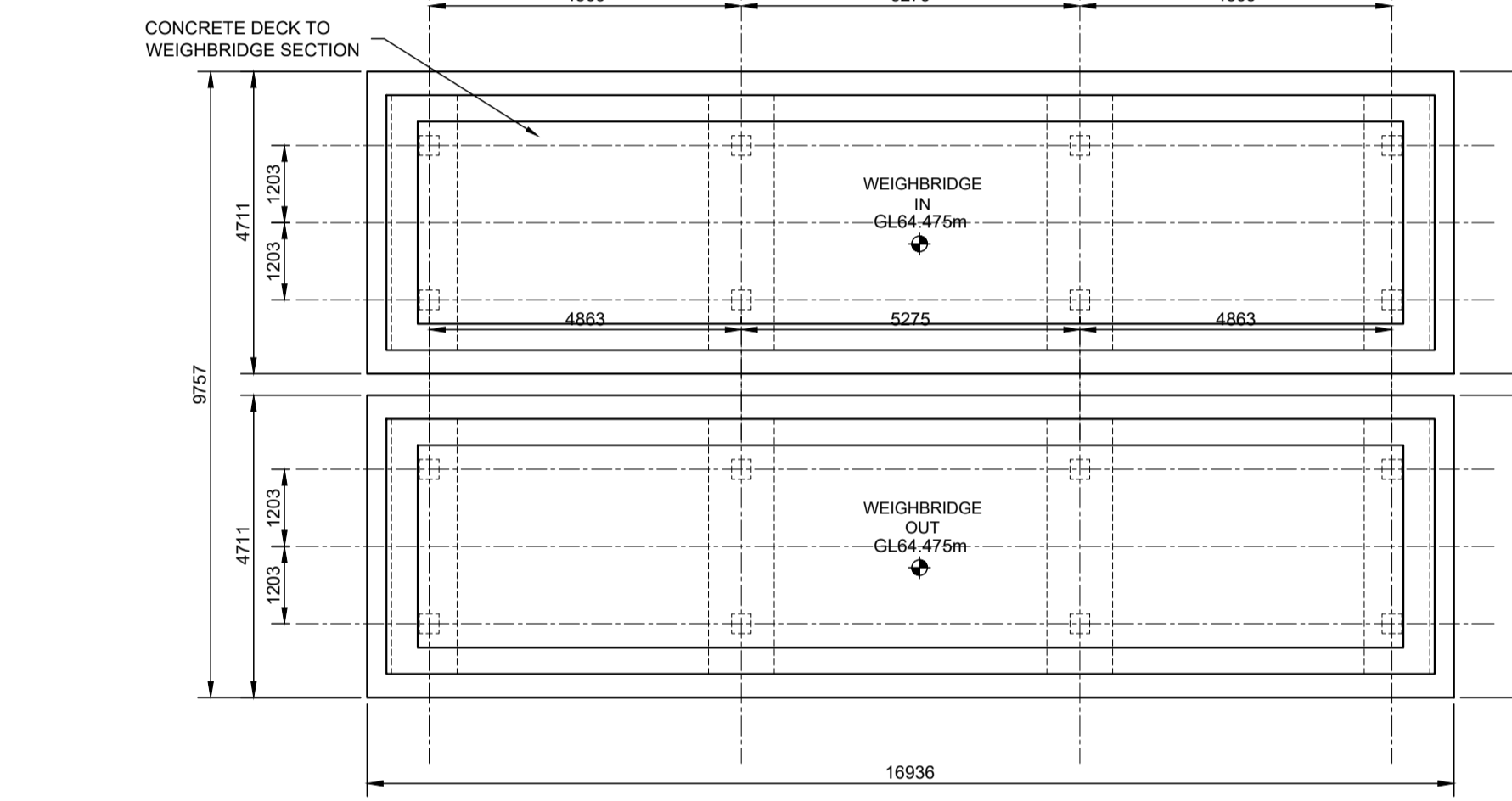
PROPOSED ACOUSTIC BARRIER ELEVATION
SCALE 100



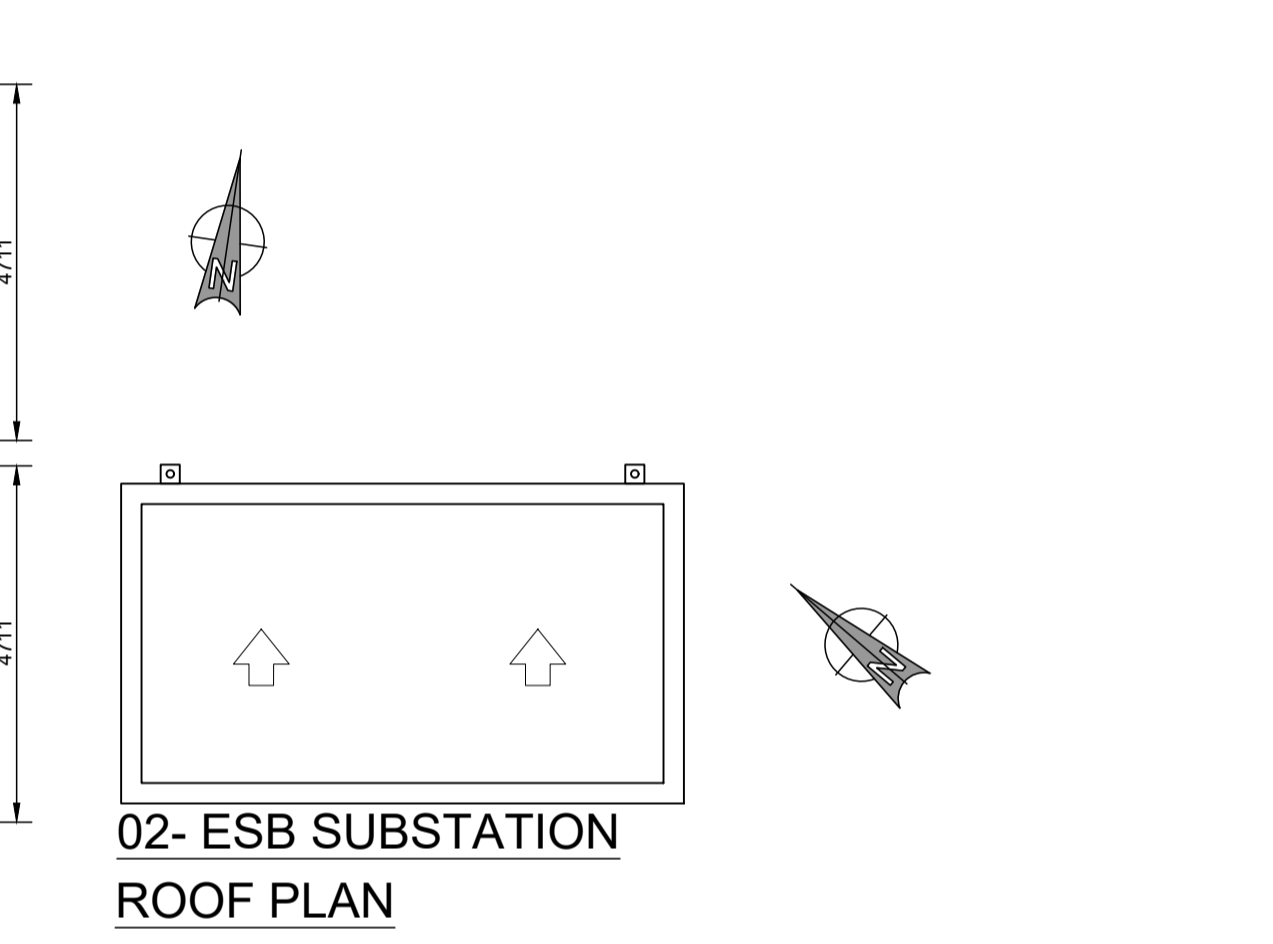
WEIGHBRIDGE
SCALE 100



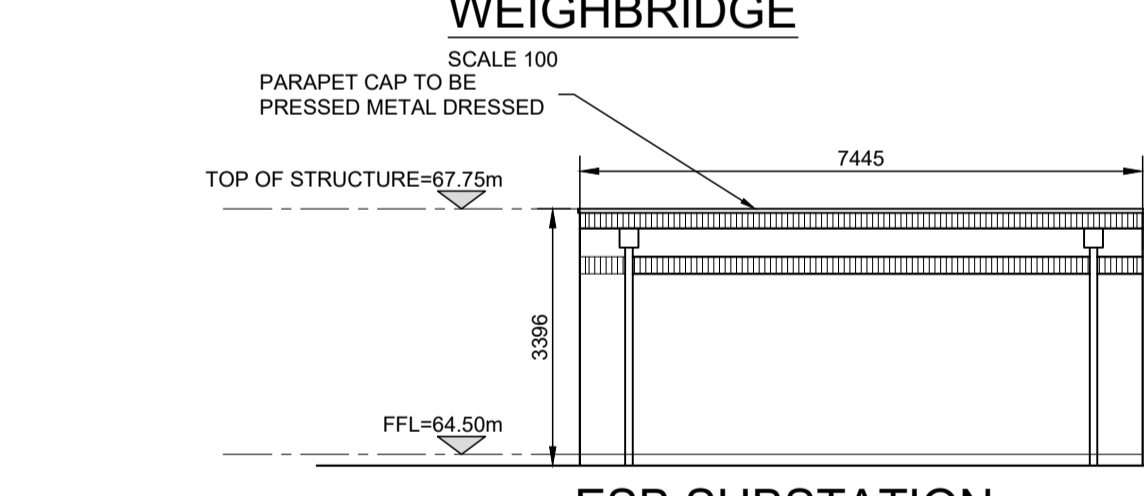
WEIGHBRIDGE
SCALE 100



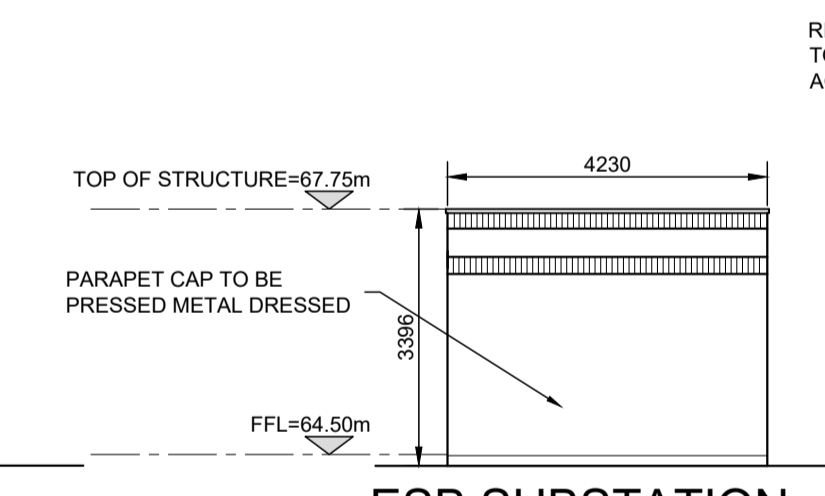
WEIGHBRIDGE
SCALE 100



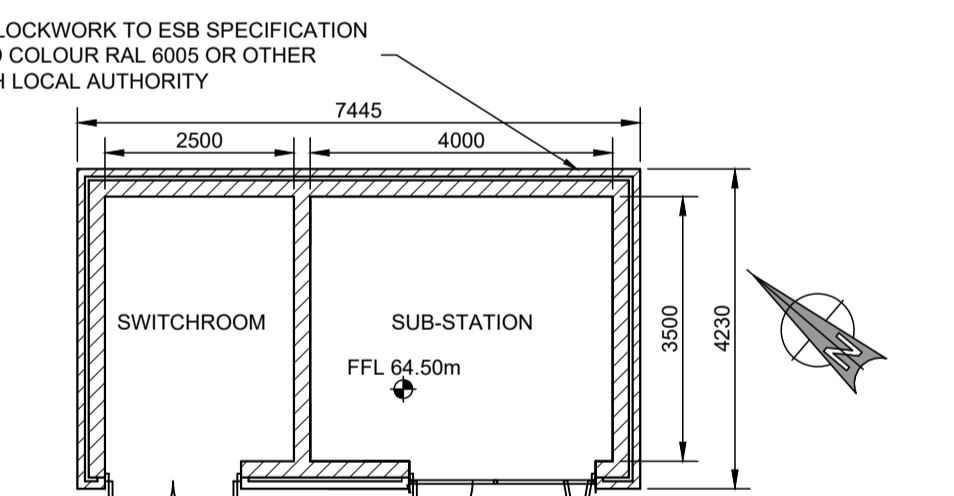
02- ESB SUBSTATION ROOF PLAN
SCALE 1:100



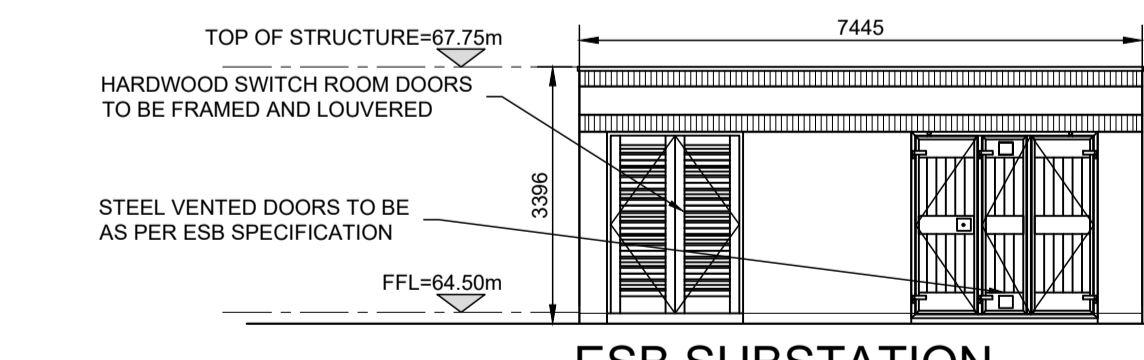
ESB SUBSTATION NORTHEAST
SCALE 1:100



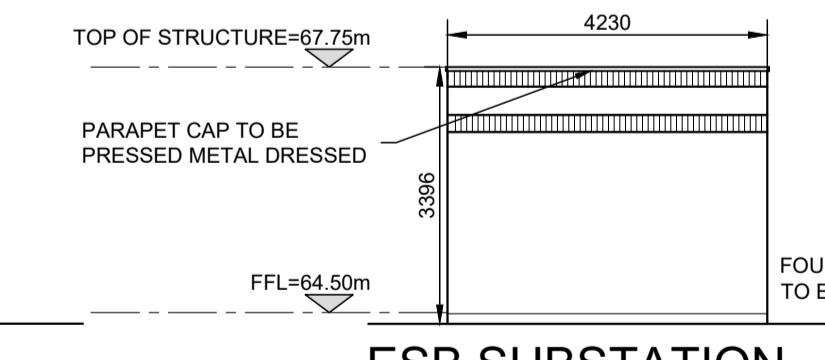
ESB SUBSTATION NORTHWEST
SCALE 1:100



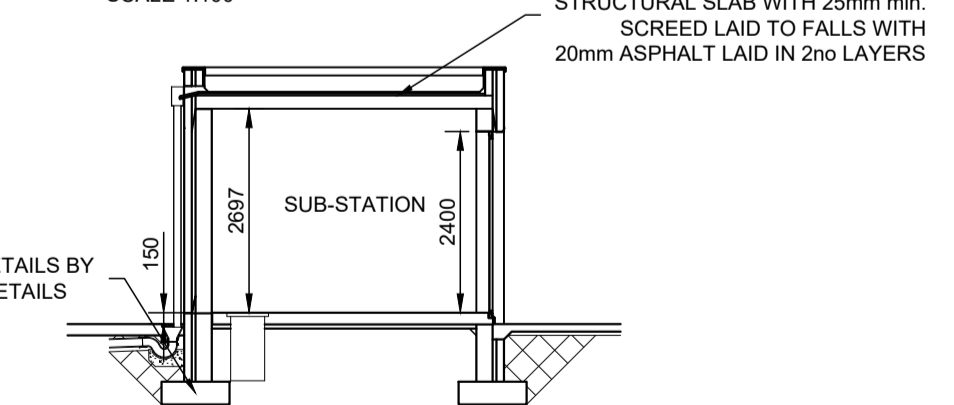
ESB SUBSTATION FLOOR PLAN
SCALE 1:100



ESB SUBSTATION SOUTHWEST
SCALE 1:100



ESB SUBSTATION SOUTHEAST
SCALE 1:100



ESB SUBSTATION TYPICAL SECTION
SCALE 1:100

INFORMATION

© ORS
This drawing and any design hereon is the copyright of the Consultants and must not be reproduced without their written consent. All drawings remain the property of the Consultants.
Figured dimension only to be taken from this drawing. All dimensions to be checked on site. Consultants to be informed immediately of any discrepancies before work proceeds.

REV NO.	DATE	REVISION NOTE	DWN BY:	CKD BY:
P01	10/05/2023	ISSUED FOR COMMENT	CB	CB
P02	12/06/2023	SITE LAYOUT UPDATED	CB	CB
P03	12/07/2023	BUILDING AND SITE LAYOUT UPDATED	CB	CB
P04	28/08/2023	BUILDING LAYOUT UPDATED	CB	CB
P05	02/10/2023	ISSUED FOR COMMENT	CB	CB
P06	01/12/2023	ISSUED FOR PLANNING	CB	CB

CLIENT:	STARRUS ECO HOLDINGS LIMITED (SEHL)		
PROJECT:	BALLYMOUNT ROAD UPPER, DUBLIN 24		
TITLE:	PROPOSED ELEVATIONS, ACOUSTIC BARRIER, WEIGHBRIDGE & SUBSTATION		
DRAWN:	CHECKED:	APPROVED:	JOB NO:
CB	CB	OD	221244
DATE:	SCALE:	DRAWING NO:	REV:
01/12/2023	1:200	221244-ORS-Z1-ZZ-DR-AR-206	P06

ORS
Mullingar | Dublin | Galway | Donegal
T: +353 1 5242060 | W: www.ors.ie | E: info@ors.ie
ISO 9001:2015 QUALITY ASSURED COMPANY