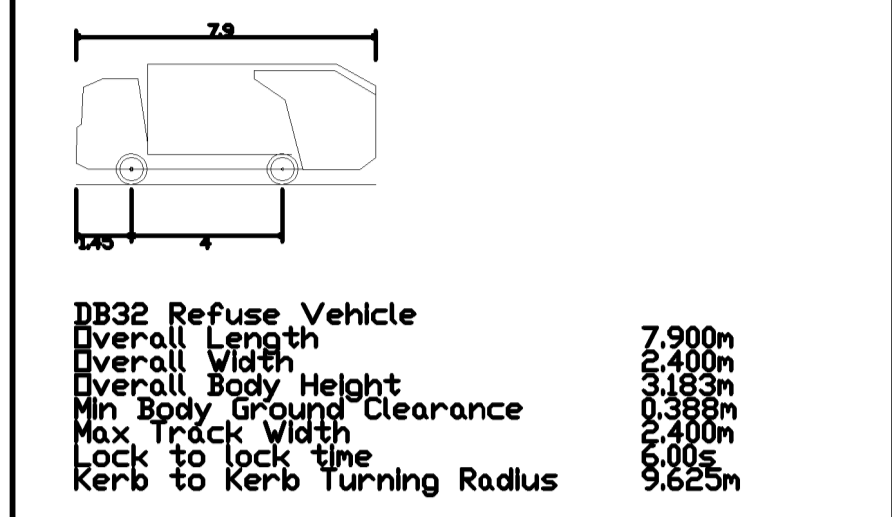




NOTES

1. THIS DRAWING IS TO BE READ IN CONJUNCTION WITH ALL ENGINEERS & ARCHITECTS DRAWINGS FIGURED DIMENSIONS ONLY (NOT SCALING) TO BE USED. WHERE A CONFLICT OF INFORMATION EXISTS OR IF IN ANY DOUBT - 'ASK'.
2. CONSULTANTS TO BE INFORMED IMMEDIATELY OF ANY DISCREPANCIES BEFORE WORK PROCEEDS.

VEHICLE PROFILE



SWEPT PATH ANALYSIS - REFUSE VEHICLE

SCALE @ A1: 1:500
SCALE @ A3: 1:1000

PL5	20.09.21	ISSUED FOR PLANNING	WK	PS
ISSUE	DATE	DESCRIPTION	DRN	P.E.
			ORIG	P.D.

DRAWING STAGE **PLANNING**

BM Dublin Office: Sandwith House, 52-54 Lower Sandwith Street, Dublin 2, Ireland. Tel: (01) 677 3200 Fax: (01) 677 3164

London Office: 12 Mill Street, London SE1 2AY, United Kingdom. Tel: (0044) 20 3750 3530

Consulting Engineers, Civ. Structural, Project Management. E-mail: bmce@bmce.ie Web: www.bmce.ie

BAIRRETT MAHONY The Institution of Structural Engineers **ACEI** International Federation of Consulting Engineers

CLIENT **HOMELAND SILVERPINES LTD.**

PROJECT TITLE SHD AT ST. JOSEPH'S HOUSE AND ADJOINING PROPERTIES	BM PROJECT No. 19.236
MODEL REFERENCE	MODEL REV. SUITABILITY

DRAWING TITLE **SWEPT PATH ANALYSIS - REFUSE VEHICLE**

DRAWING No. BPR-BMD-00-00-DR-C-1051	ISSUE PL5
---	---------------------