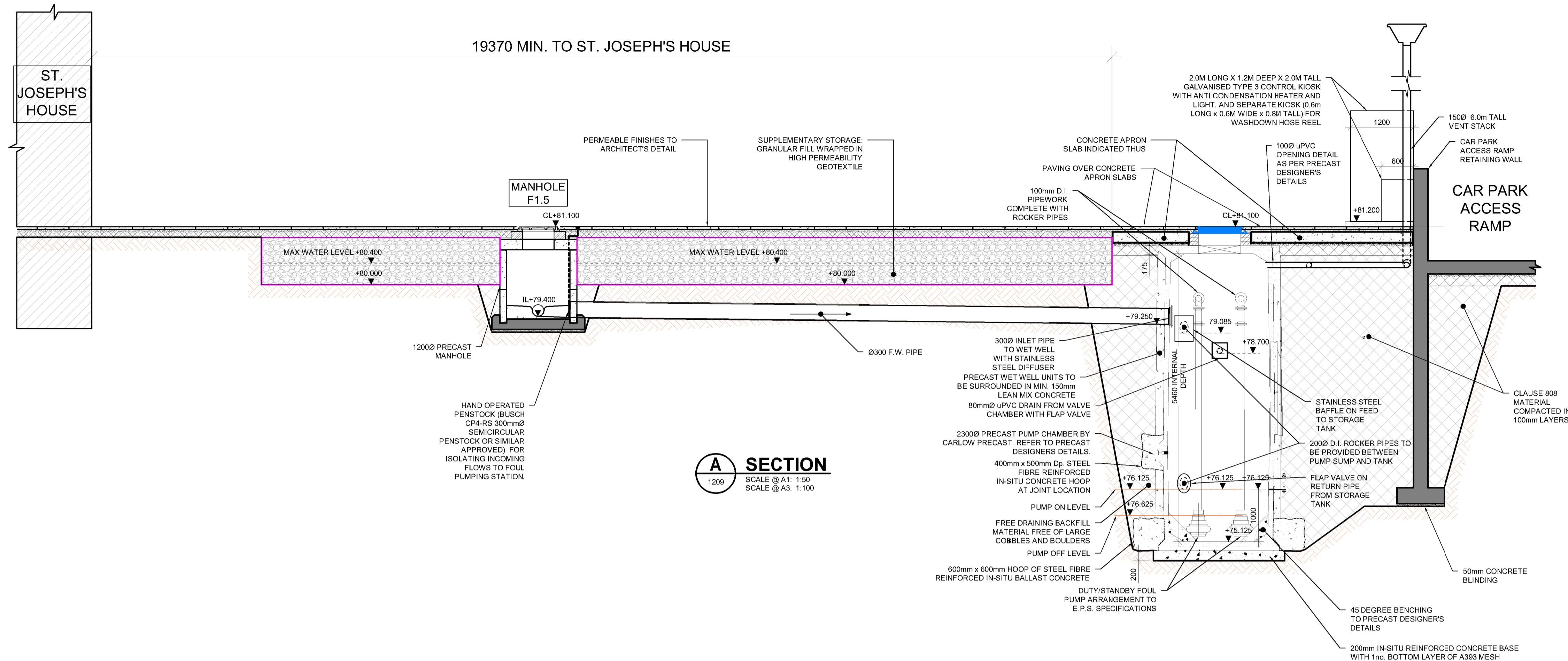
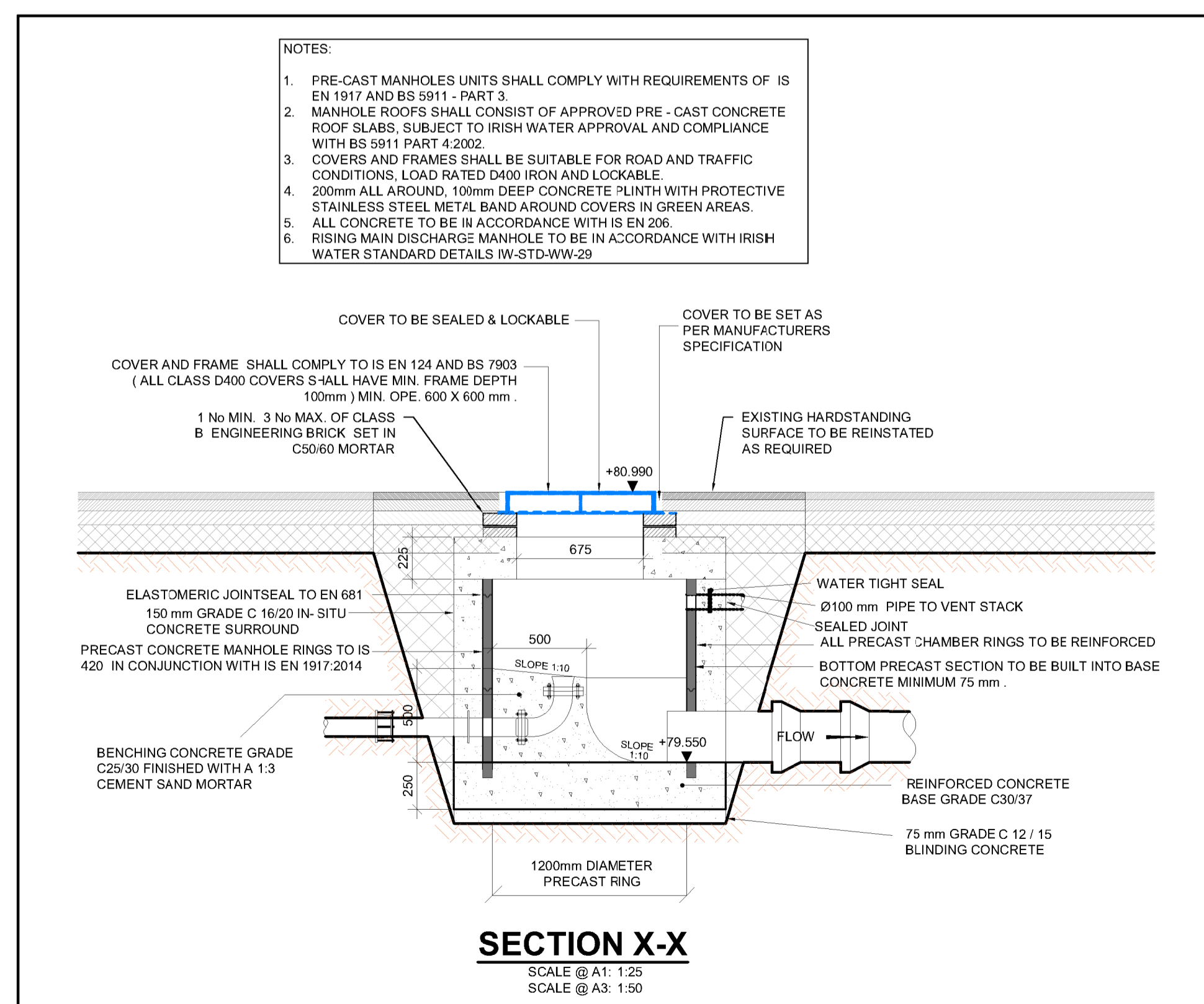


**NOTES**

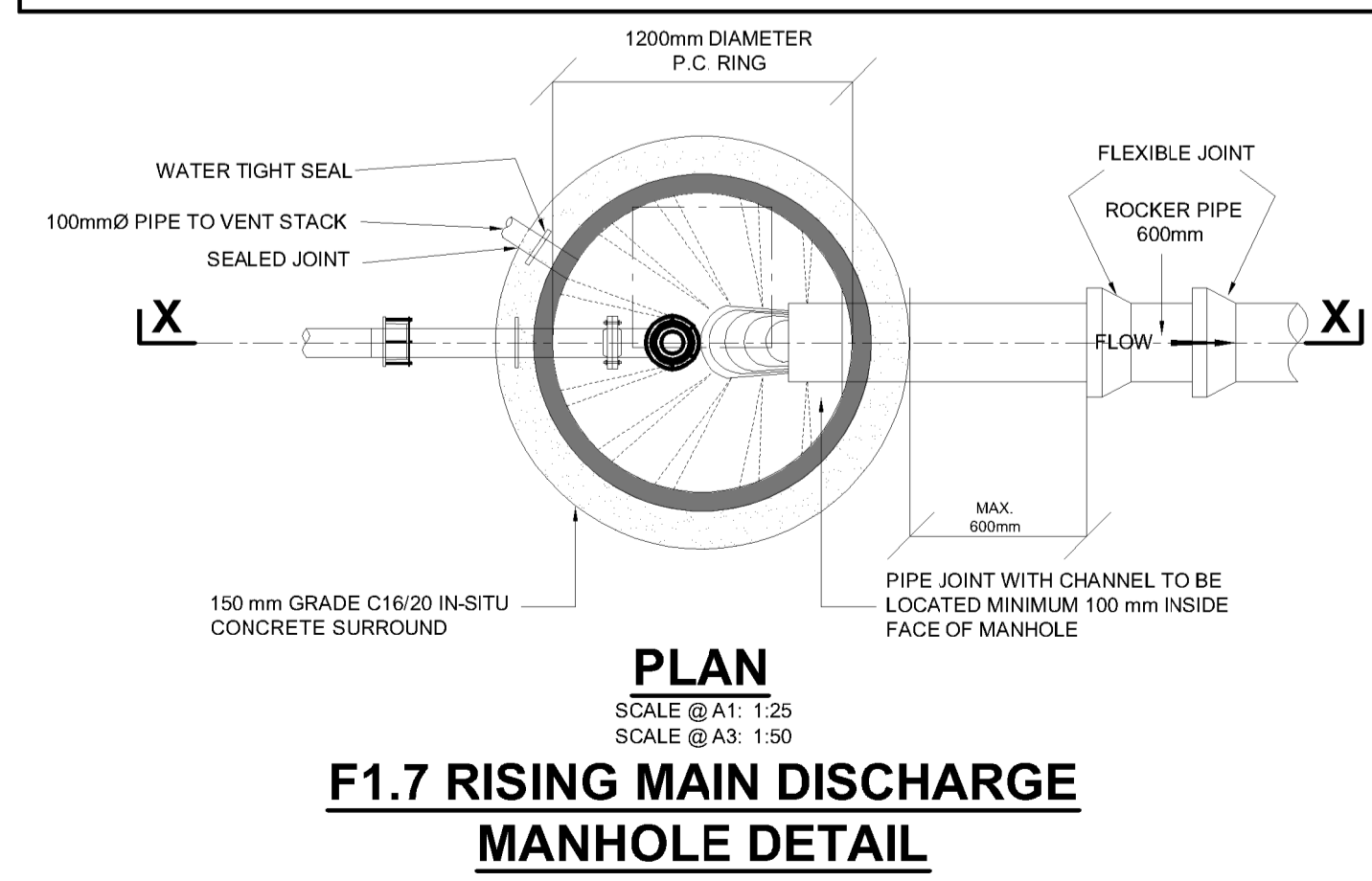
- THIS DRAWING IS TO BE READ IN CONJUNCTION WITH ALL ENGINEERS & ARCHITECT'S DRAWINGS FIGURED DIMENSIONS ONLY (NOT SCALING) TO BE USED. WHERE A CONFLICT OF INFORMATION EXISTS OR IF IN ANY DOUBT - 'ASK'.
- CONSULTANTS TO BE INFORMED IMMEDIATELY OF ANY DISCREPANCIES BEFORE WORK PROCEEDS.



**A SECTION**  
SCALE @ A1: 1:50  
SCALE @ A3: 1:100



**SECTION X-X**  
SCALE @ A1: 1:25  
SCALE @ A3: 1:50



**PLAN**  
SCALE @ A1: 1:25  
SCALE @ A3: 1:50  
**F1.7 RISING MAIN DISCHARGE MANHOLE DETAIL**

- NOTES:**
- FOUL PUMPING STATION TO BE CONSTRUCTED IN ACCORDANCE WITH IRISH WATER DETAILS & CODE OF PRACTISE.
  - ALL KIOSKS AND COVERS TO BE LPS 1175 SR3 SECURITY RATED.
  - C250 RATED 14x8 SAFETY LIFT ASSIST ACCESS COVERS (LPS 1175 SR3 SECURITY RATED) COMPLETE WITH FALL ARREST CAGES TO BE PROVIDED ON WET WELL AND VALVE CHAMBER. ALL OTHER LIDS TO BE CAST IRON D400 RATED WITH CLEAR OPENING OF 700mm x 700mm.
  - PRECAST ELEMENTS BE SURROUNDED IN CONCRETE AS SHOWN.
  - 45 DEGREE BENCHING TO BE PROVIDED IN WET WELL TOWARDS PUMPS.
  - DN225 OVERFLOW AND RETURN PIPE TO BE INSTALLED WITH ROCKER PIPES FITTED.
  - STAINLESS STEEL DIFFUSER TO BE PROVIDED ON MAIN GRAVITY INLET TO WET WELL SUMP.
  - HAND OPERATED PENSTOCK INLET VALVE TO BE PROVIDED IN FINAL FOUL MANHOLE (F1.10) UPSTREAM OF WET WELL.
  - MIN. 500mm STRAIGHT PIPE REQUIRED PRIOR AND POST F.M. BEFORE ANY VALVES. ISOLATION VALVE TO BE PROVIDED AFTER FM PRIOR TO RISING MAIN.
  - PUBLIC STREET LIGHTING FOR THE DEVELOPMENT SHALL PROVIDE MIN. 100 LUX AT GROUND LEVEL OF PUMPING STATION.
  - RISING MAIN TO BE CONSTRUCTED IN ACCORDANCE WITH IRISH WATER'S STANDARD DETAILS AND CODE OF PRACTICE FOR WASTEWATER INFRASTRUCTURE.
  - RISING MAIN DISCHARGE MANHOLE TO BE CONSTRUCTED IN ACCORDANCE WITH IRISH WATER DRAWING STD-WW-29

- NOTES:**
- PRE-CAST MANHOLES UNITS SHALL COMPLY WITH REQUIREMENTS OF IS EN 1917 AND BS 5911 - PART 3.
  - MANHOLE ROOFS SHALL CONSIST OF APPROVED PRE-CAST CONCRETE ROOF SLABS, SUBJECT TO IRISH WATER APPROVAL AND COMPLIANCE WITH BS 5911 PART 4:2002.
  - COVERS AND FRAMES SHALL BE SUITABLE FOR ROAD AND TRAFFIC CONDITIONS, LOAD RATED D400 IRON AND LOCKABLE.
  - 200mm ALL AROUND, 100mm DEEP CONCRETE PLINTH WITH PROTECTIVE STAINLESS STEEL METAL BAND AROUND COVERS IN GREEN AREAS.
  - ALL CONCRETE TO BE IN ACCORDANCE WITH IS EN 206.
  - RISING MAIN DISCHARGE MANHOLE TO BE IN ACCORDANCE WITH IRISH WATER STANDARD DETAILS IW-STD-WW-29

PL5	20.09.21	ISSUED FOR PLANNING	WK	JPC
ISSUE	DATE	DESCRIPTION	DRN	P.E.
DRAWING STAGE		<b>PLANNING</b>		
<b>BM</b>		Dublin Office: Sandwith House, 52-54 Lower Sandwith Street, Dublin 2, Ireland. Tel: (01) 677 3200 Fax: (01) 677 3164 London Office: 12 Mill Street, London SE1 2AY, United Kingdom. Tel: (02044) 084 5413 2722		
Consulting Engineers, Civ. Structural - Project Management E-mail: bmc@bmc.ie Web: www.bmc.ie		The Institution of Structural Engineers ACEI		
CLIENT: <b>HOMELAND SILVERPINES LTD.</b>				
PROJECT TITLE: <b>SHD AT ST. JOSEPH'S HOUSE AND ADJOINING PROPERTIES</b>		BM PROJECT No: <b>19.236</b>		
MODEL REFERENCE		MODEL REV. SUITABILITY		
DRAWING TITLE: <b>WASTEWATER PUMPING STATION DETAILS SHEET 1 OF 2</b>				
DRAWING No. <b>BPR-BMD-00-ZZ-DR-C-1209A</b>				ISSUE <b>PL5</b>