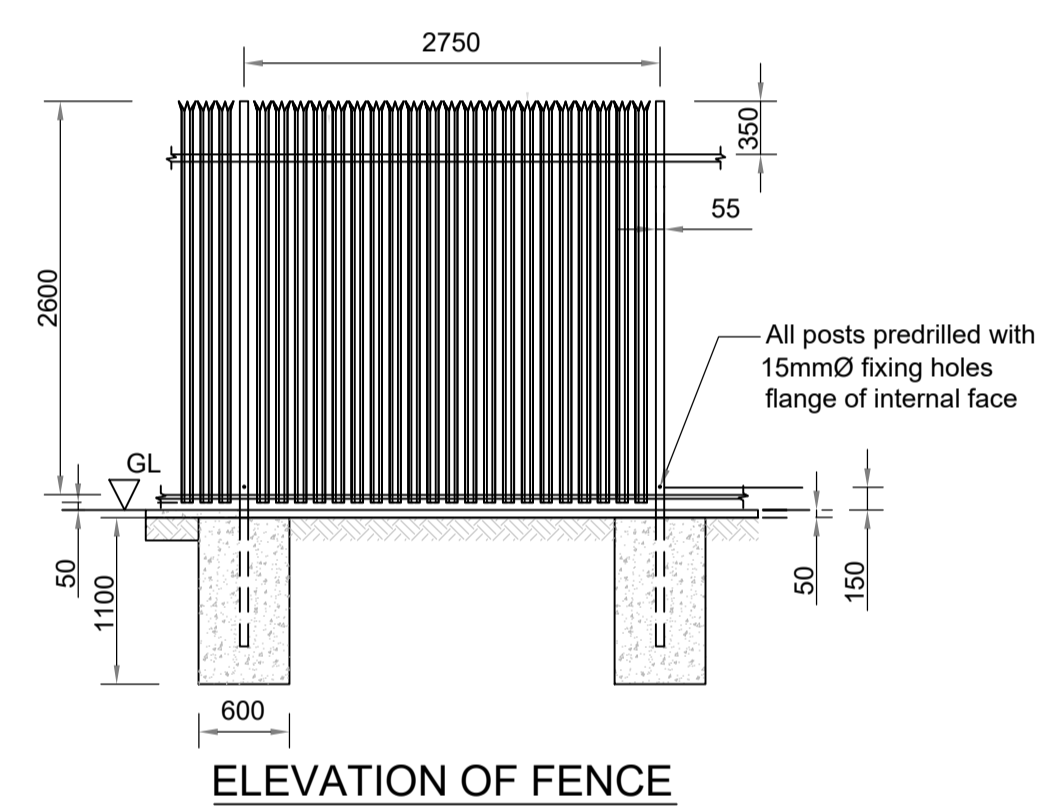
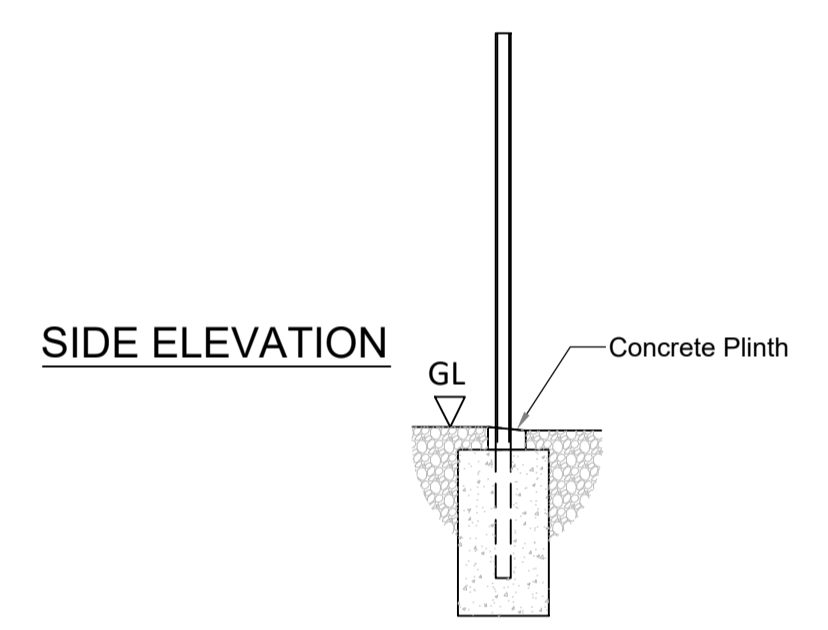


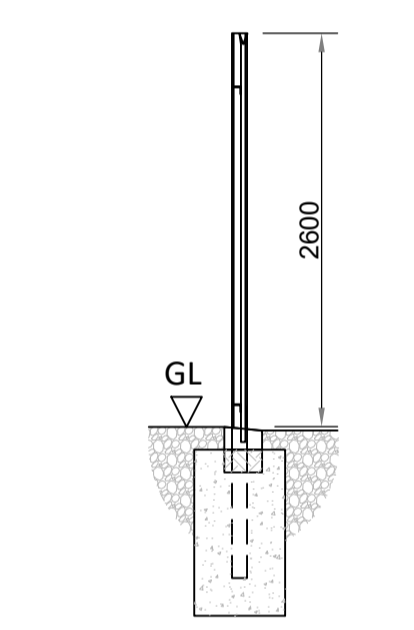
**SUBSTATION SITE - FENCING PLAN**  
Scale 1:500



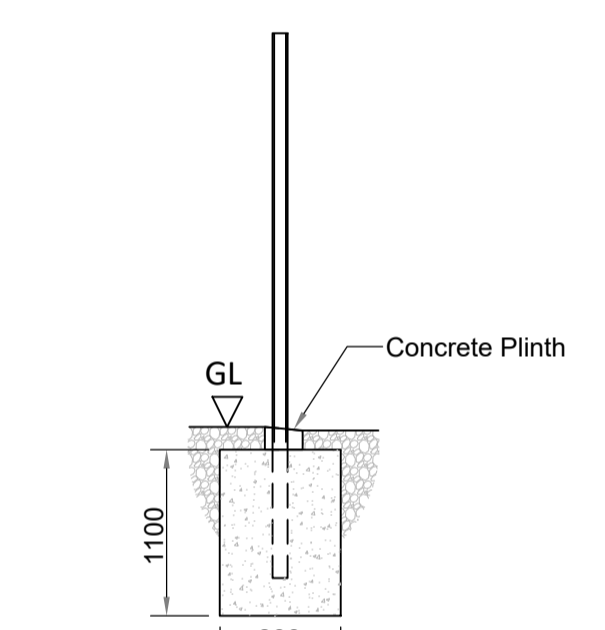
**ELEVATION OF FENCE**



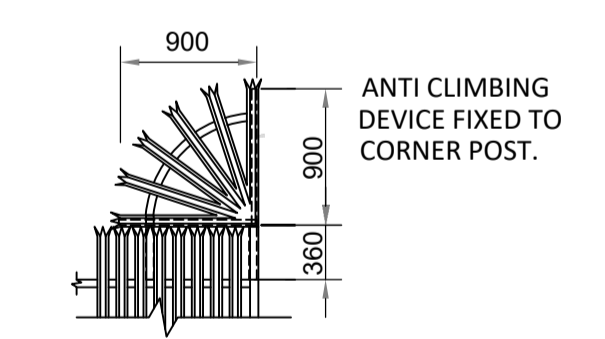
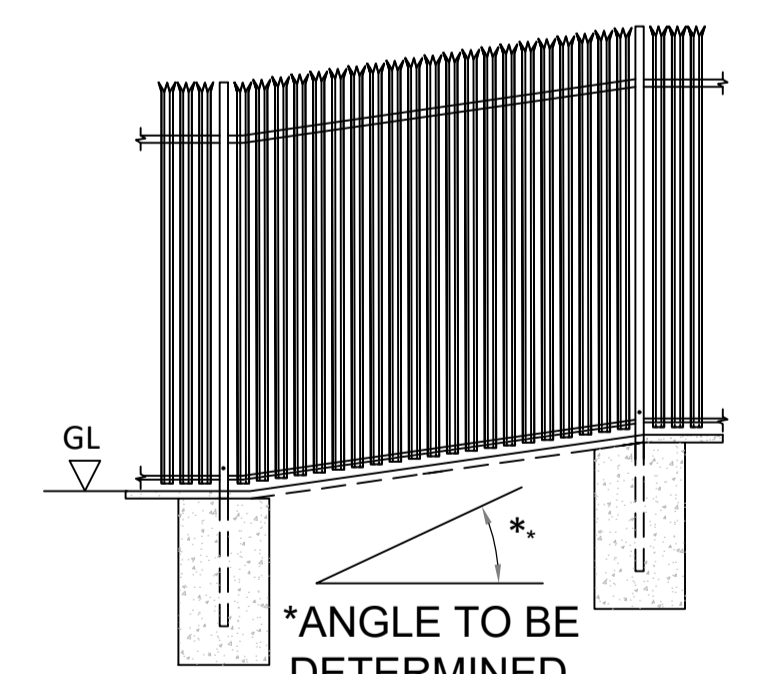
**SIDE ELEVATION OF POST**



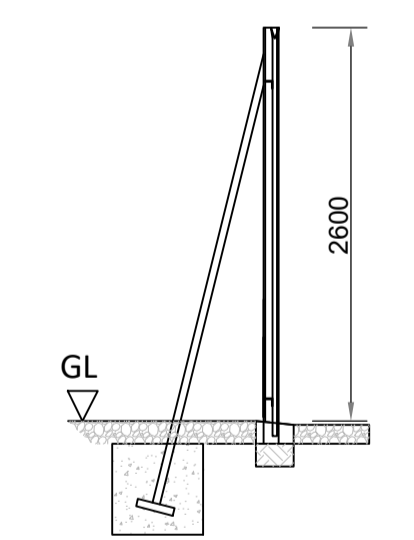
**PALES & PLINTHS DETAILS**



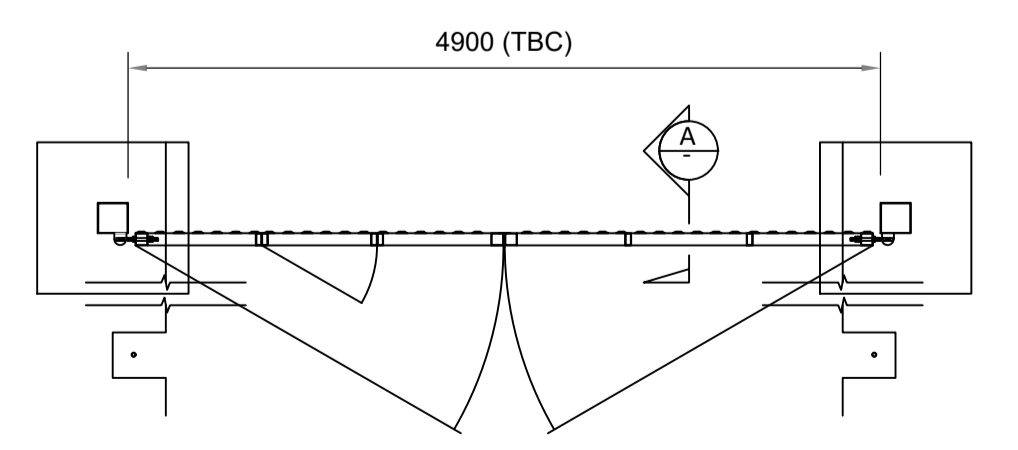
**FOUNDATION TO CORNER POST**



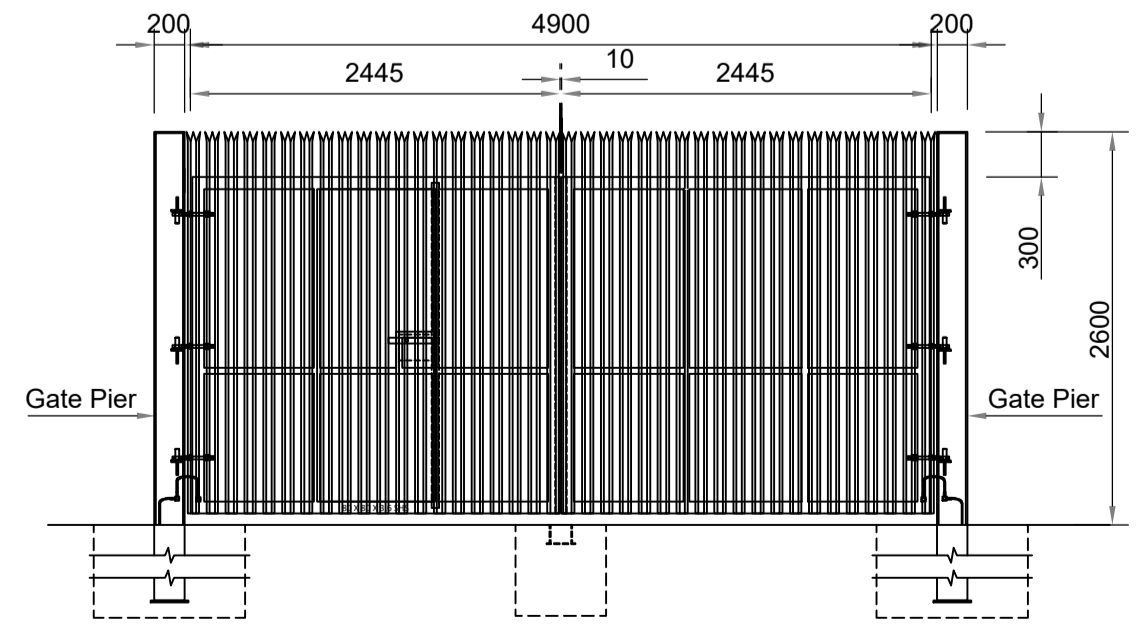
**DETAIL OF ANTI-CLIMBING AID**



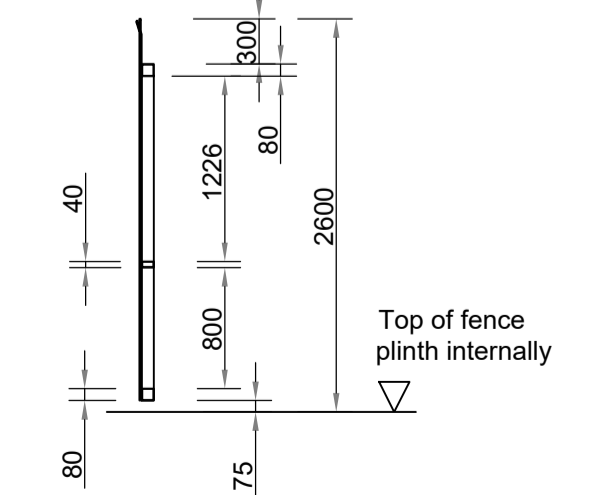
**DETAILS OF STRUTS TO FENCING**



**GATE PLAN**

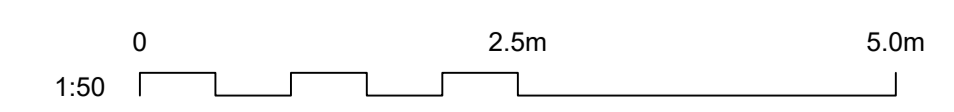


**ELEVATION TO INSIDE OF GATES**



**SECTION A-A**

**GATES, FENCING & SECURITY DETAILS**  
Scale 1:50



**Notes**

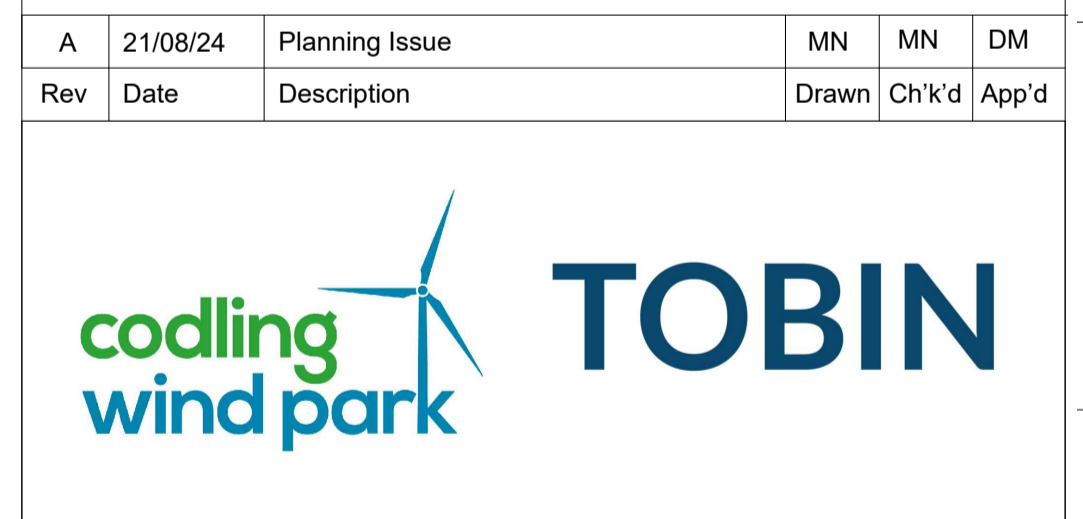
1. For planning purposes only – not for construction.
2. All dimensions are in millimetres.

**Key to Symbols**

**Safety, Health and Environmental Information**

**References**

Rev	Date	Description	Drawn	Ch'k'd	App'd
A	21/08/24	Planning Issue	MN	MN	DM



**Client**

**CODLING WIND PARK**

**Title**

**ONSHORE SUBSTATION GATES, FENCING AND SECURITY DETAILS**

Scale at A1	Status	Rev	Security
As Shown	Planning	A	STD

TOBIN Drawing Number  
**CWP-TOB-CON-08-02-DWG-0047**

© TOBIN  
This document is issued for the party which commissioned it and for specific purposes connected with the captioned project only. It should not be relied upon by any other party or used for any other purpose.  
We accept no responsibility for the consequences of this document being relied upon by any other party, or being used for any other purpose, or containing any error or omission which is due to an error or omission in data supplied to us by other parties.