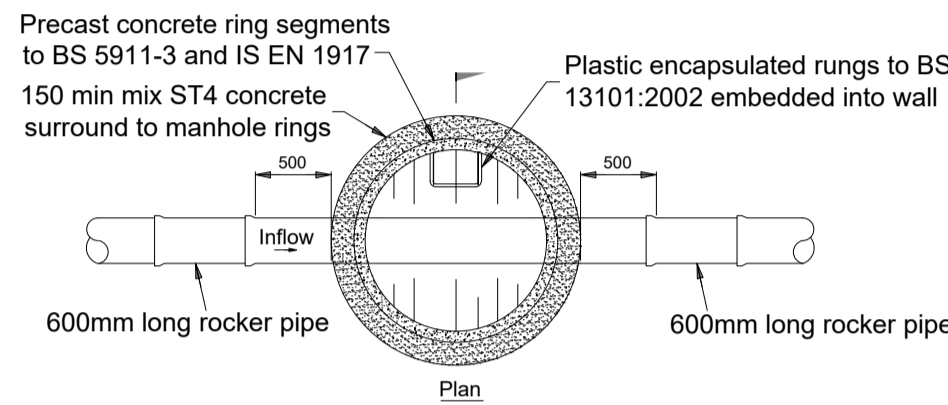
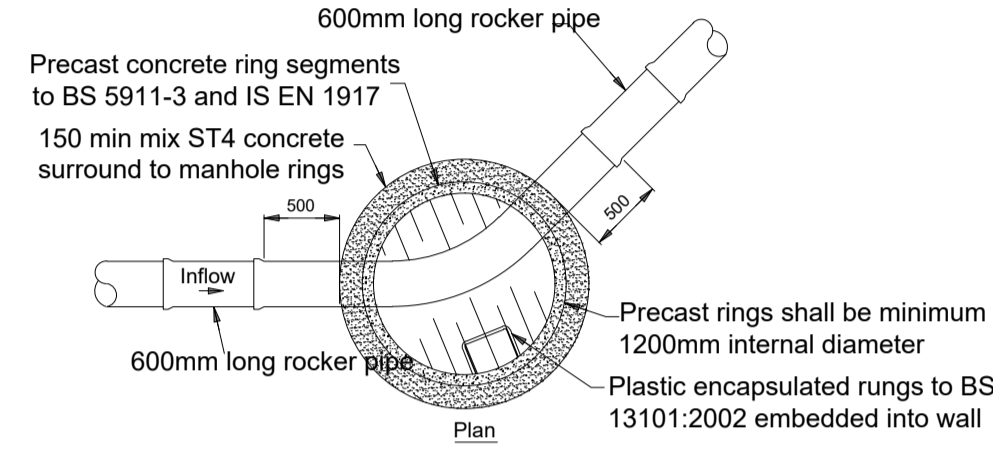


Precast concrete manhole 1.0m to 3.0m deep (Max 300mm pipe size)

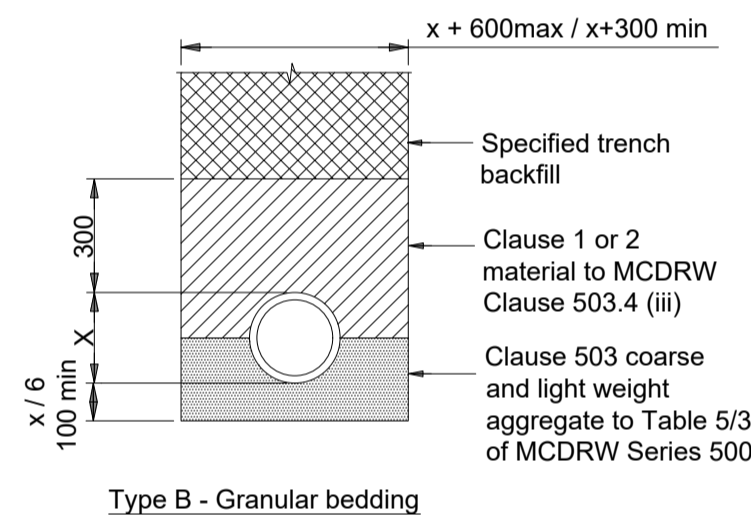


straight through precast concrete manhole (max. 300mm pipe size)

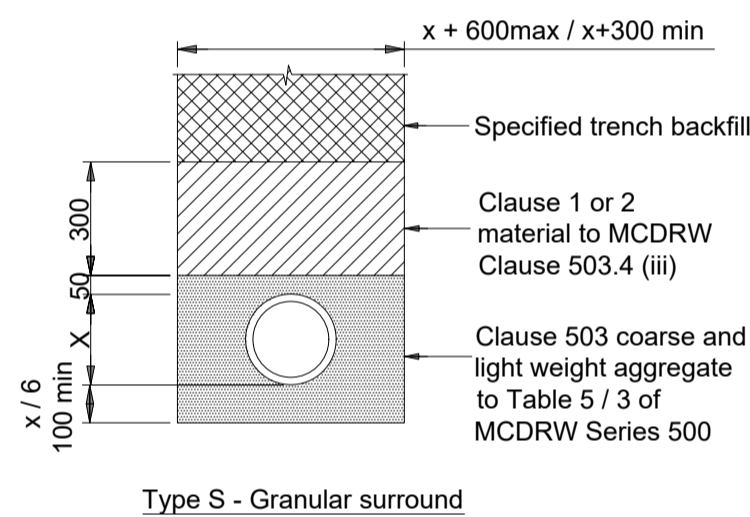


precast concrete manhole with internal bend

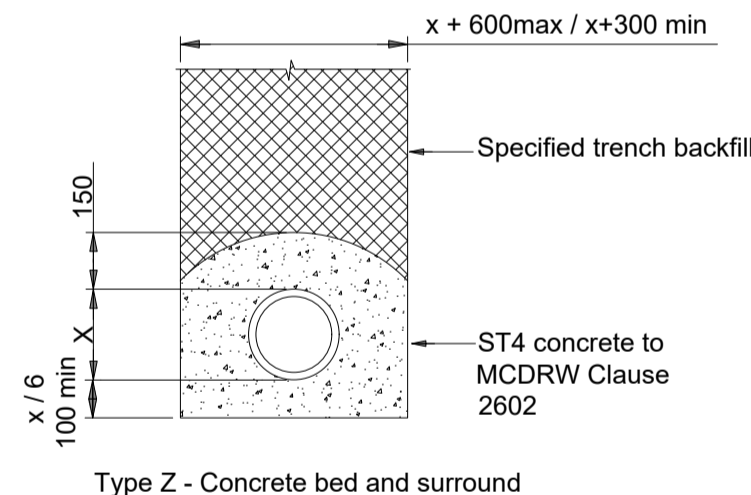
Manhole Details
Scale 1:50



Type B - Granular bedding



Type S - Granular surround

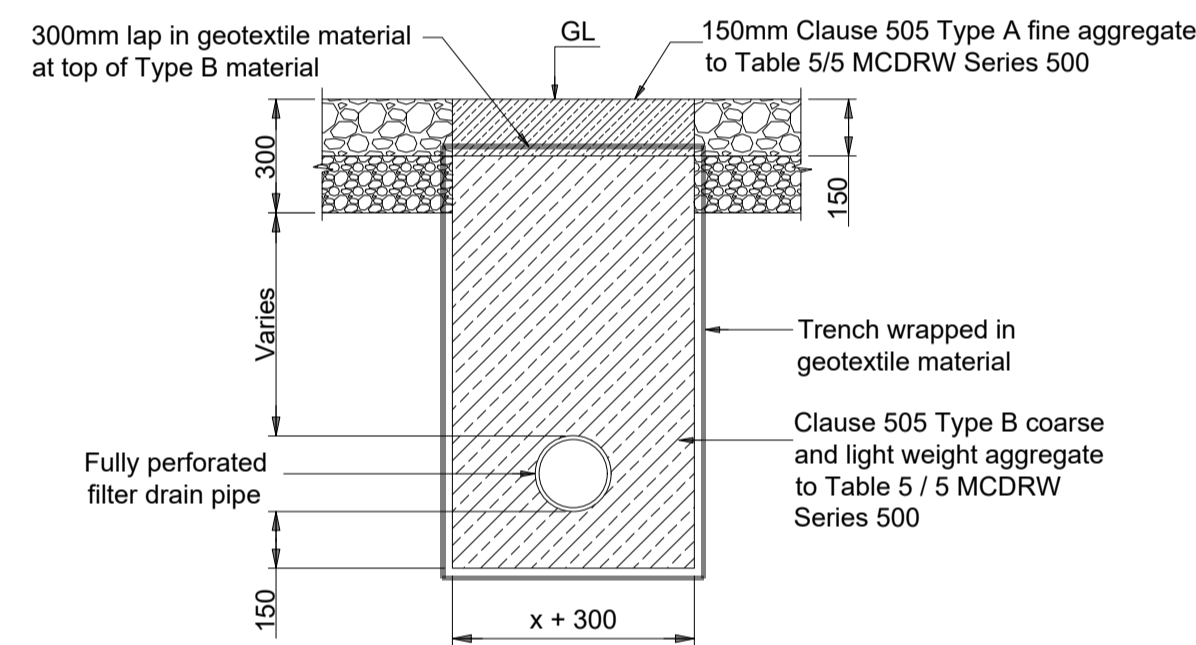


Type Z - Concrete bed and surround

Carrier Drain Trench and Bedding Details
Scale 1:20

Note:

1. Dimension X is the external diameter of the pipe.
2. The minimum and maximum width of trench applies on and below a line of 300mm above the crown of the pipe. Above the 300mm line the trench backfill material shall be as described in Clause 505.2 of MCDRW.
3. The concrete bed or surround may extend to the sides of the trench or be of minimum width. Material to Clause 503.4 (iii) shall be used to fill any voids so formed.
4. For Type Z trench the concrete cover may be formed to a radius batter or horizontal surface. Minimum cover of concrete shall be 150mm.

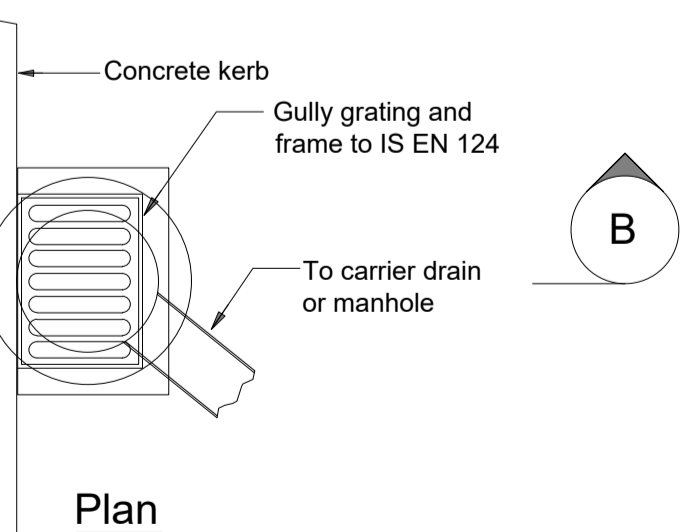


Note:

1. Dimension X is the external diameter of the pipe.
2. Minimum trench width is X + 300mm for drains not exceeding 1.5m cover below finished ground level. Use X + 450mm for drains exceeding 1.5m cover
3. Max pipe diameter shall be 450mm

filter drain trench and bedding detail
Scale 1:20

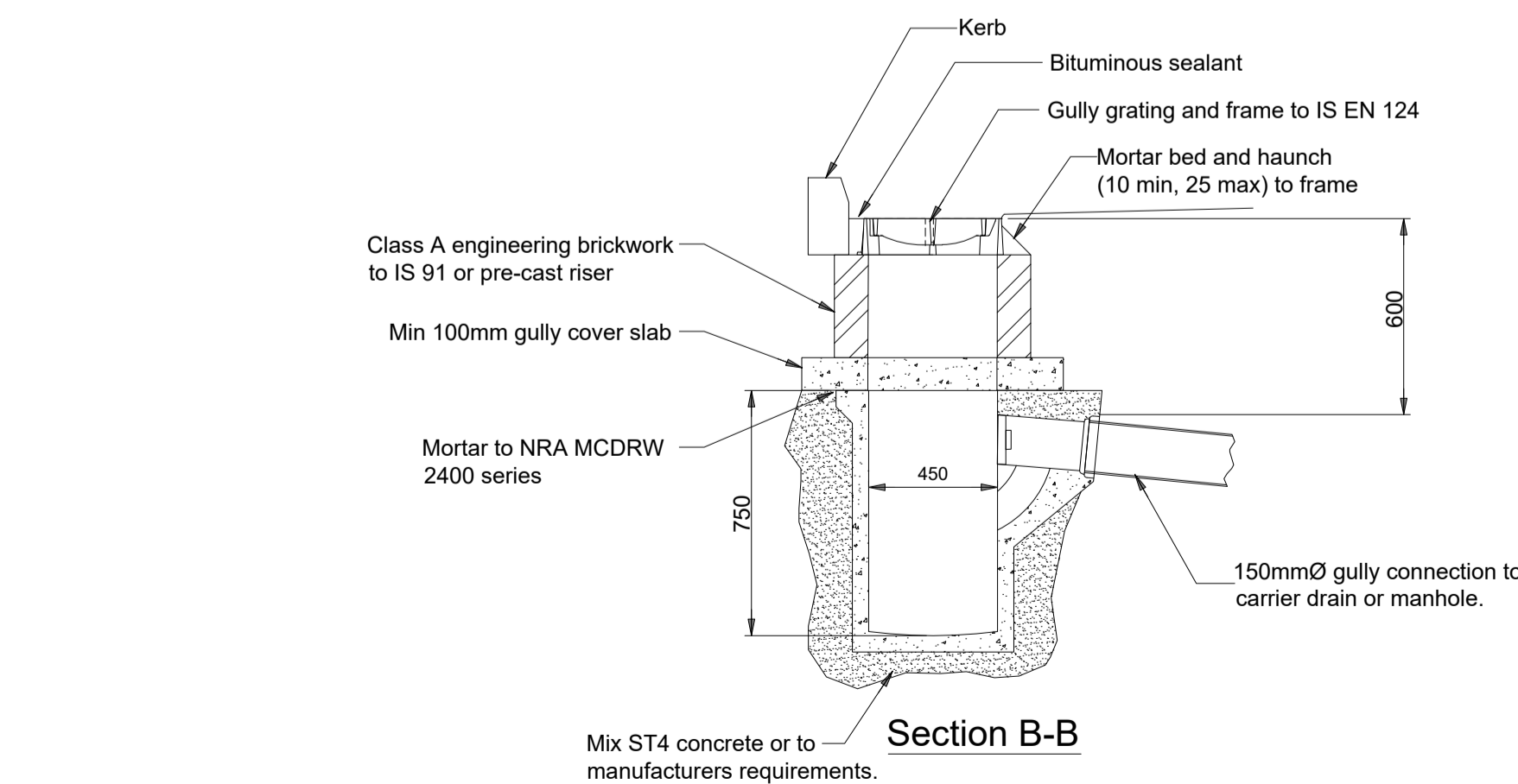
filter drain detail



Note:

1. Where a gully has a trap the stoppers shall comply with the requirements of BS.5911-4 and IS EN 1917
2. Precast gullies and cover slab to comply with the requirements of BS.5911-6 and IS EN 1917

precast road gully
Scale 1:20



Section B-B

Cover slabs and ductile iron cover and frames		
Location	Roadway	Pedestrian area only
Cover	Heavy duty	Medium duty
Cover slab BS 5911-3	Heavy duty	Heavy duty
D.I. cover and frame to IS EN 124	Class D-400	Class B-125
Operating load	Wheel loads up to 40.0 tonnes	Wheel loads up to 12.5 tonnes

Manhole access size as per table NA.22 BS EN 752		
Depth	< 1.5m cover to pipe soffit	> 1.5m cover to pipe soffit
Min clear opening	1200mm x 675mm	600mm diameter

Notes

1. For planning purposes only – not for construction.
2. All dimensions are in millimetres.
3. All levels are in metres above Malin Head datum.

Key to Symbols

Safety, Health and Environmental Information

References

A	21/08/24	Planning Issue	MN	MN	DM
Rev	Date	Description	Drawn	Ch'k'd	App'd



Client
CODLING WIND PARK

Title
ONSHORE SUBSTATION DRAINAGE DETAILS
Sheet 1 of 2

Scale at A1	Status	Rev	Security
As Shown	Planning	A	STD
TOBIN Drawing Number CWP-TOB-CON-08-02-DWG-0049			