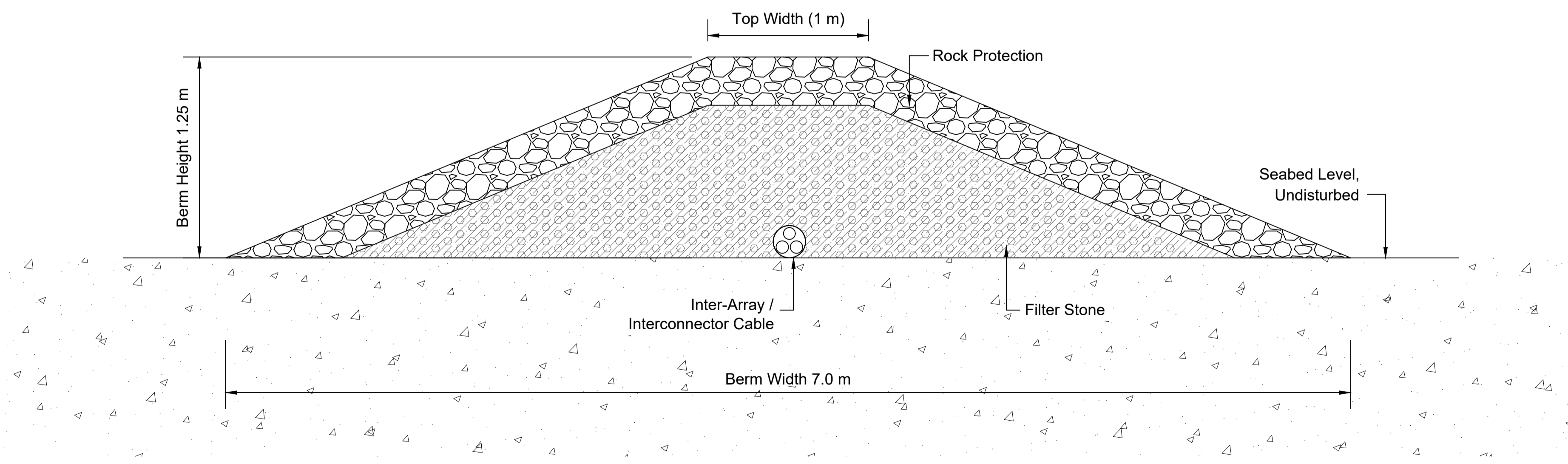


**Inter-Array and Interconnector Cable Installation**  
Scale 1:50



**Cable Protection**  
Scale 1:20

- Notes
1. For planning purposes only. Not for construction.
  2. All dimensions are in metres.
  3. Minimum depth of cover is 1 m below the seabed, measured from the seabed to the top of the submarine cable. Where target burial depth is not achieved, or where cable will be laid on the seabed, secondary protection systems may be placed.
  4. Secondary cable protection will be rock.
  5. Inter-Array and Interconnector cables are 66kV.
  6. The plan is compliant with An Bord Pleanála's s287B Opinion.
  7. Refer to plan CWP-TOB-CON-08-02-DWG-0008 and CWP-TOB-CON-08-02-DWG-0012 showing the preferred inter-array and interconnector cable alignments and associated limits of deviation.

Key to Symbols

Safety, Health and Environmental Information

References

Rev	Date	Description	Drawn	Ch'k'd	App'd
A	21/08/24	Planning Issue	MN	MN	DM



Client

**CODLING WIND PARK**

Title

**INTER-ARRAY AND  
INTERCONNECTOR CABLES  
BURIAL AND SECONDARY  
PROTECTION DETAILS**

Scale at A1	Status	Rev	Security
As Shown	Planning	A	STD

TOBIN Drawing Number  
**CWP-TOB-CON-08-02-DWG-0062**