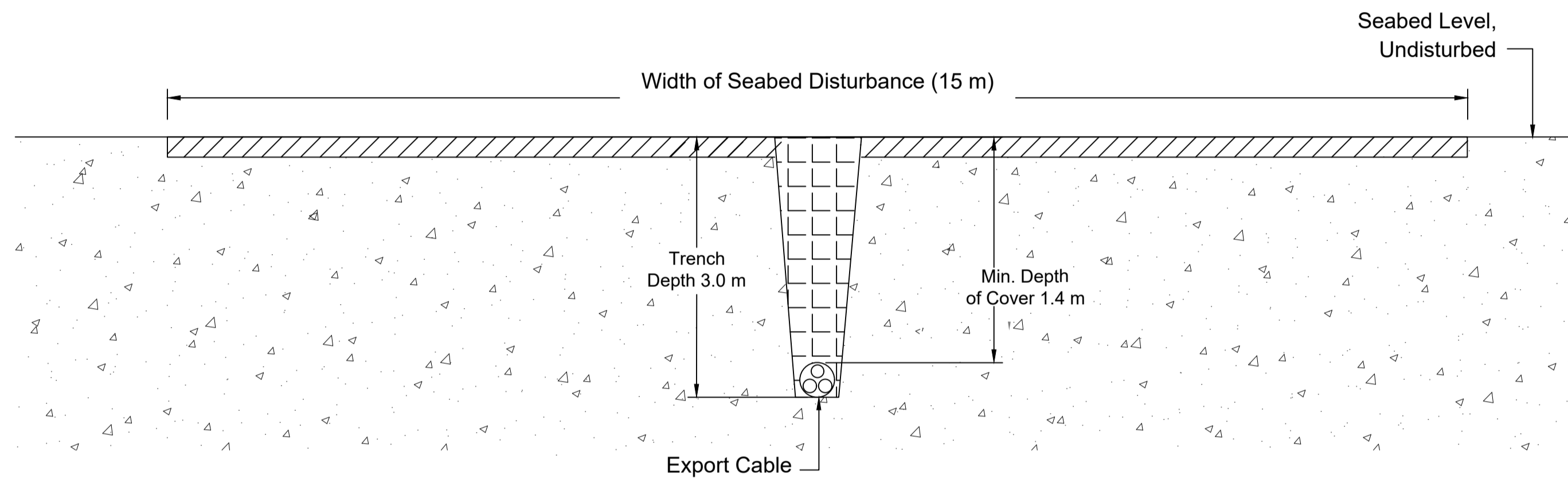
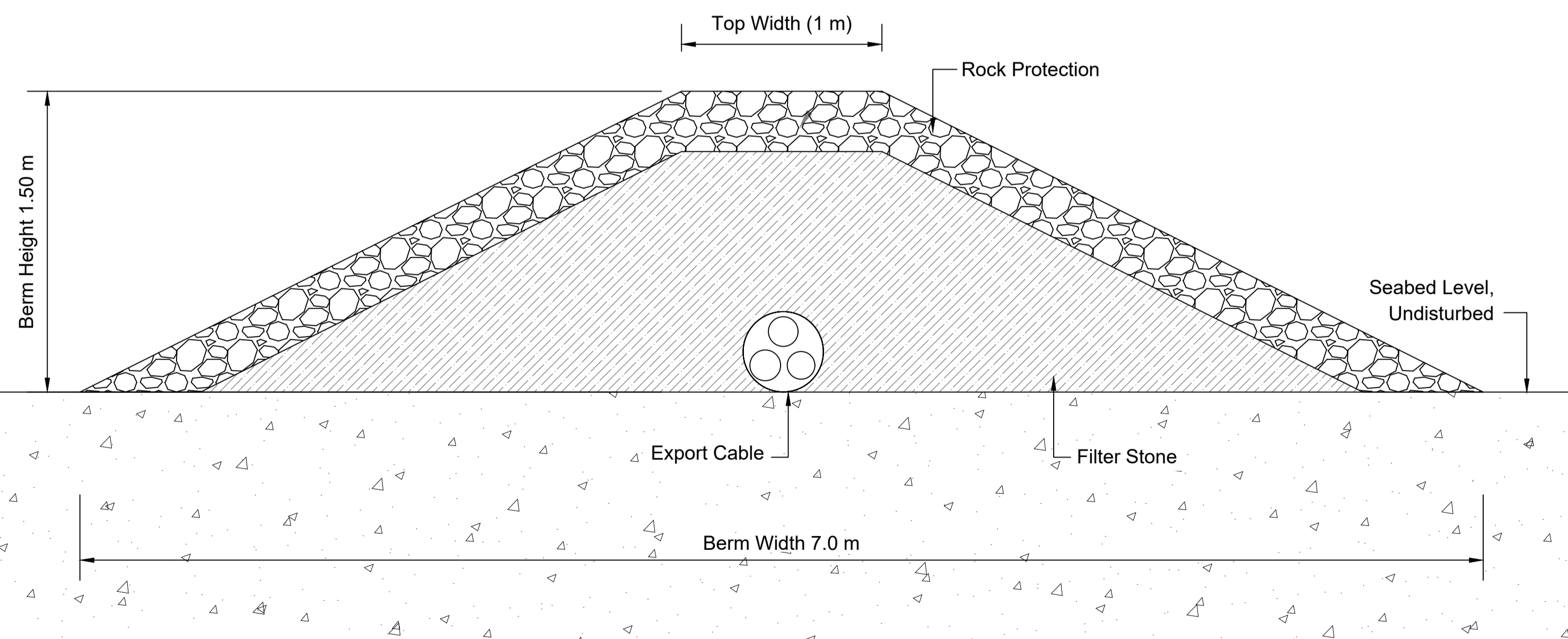


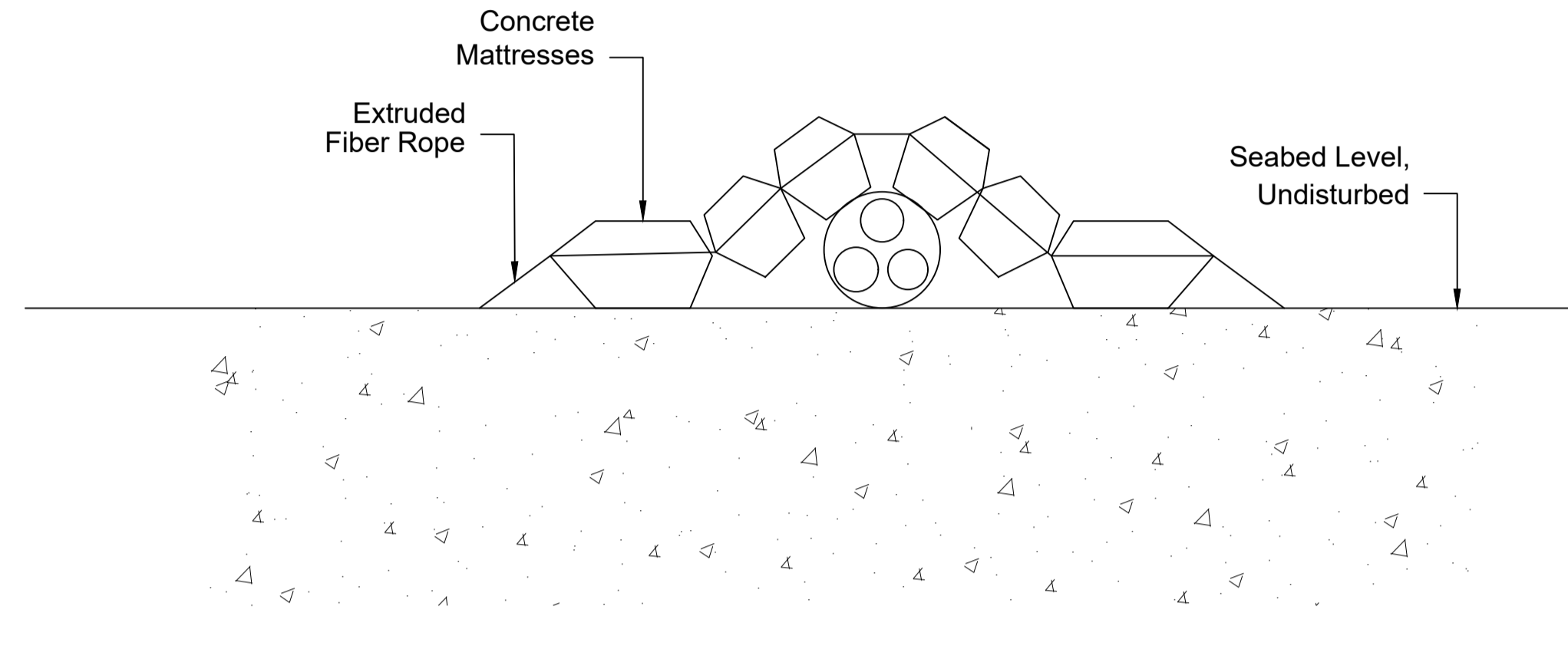
Export Cable Installation
Scale 1:50



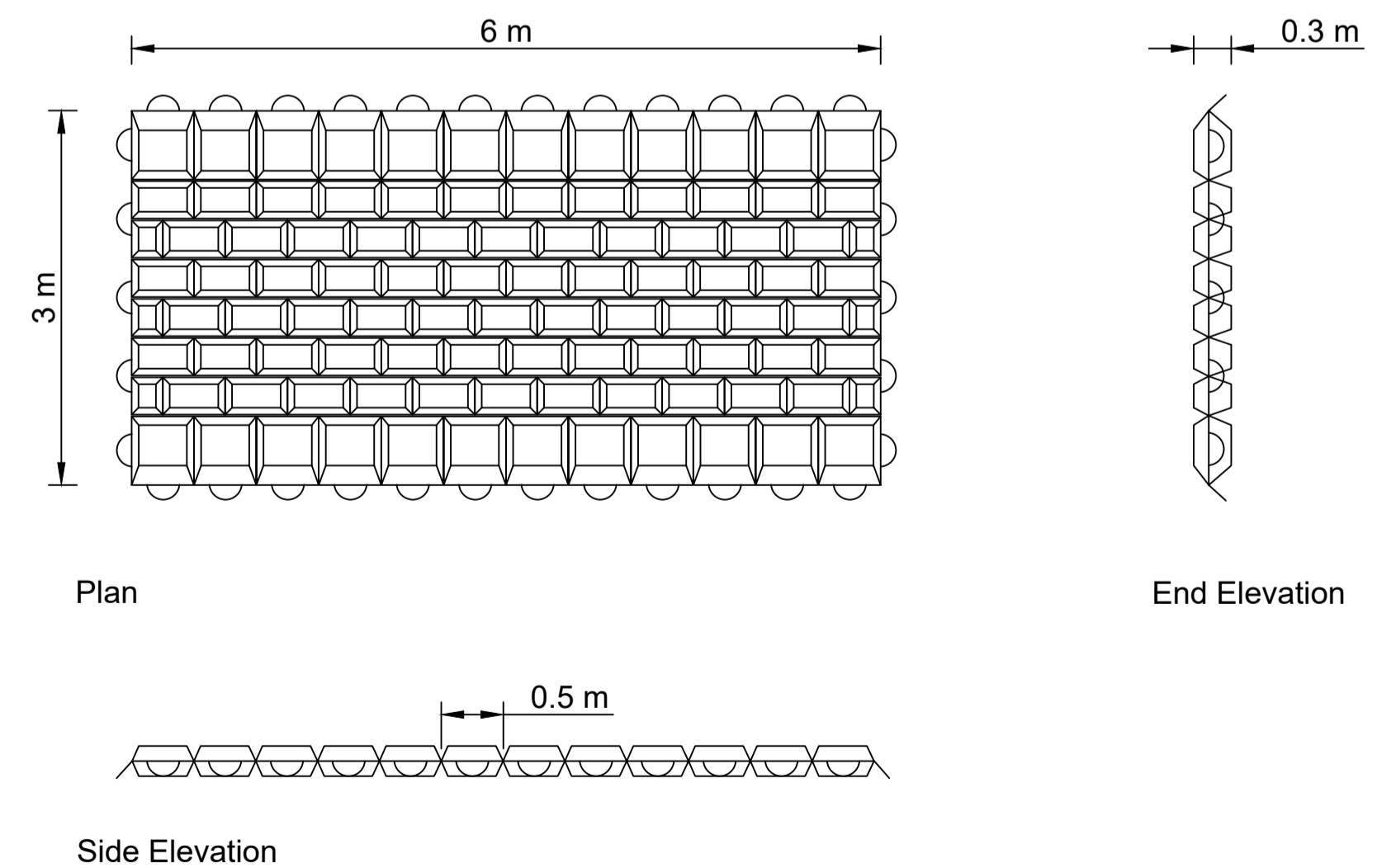
Export Cable Installation at Deeper Burial Area
Scale 1:50



Cable Protection
Scale 1:20



Concrete Mattress Arrangement on the Seabed
Scale 1:20



Concrete Mattress Design
Scale 1:50

- Notes
1. For planning purposes only. Not for construction.
 2. All dimensions are in metres.
 3. Minimum Depth of Cover is 1.4m below the seabed, measured from the seabed to the top of the submarine cable. Where target burial depth is not achieved, or where cable will be laid on the seabed, secondary protection systems may be placed.
 4. Secondary cable protection will be rock or concrete mattress.
 5. Offshore export cables are 220kV.
 6. The plan is compliant with An Bord Pleanála's s287B Opinion.
 7. Refer to plan CWP-TOB-CON-08-02-DWG-0008 - 0010 and CWP-TOB-CON-08-02-DWG-0012 - 0014 showing the preferred export cable alignments and associated limits of deviation.

Key to Symbols

Safety, Health and Environmental Information

References

Rev	Date	Description	Drawn	Ch'k'd	App'd
A	21/08/24	Planning Issue	MN	MN	DM



Client
CODLING WIND PARK

Title
EXPORT CABLE BURIAL AND PROTECTION DETAILS

Scale at A1	Status	Rev	Security
As Shown	Planning	A	STD

TOBIN Drawing Number
CWP-TOB-CON-08-02-DWG-0063