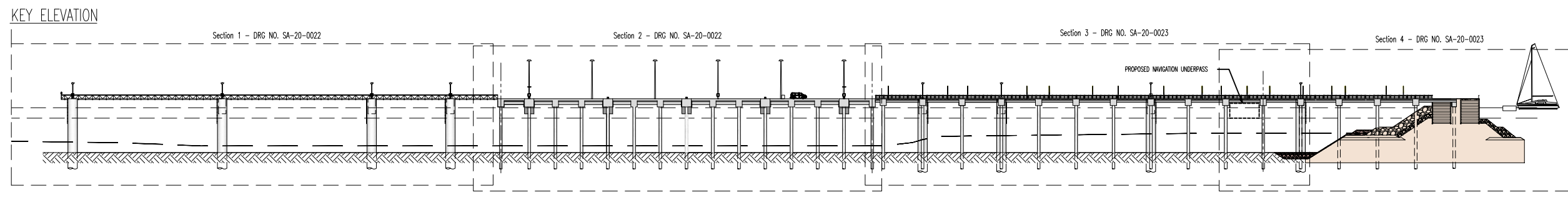
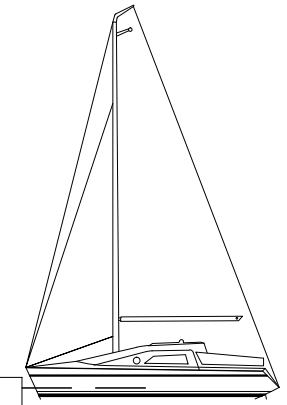
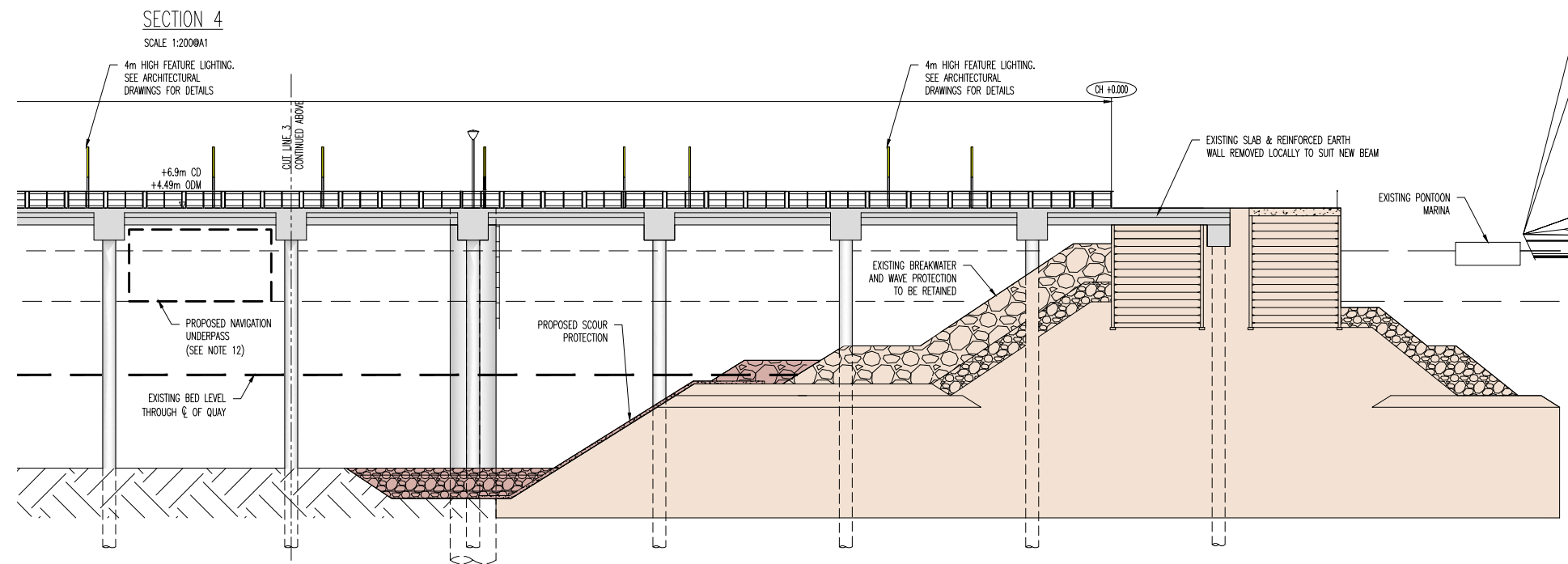


- NOTES:**
- DO NOT SCALE. USE FIGURED DIMENSIONS ONLY.
 - THIS DRAWINGS TO BE READ WITH CONJUNCTION WITH ALL OTHER RELEVANT ARCHITECTURAL AND ENGINEERING DRAWINGS.
 - PLANNING BOUNDARY UNDER THIS APPLICATION
 - DUN LAOGHAIRE HARBOUR COMPANY ESTATE BOUNDARY
 - DUN LAOGHAIRE HARBOUR LIMIT
 - ORDNANCE SURVEY IRELAND LICENCE NO. EN 0006015
© ORDNANCE SURVEY IRELAND/GOVERNMENT OF IRELAND.
DATUM: ORDNANCE DATUM MALIN (UNLESS NOTED OTHERWISE)
 - [**.**m CD] REFER TO LEVELS AT CHART DATUM (DUBLIN PORT)
 - ORDNANCE DATUM MALIN (ODM)
- CHART DATUM (CD)
(DUBLIN PORT) 2.21m
- H.A.T. HIGHEST ASTRONOMICAL TIDE
 - L.A.T. LOWEST ASTRONOMICAL TIDE
 - ODM ORDNANCE DATUM MALIN
 - MHWS MEAN HIGH WATER SPRINGS
 - MLWS MEAN LOW WATER SPRINGS
- BATHYMETRIC DATA PREPARED BY:
 - A) HYDROGRAPHIC SURVEYS LTD. CORK
 - B) GEOLOGICAL SURVEY IRELAND, DUBLIN
 - SEE DRG NO. CIV-14969-SA-90-1019a & 1019b FOR DREDGED CHANNEL SECTIONS.
 - THE EXISTING STENA INFRASTRUCTURE IS SHOWN ON THE PLANNING DRAWINGS AS BEING REMOVED WHEN THE CRUISE BERTH IS IN PLACE. FOLLOWING THE DEPARTURE OF STENA FROM DUN LAOGHAIRE HARBOUR IN RECENT MONTHS DISCUSSIONS HAVE COMMENCED BETWEEN THE HARBOUR COMPANY AND STENA TO HAVE THIS INFRASTRUCTURE REMOVED IN LINE WITH THE AGREEMENT IN PLACE. THAT PROCESS, INCLUDING ALL NECESSARY CONSENTS, IS BEING UNDERTAKEN INDEPENDENTLY OF THIS CRUISE BERTH PROPOSAL. AS A RESULT, THE PROPOSAL DRAWINGS AND THE EIS HAVE ASSUMED THAT THIS INFRASTRUCTURE WILL HAVE BEEN REMOVED BEFORE THE CRUISE BERTH IS OPERATIONAL.
 - PROPOSED NAVIGATION UNDERPASS.
A LOW CLEARANCE UNDERPASS IS INTENDED FOR LOW AIR DRAFT VESSELS AT THIS LOCATION TO ASSIST THE TRANSIT OF LAUNCHES ACROSS THE HARBOUR. LATERAL AND VERTICAL LOCAL MARKING ARRANGEMENTS SHALL GENERALLY BE IN ACCORDANCE WITH THE APPROPRIATE IALA GUIDELINE, ALL FOR PRIOR AGREEMENT WITH THE COMMISSIONERS OF IRISH LIGHTS AND HARBOUR MASTER PRIOR TO OPENING.



Ordnance Survey Ireland Licence No. EN 0006015
© Ordnance Survey Ireland/Government of Ireland.

REV.	DATE	AMENDMENT	DRN	APPD

CAD REF.

STATUS **PLANNING**

Waterman Moylan
Engineering Consultants

MARINE HOUSE, CLANWILLIAM PLACE, DUBLIN 2.
Tel: (01) 684 8900 Fax: (01) 681 3818
Email: info@waterman-moylan.ie www.waterman-moylan.ie

CLIENT **Dun Laoghaire Harbour Company**

PROJECT **DUN LAOGHAIRE HARBOUR NEW CRUISE BERTH FACILITY**

TITLE **WEST ELEVATION DRAWING 2 OF 2 PROPOSED**

DRAWN RSM	DESIGNED SH	APPROVED RH	DATE JUNE 2015
SCALE AS SHOWN	JOB NO. 10-090	DRG. NO. SA-0023	SEQUENCE 39