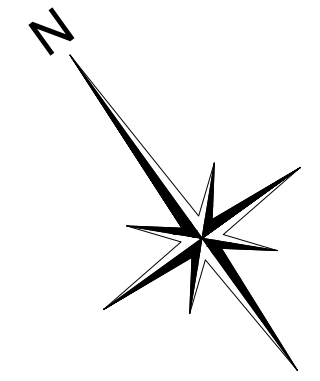


0m 10m 20m 30m 40m

Legend:

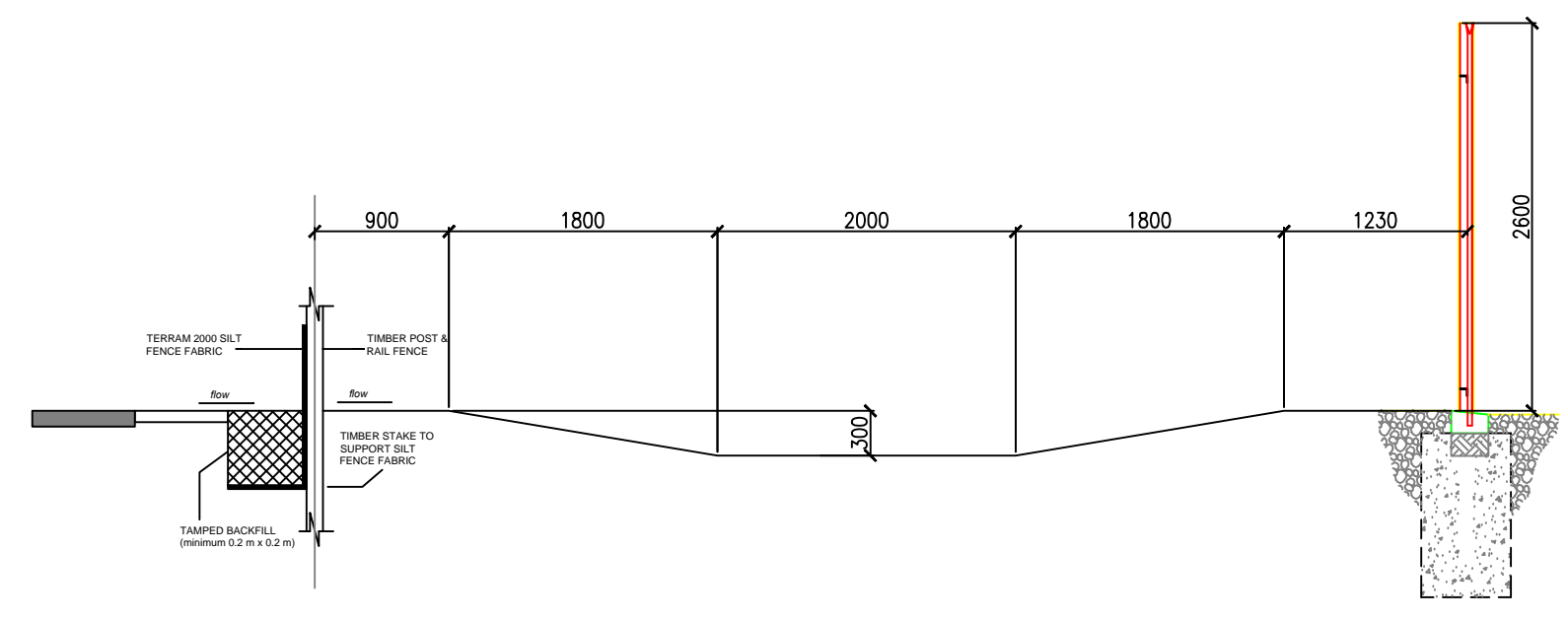
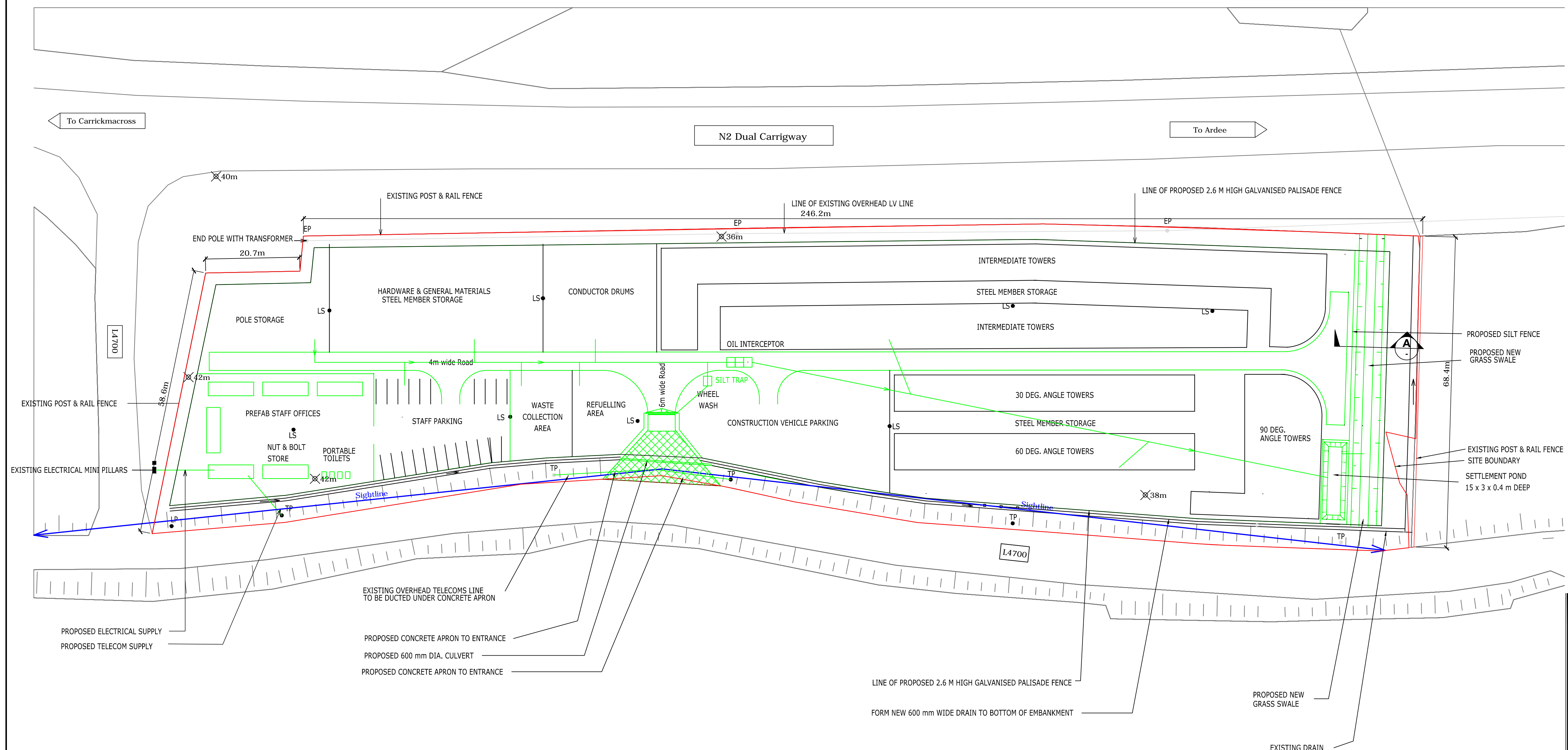
- Proposed Temporary Construction / Material Storage Yard
- EP Electricity Pole
- TP Telecom's Pole
- LS Lamp Standard
- ⊗x xm Existing Ground Level



Notes:

1. Road, Parking and Storage Area surfaces to be constructed using compacted hardcore and binding. Thickness shall range from 100mm to 200mm.
2. Approximate site area 1.4 hectares.
3. Figured dimensions only to be taken from this drawing.
4. Configuration of Staff Facilities Shown is Indicative.
5. Noise Barrier to be Affixed to Palisade Fencing.

Ordnance Survey Ireland Licence No. EN 0023715-19
 Copyright Ordnance Survey Ireland Government of Ireland
 Levels derived from OSI 10m DTM Data. Levels relate to Malin Head.



SECTION A
SCALE 1:50

REV.	DATE	REVISION DESCRIPTION	DRN	PROD	VER	APP
PURPOSE OF ISSUE - PRELIMINARY UNLESS INDICATED						
TENDER <input type="checkbox"/> CLIENT APPROVAL <input type="checkbox"/> CONSTRUCTION <input type="checkbox"/> AS-BUILT <input type="checkbox"/> REVISED <input type="checkbox"/>						
Client:						
Project: North South 400 kV Interconnection Development						
Contract: N/A						
Drawing Title: Proposed Temporary Construction / Material Storage Yard Site Layout Drawing Planning Drawing Reference - MT-009-002						
Production Unit: High Voltage Engineering						
ESB International, Stephen Court, 18-21 St. Stephen's Green, Dublin 2, Ireland. Tel: +353 (0)1 703 8000 Fax: +353 (0)1 703 8088 Email: marketing@esb.ie Web: www.esb.ie ESB International is a trading name of ESB Engineering & Facility Management Limited. Registered Office: as above Registered in Ireland No. 155249						
DRAWN	PRODUCED	VERIFIED	APPROVED	APPRO DATE		
JW	JW	KC	BA	Apr 15		
CLIENT REF: TC211635		No. of Sheets: 1	SIZE: A1	SCALE: 1/500		
DRAWING NUMBER: PE687-D141-140-001-002						

COPYRIGHT © ESSI ENGINEERING & FACILITY MANAGEMENT LIMITED.
 All rights reserved. No part of this work may be modified or reproduced or copied in any form or by any means - graphic, electronic or mechanical, including photocopying, recording, taping or information-retrieval system, or used for any purpose other than its designated purpose, without the written permission of ESSI Engineering & Facility Management Ltd.