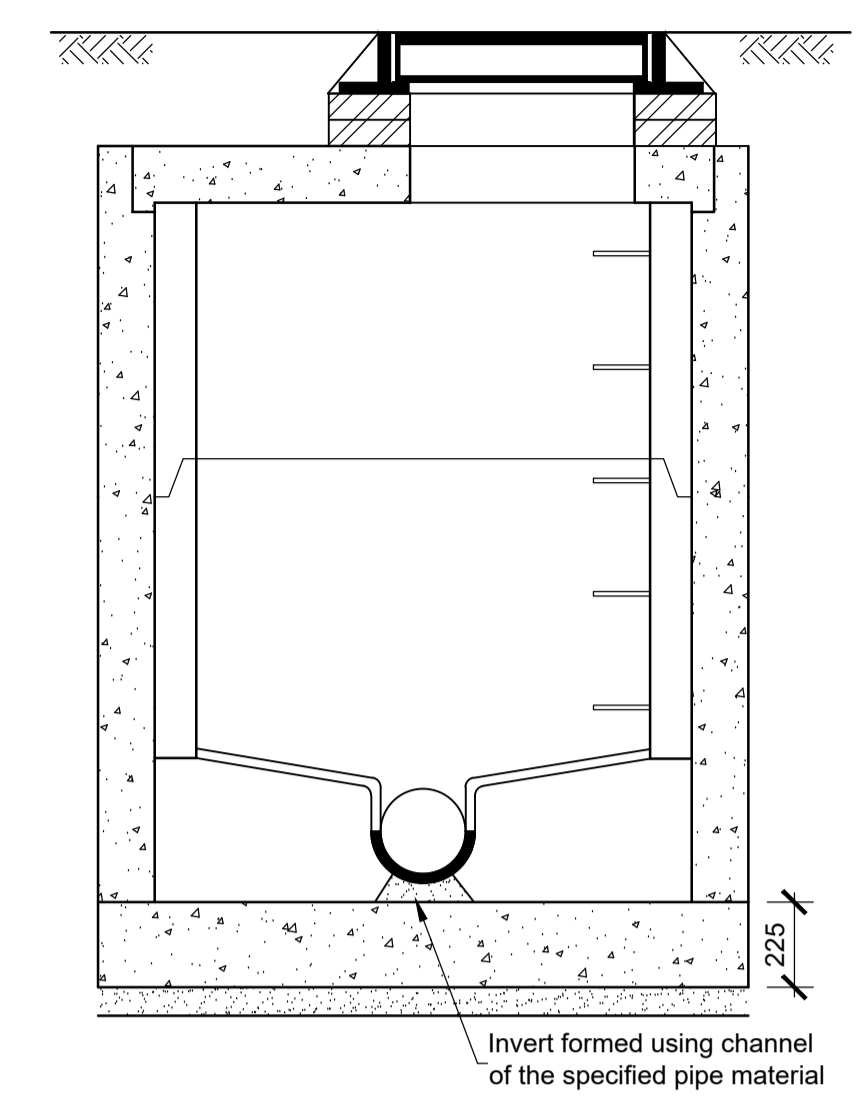
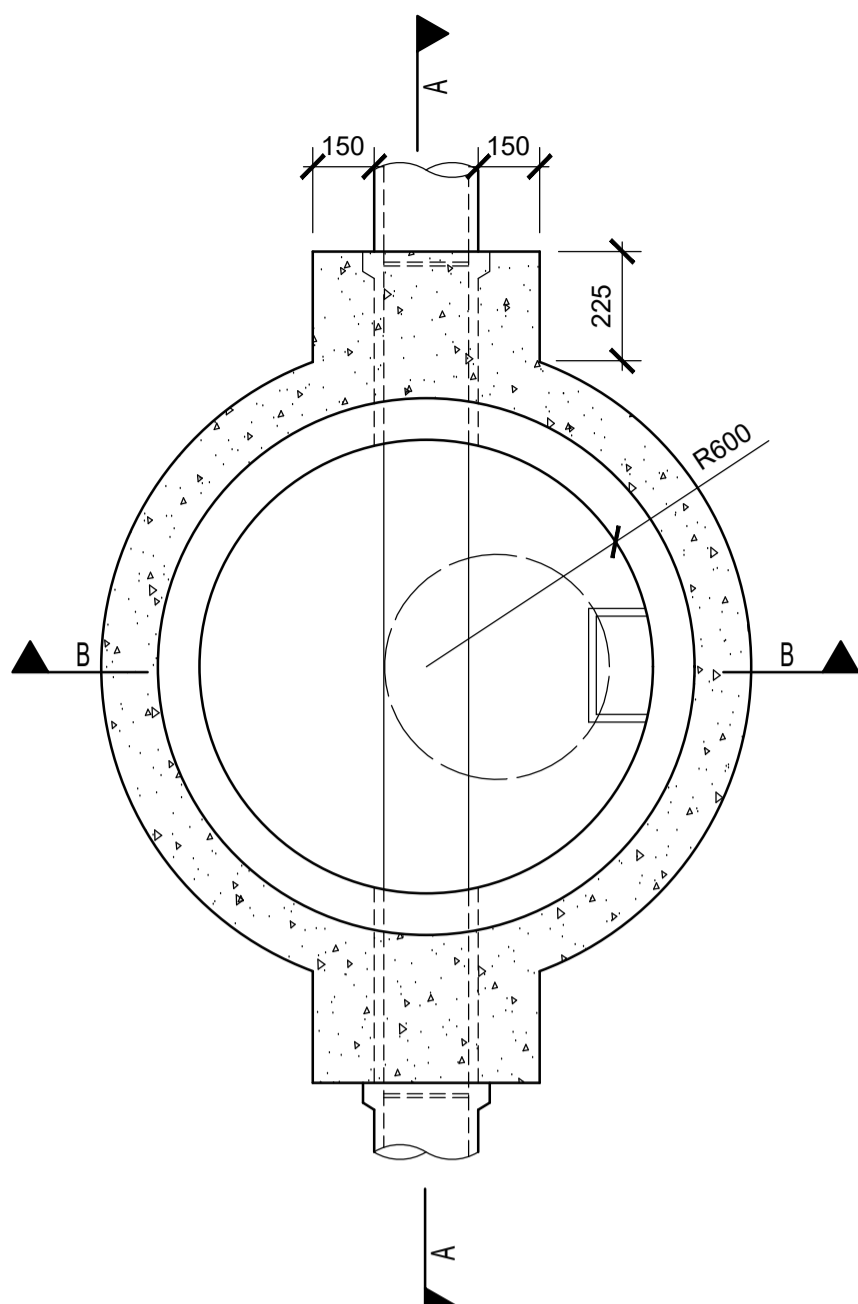


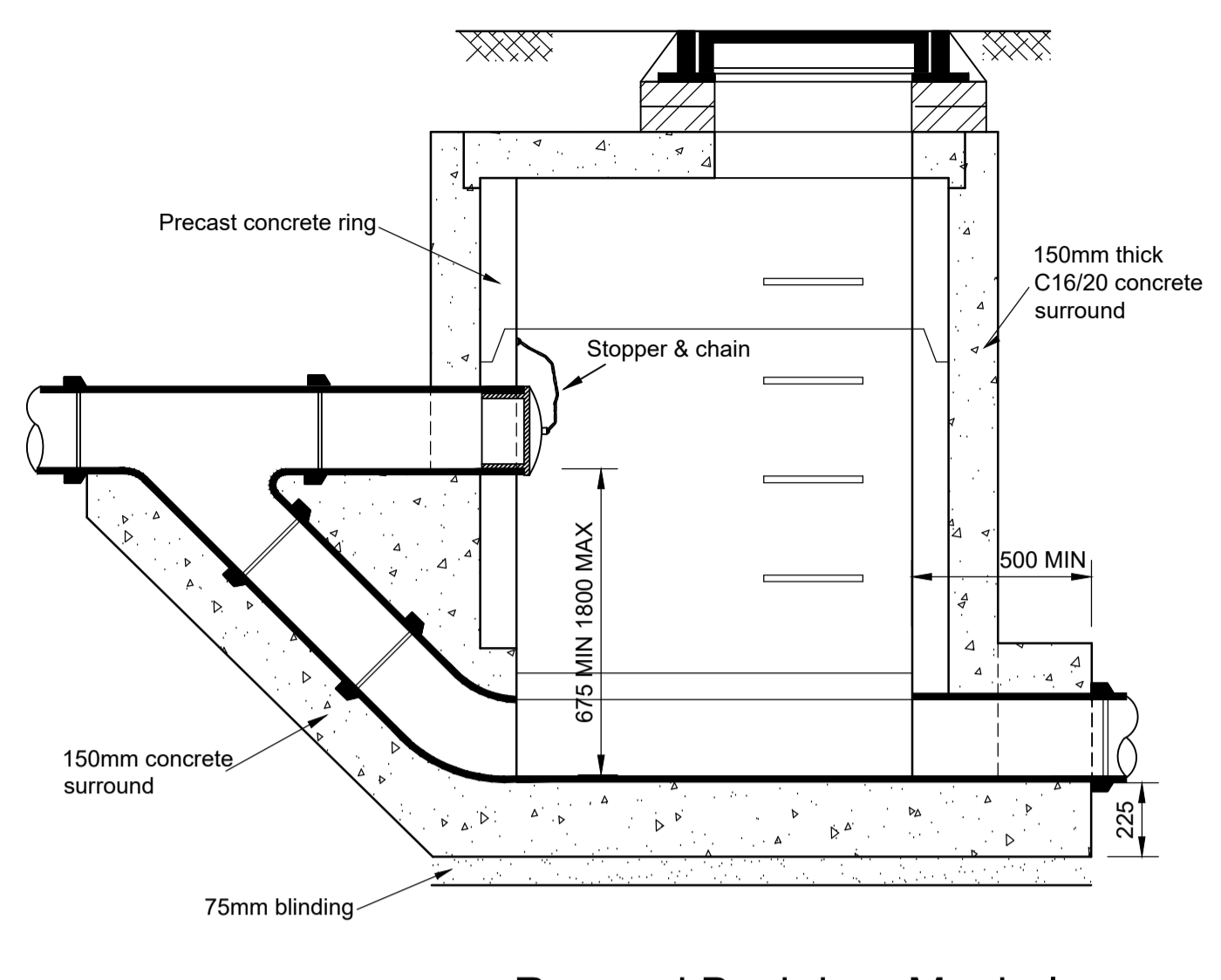
Section A-A



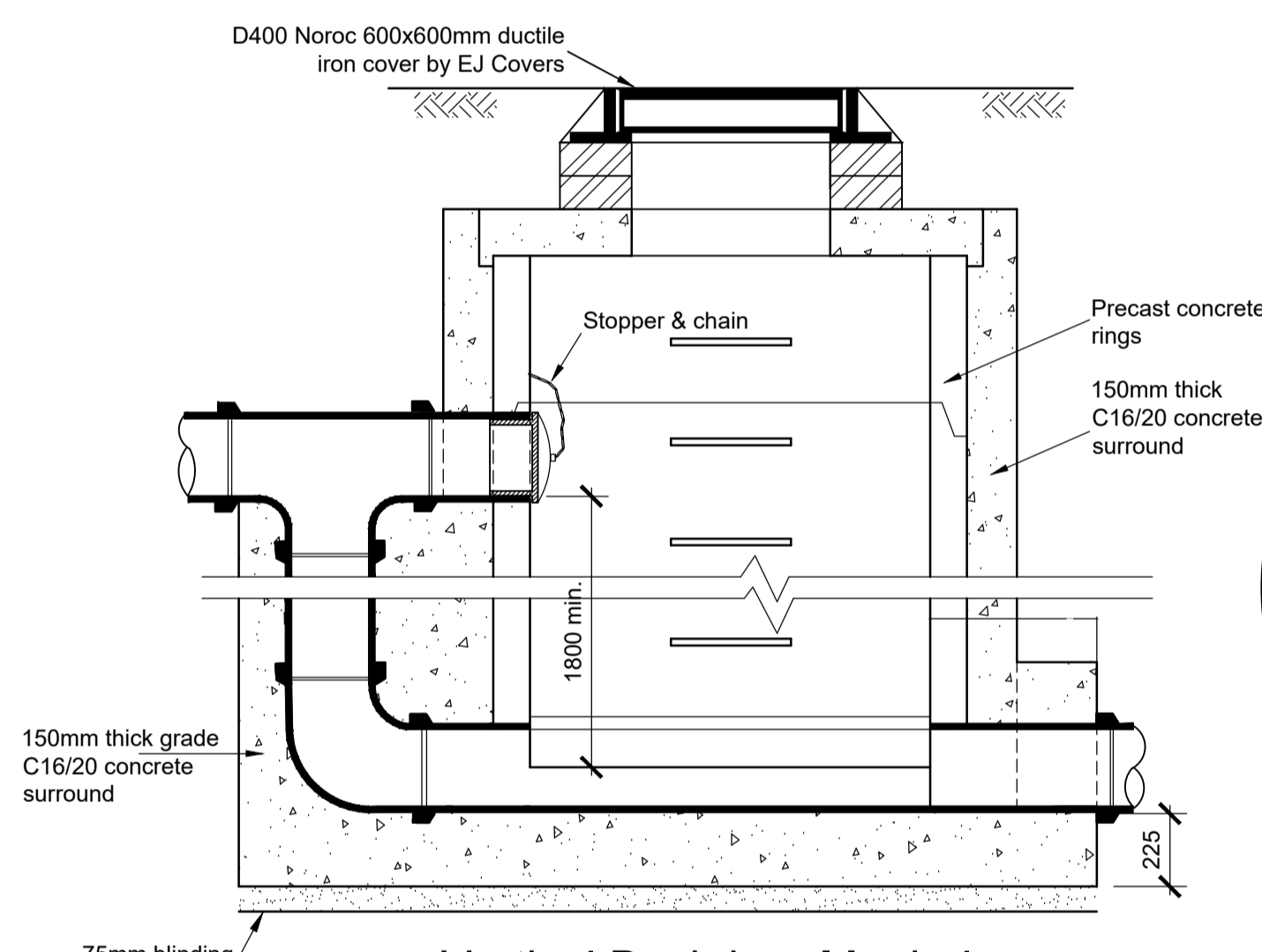
Section B-B
Shallow Precast Concrete Manhole
 (DEPTHS UP TO 3.0m ON PIPES UP TO 300mm DIA.) SCALE 1:20



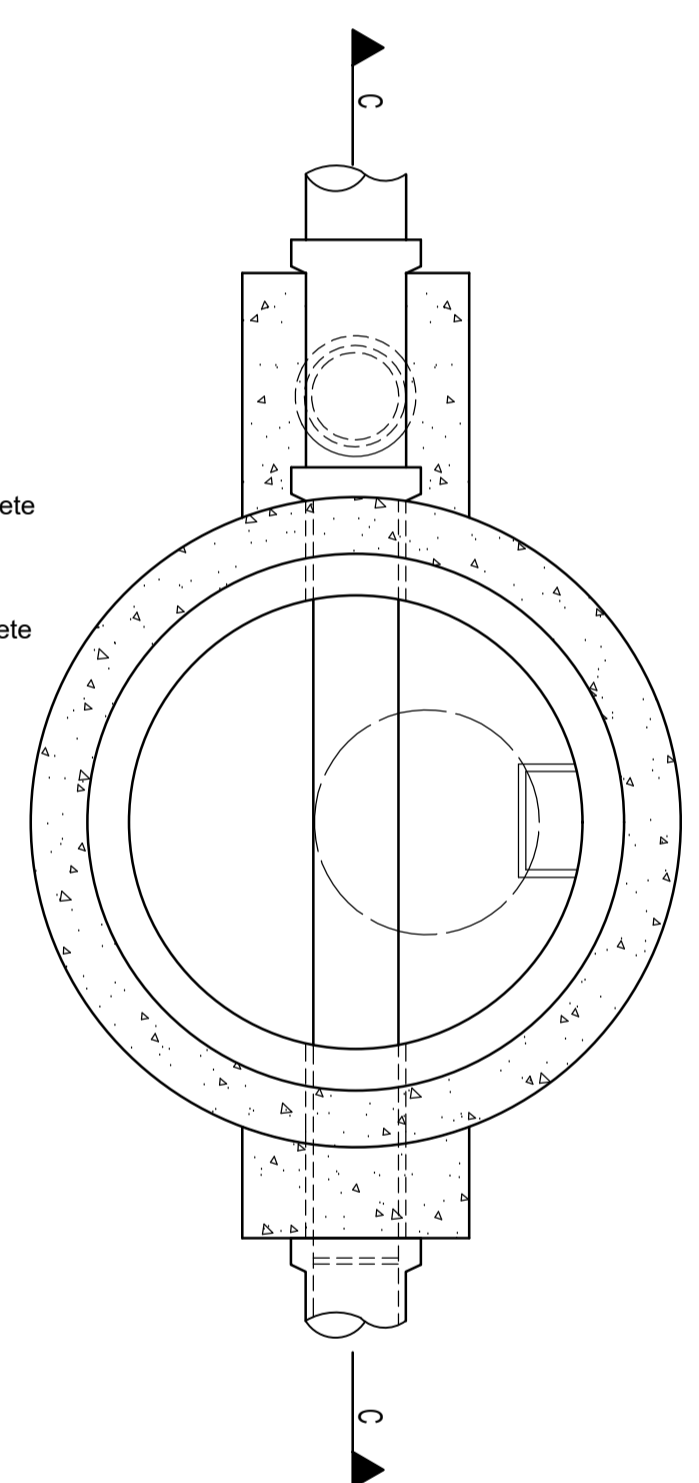
Sectional Plan



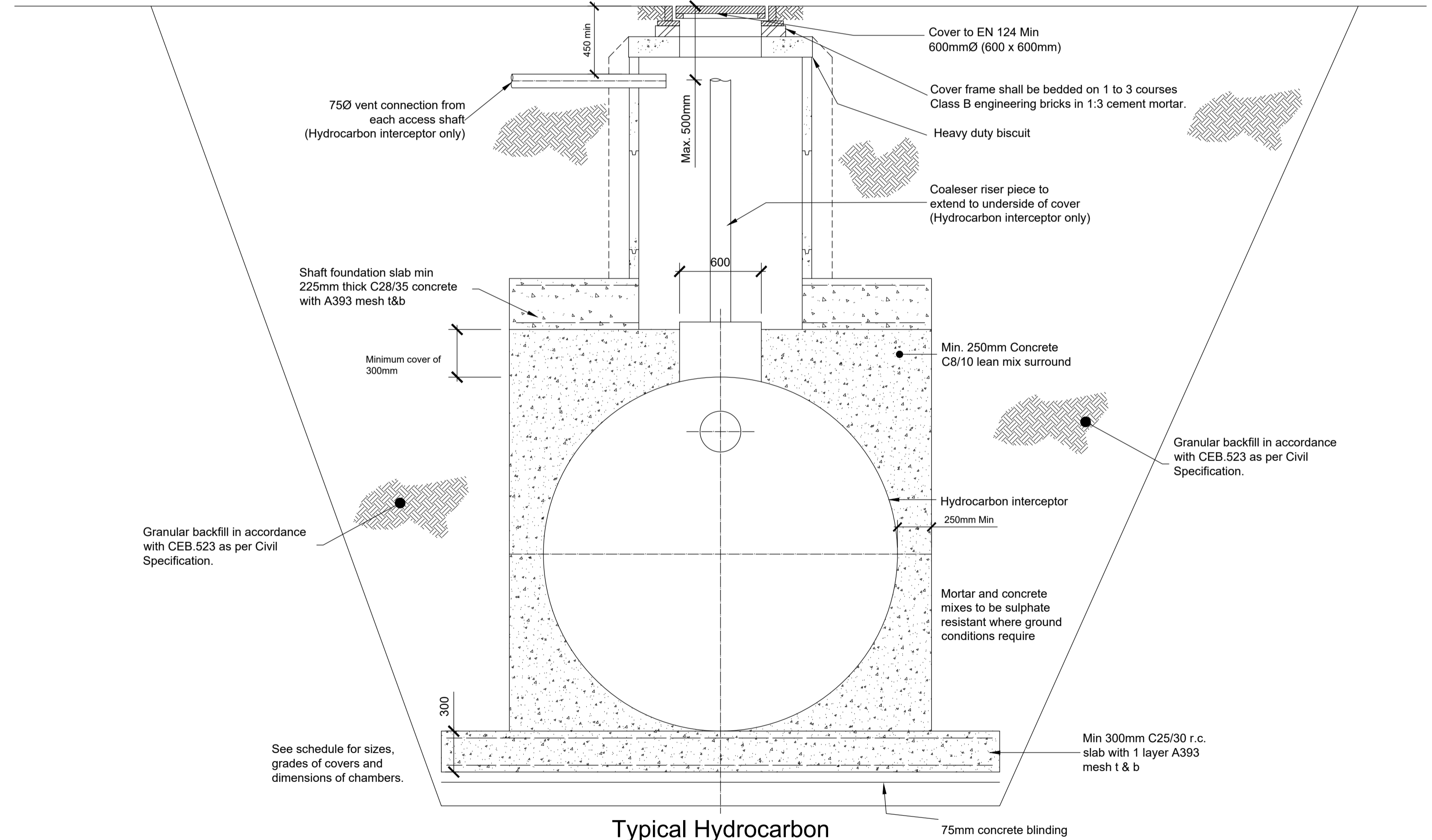
Ramped Backdrop Manhole
Section C-C
 Scale 1:20



Vertical Backdrop Manhole
Section C-C
 Scale 1:20



Vertical Backdrop Manhole
 Scale 1:20



Typical Hydrocarbon Interceptor Installation Detail
 Scale: 1:25

WORKING DRAFT ARUP

PL1	13/03/20	SB	MM	EJL
Issued for Planning				
Rev	Date	By	Chkd	Appd

ARUP
 One Albert Quay
 Cork, Ireland
 Tel +353 (0)21 422 3200
 www.arup.com



Client: GreenLink Interconnector

Project Title: Typical Civil Details
 Sheet 1 of 4

Scale at A1	As Shown
Role	Civil
Suitability	Planning
Arup Job No	246369
Name	C-CS-060
Rev	PL1