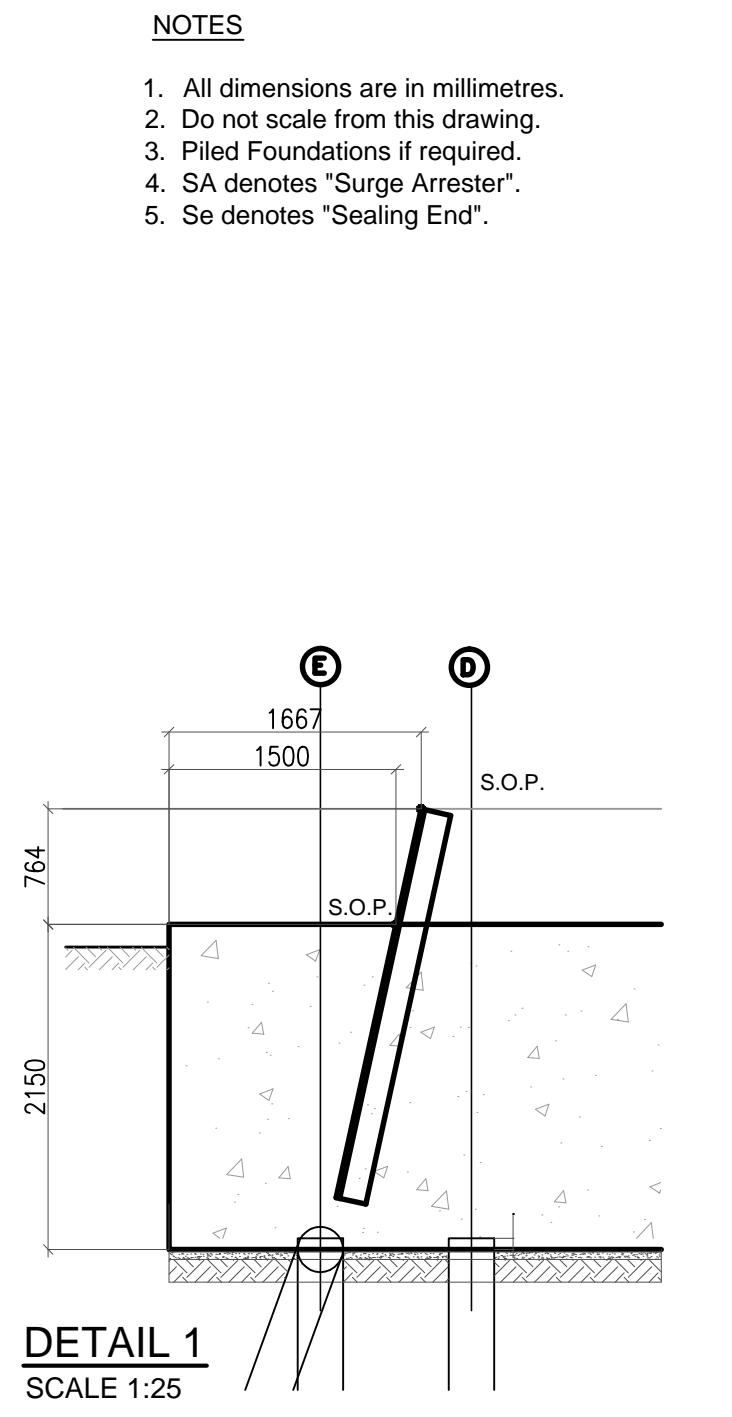
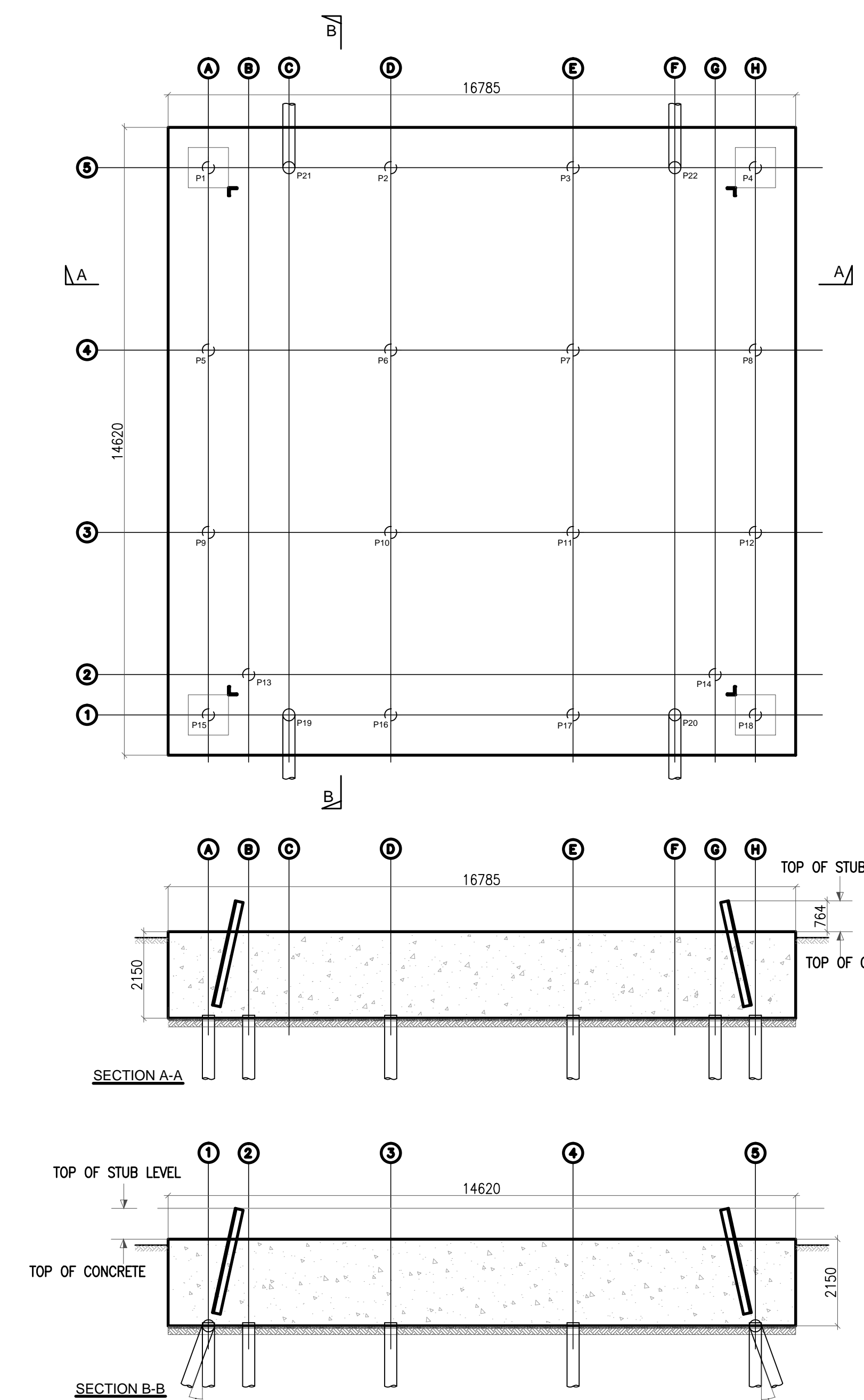
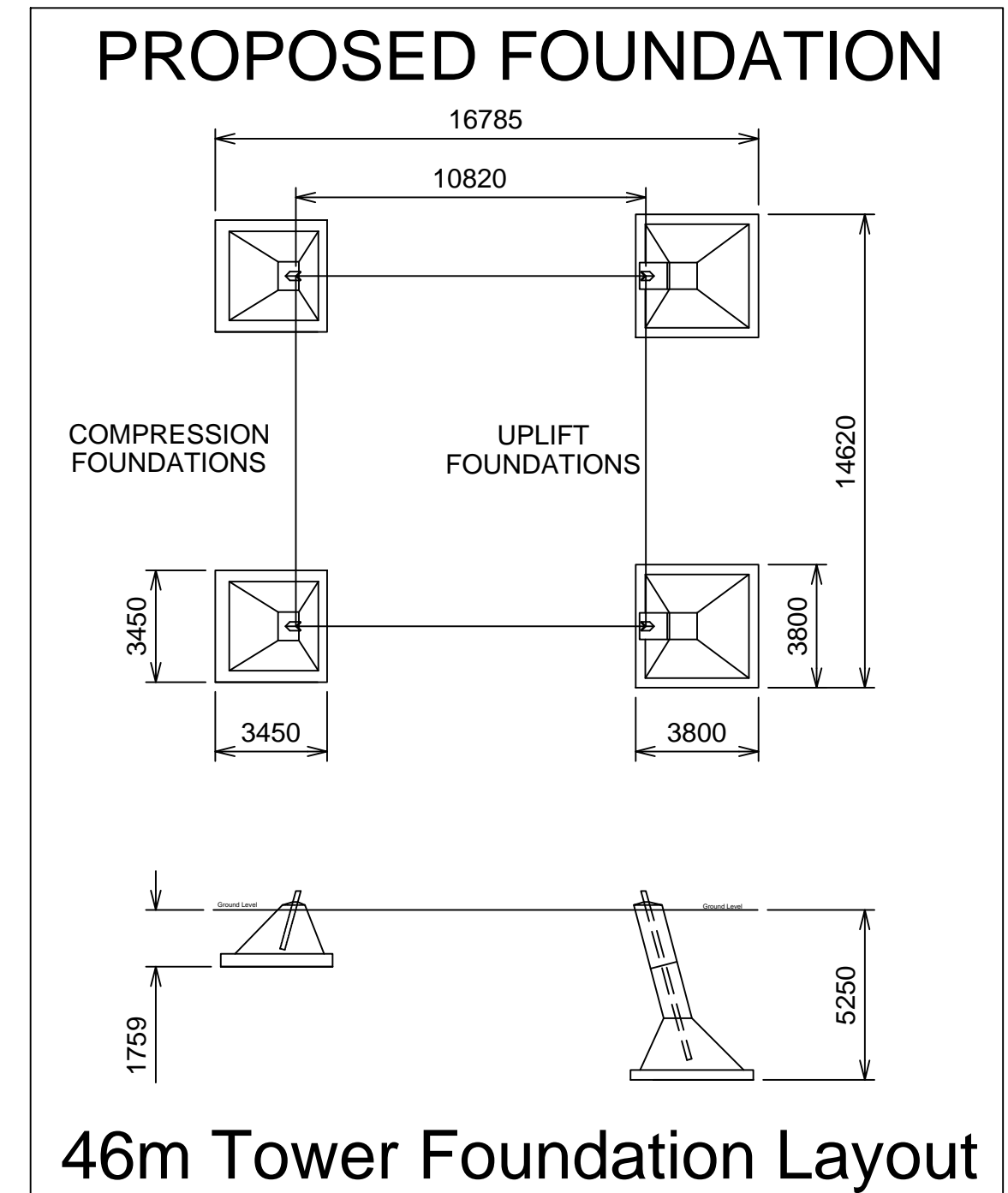


Typical Tower Piled Foundation N.T.S.



- NOTES
1. All dimensions are in millimetres.
 2. Do not scale from this drawing.
 3. Piled Foundations if required.
 4. SA denotes "Surge Arresters".
 5. Se denotes "Sealing End".



Rev	Date	Detail	Made	Chk'd	App'd
Status: PLANNING					
Client:					
Project: TYRONE TO CAVAN INTERCONNECTOR					
Title: TURLEENAN SUBSTATION NORTHERN TERMINAL TOWER DETAILS					
Design:	NIE	CAD:	NIE		
Chk'd:	NIE	App'd:	NIE		
Date:	03/03/13	Scale:	1:100		
No. 60032220 00 105					
cm					