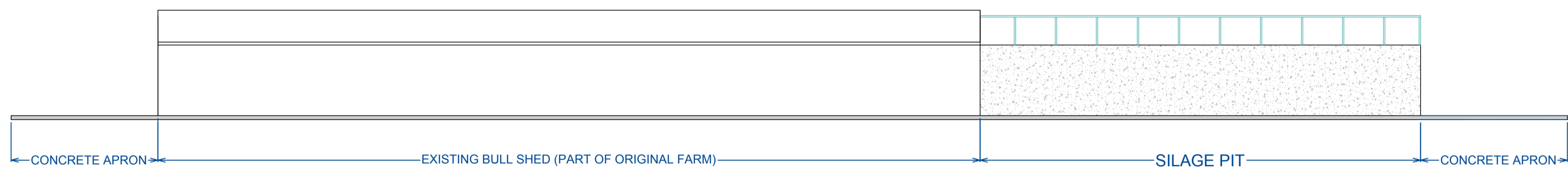
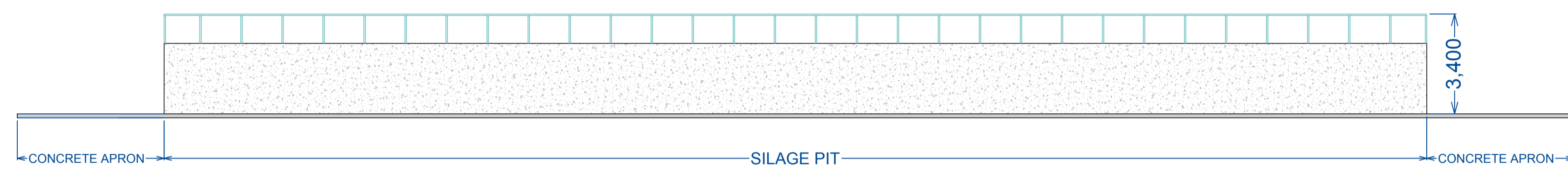


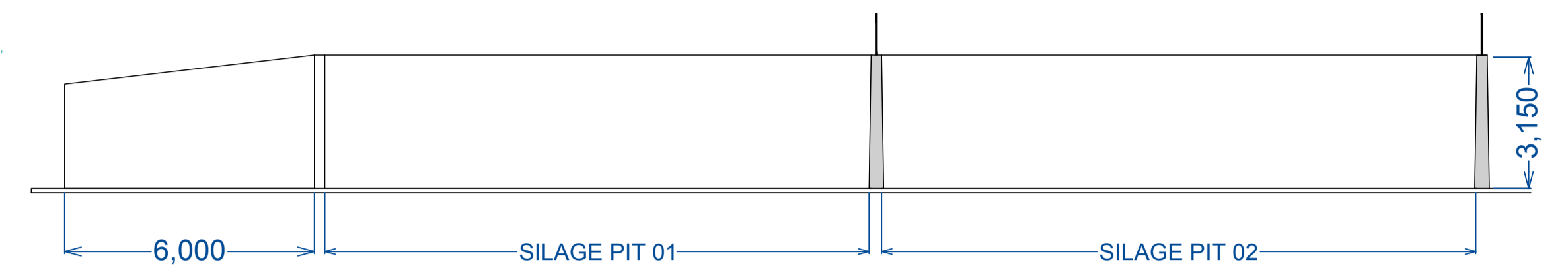
EXISTING SILAGE PIT & APRON



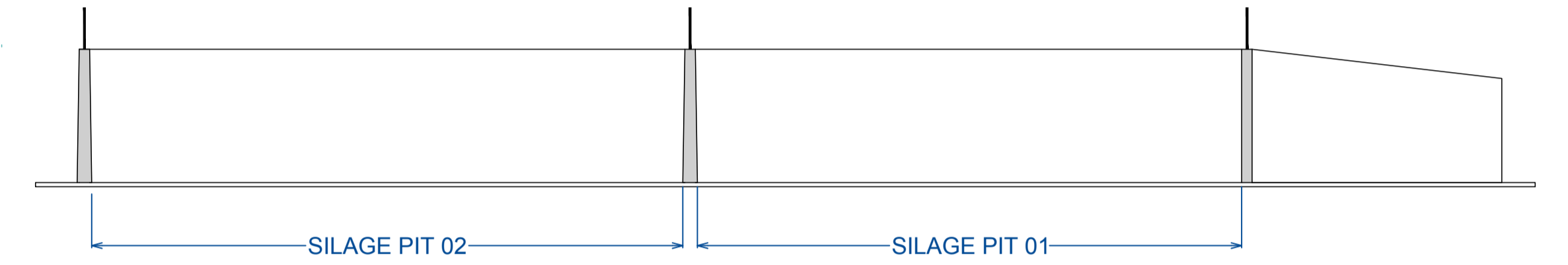
SIDE ELEVATION FACING EAST
SCALE 1:100



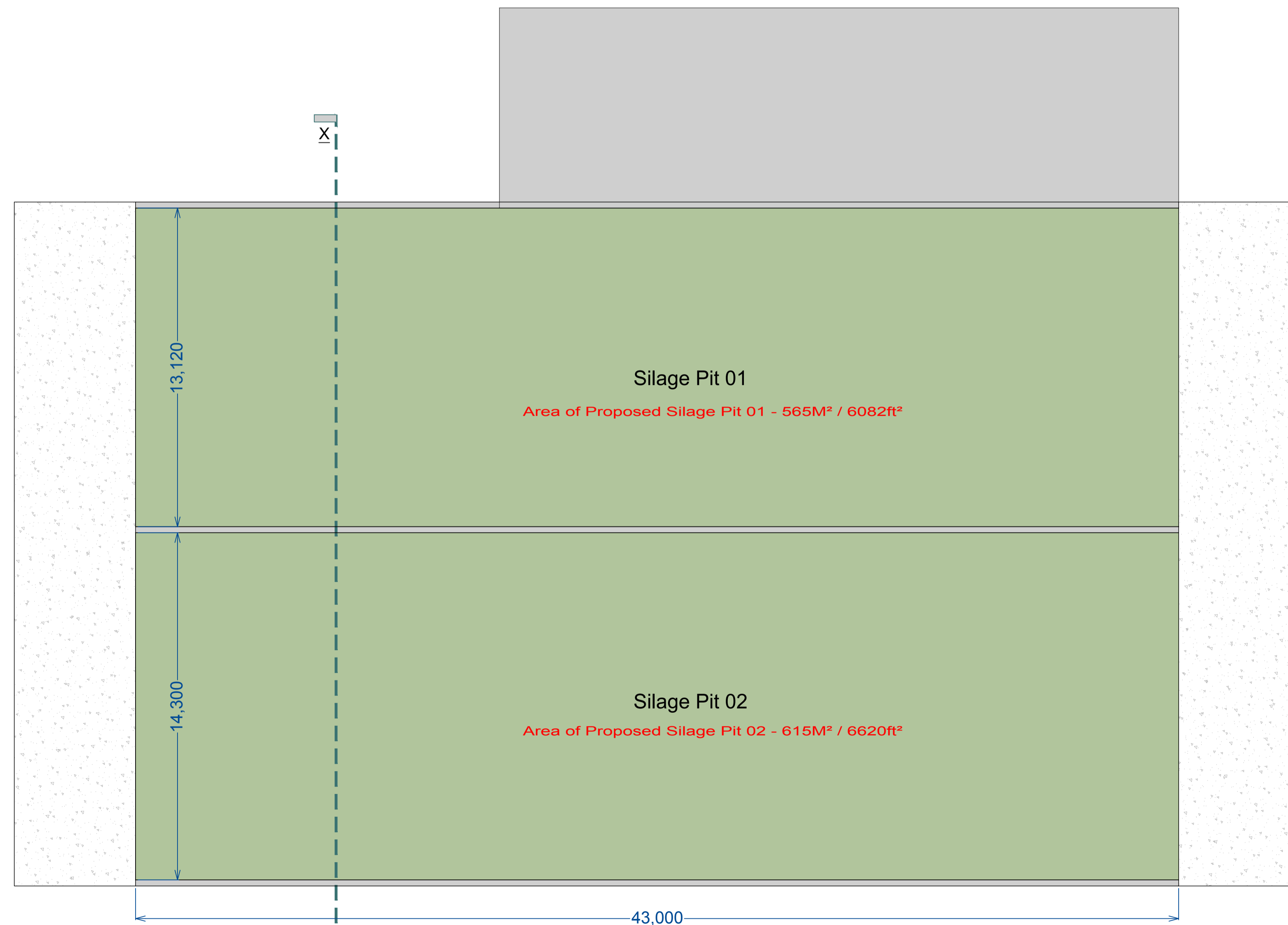
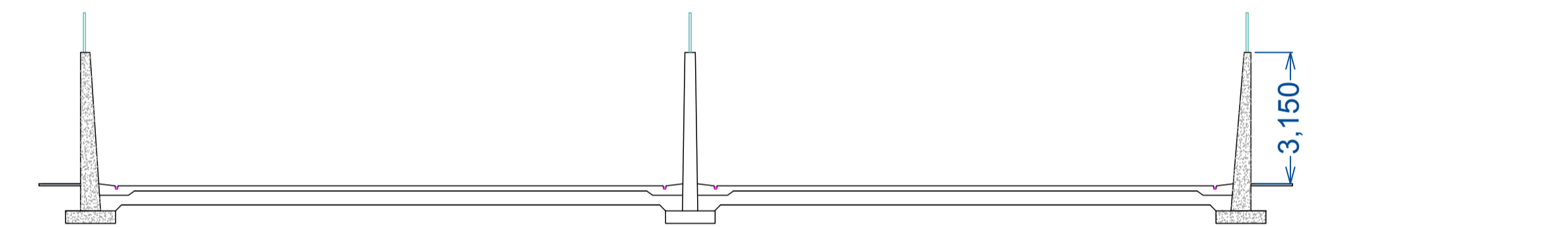
SIDE ELEVATION FACING WEST
SCALE 1:100



REAR ELEVATION FACING NORTH
SCALE 1:100

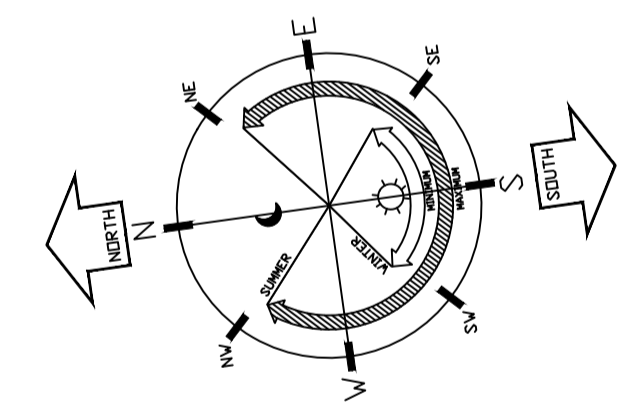


FRONT ELEVATION FACING SOUTH
SCALE 1:100



FLOOR PLAN
SCALE 1:100

Total Area of Existing Silage Pit - 1180M² / 12701ft²



DRAWING FOR PLANNING PURPOSES ONLY

| | | |
|-----------|-------|----------|
| 2. | | |
| 1. | | |
| Revision: | Date: | Comments |

JKD
JK Design
Architectural Drawing, Design and Planning
Tullamoy, Stradbally, Co. Laois
Mobile: 086 3640366
E-mail: j.kilbride@jkdesign.ie

| | |
|--------------|------------------------------|
| title:- | EXISTING SILAGE PITS & APRON |
| client:- | MARK ROCHFORD, FOREST FARM |
| scale:- | 1:120 ON A1 |
| drawn:- | db jk |
| date:- | 21-05-2024 |
| drawing No:- | 2024-585-007 |

Job: DEVELOPMENT AT FOREST FARM
MOUNTMELICK,
Co. LAOIS